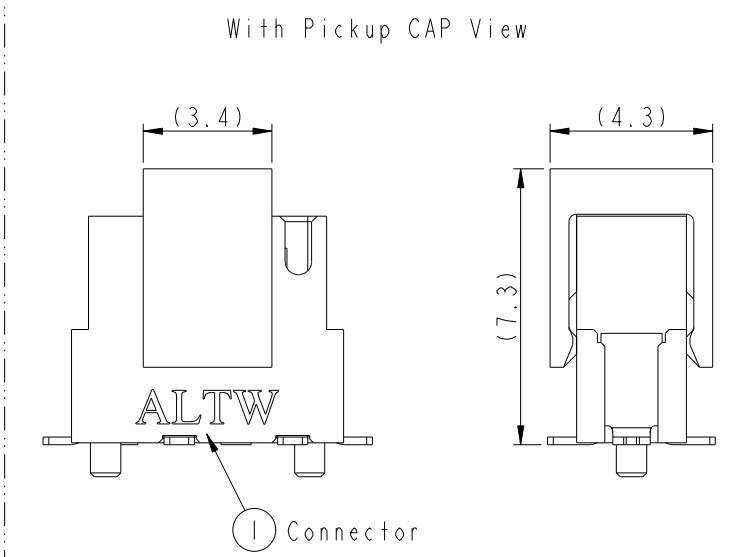
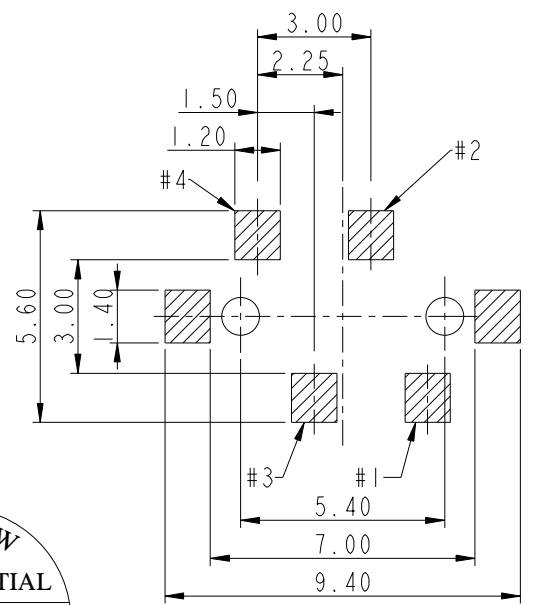
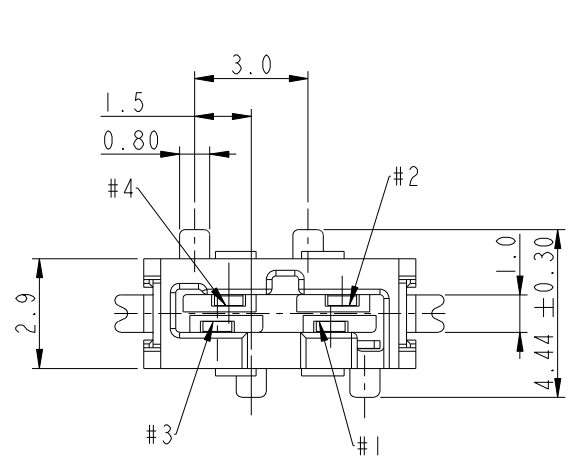


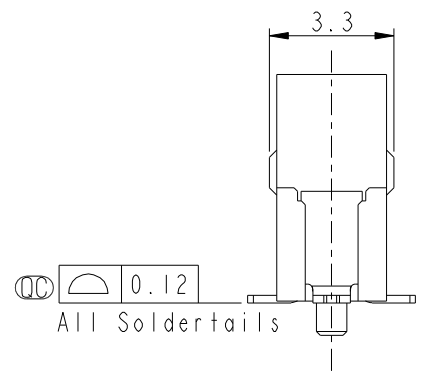
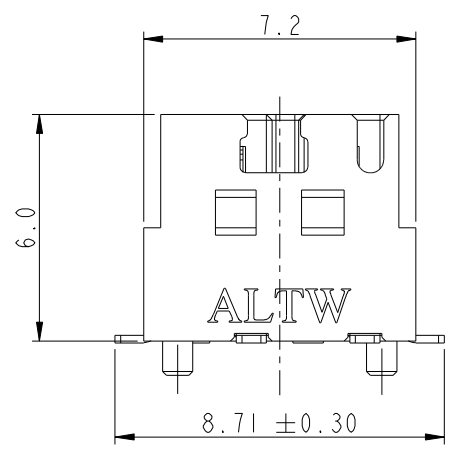
THIS DOCUMENT IS SUBJECT TO CHANGE WITHOUT NOTICE. IT IS CONFIDENTIAL AND A PROPERTY OF Amphenol LTW. DISCLOSURE TO THIRD PARTY HAS TO BE AUTHORIZED BY Amphenol LTW.

REV.	ECN NO.	DATE	SIGN	DESCRIPTION
B	CI91496	2019-08-27	NianPing Yu	Add UL Label
C	CI92063	2019-12-03	NianPing Yu	△XI



ALTW
CONFIDENTIAL
2019-12-03
R&D DEPT.

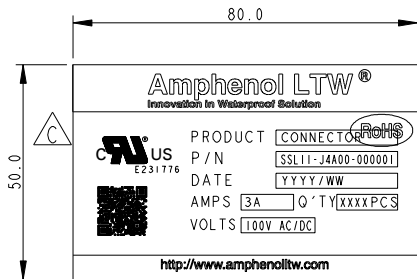
RECOMMENDED P.C.B. LAYOUT
GENERAL TOLERANCE IS ±0.05



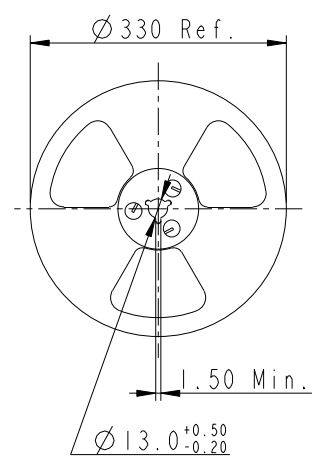
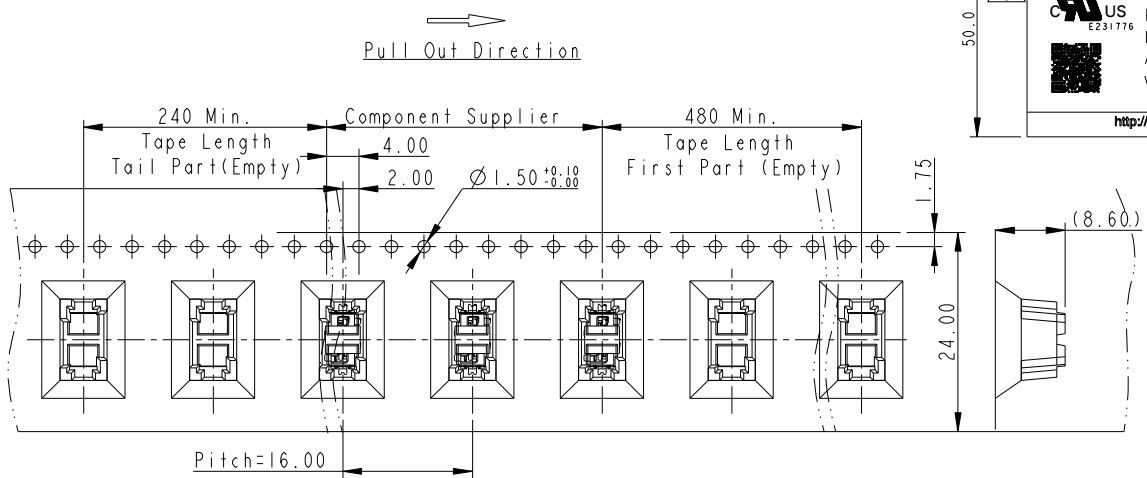
- Notes:
- * Ⓞ Important Dimension To Check.
 - * Housing: High temperature thermoplastic. UL94V-0, color is Natural white.
 - * Pickup Cap: High temperature thermoplastic. UL94V-0, color is Natural white.
 - * Terminal: Copper Alloy, Gold Plated on contact area. Tin plated on solder tails.
 - * Solder Peg: Copper Alloy, Tin plated over Nickel.

UNIT:mm		TITLE SSL-1.1 DC 4P JACK CONN, WITH POST,S/T,SMT TYPE		Amphenol LTW 安費諾亮泰企業股份有限公司		ITEM NO	DRAWN BY	DATE
		SCALE 5:1	SIZE A4			SHEET 1 OF 2	SSL11-J4A00-000001	NianPing Yu
TOLERANCE .X ±0.25 .XX ±0.1 .XXX ±0.05 ANGLES ±1°		REV. C	WC-REV. A.3	Ⓞ : Inspection item		DWG NO	CHECKED BY	DATE
						SSL11-J4A00-000001	Fisher Wang	2019-08-27
						CUSTOMER	APPROVED BY	DATE
						ALTW	Max Yang	2019-08-27

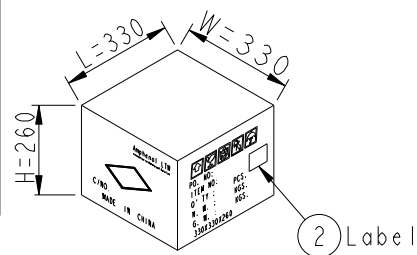
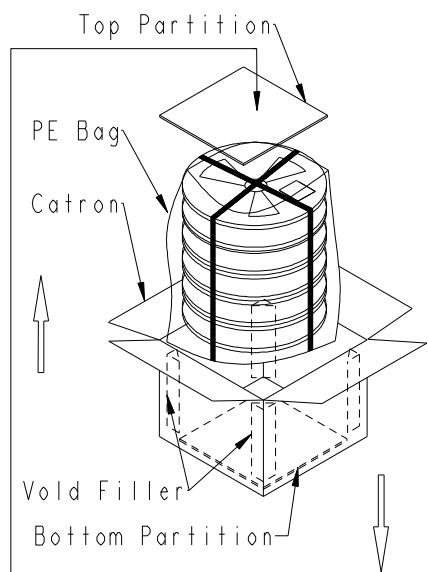
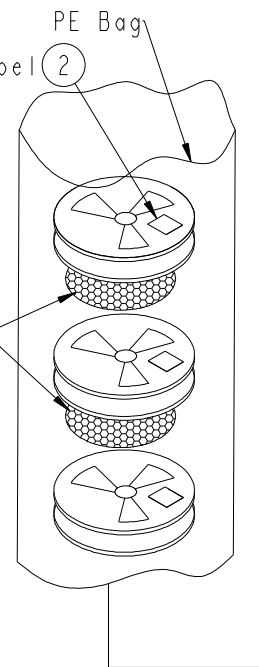
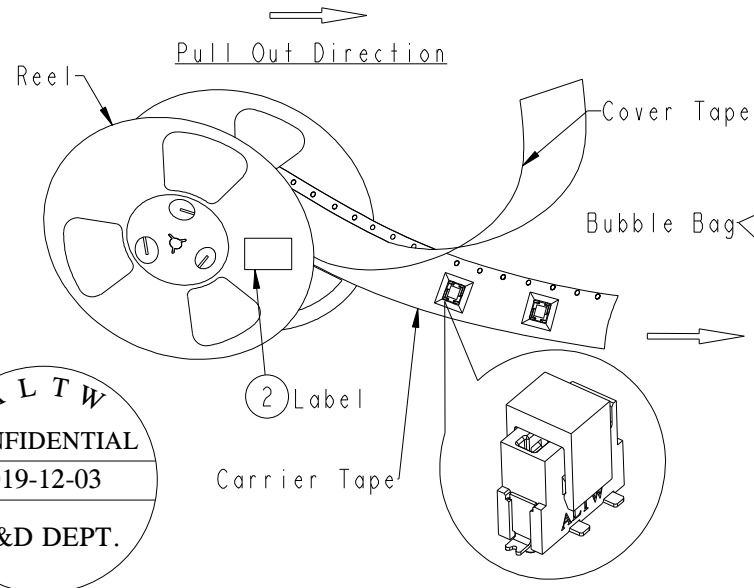
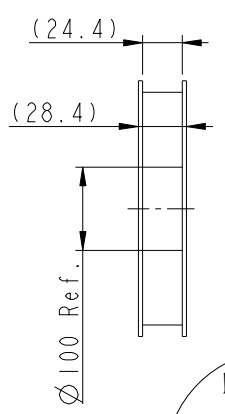
THIS DOCUMENT IS SUBJECT TO CHANGE WITHOUT NOTICE. IT IS CONFIDENTIAL AND A PROPERTY OF Amphenol LTW. DISCLOSURE TO THIRD PARTY HAS TO BE AUTHORIZED BY Amphenol LTW.



- MATERIALS**
1. Carrier Tape: Polystyren (PS)
 2. Cover Tape: Polystyren (PS)
 3. Reel: Polystyren (PS)
- QUANTITY**
1. 400Pcs Per Reel
 2. 8 Reel Per Carton (3200Pcs/Carton)
 3. Reference Standard: EIA-481-D
 4. Net Weight: 0.7Kg/Carton.
 5. Gross Weight: 4.1Kg/Carton.



Reel for Carrier Tape



ALTW
CONFIDENTIAL
2019-12-03
R&D DEPT.

UNIT: mm		
TOLERANCE	.X	±0.25
	.XX	±0.1
	.XXX	±0.05
ANGLES		±1°

TITLE SSL-1.1 DC 4P JACK CONN, WITH POST,S/T,SMT TYPE		
SCALE 5:1	SIZE A4	SHEET 2 OF 2
REV. C	WC-REV. A.5	QC: Inspection item

Amphenol LTW
安費諾亮泰企業股份有限公司

ITEM NO SSL11-J4A00-000001	DRAWN BY NianPing Yu	DATE 2019-08-27
DWG NO SSL11-J4A00-000001	CHECKED BY Fisher Wang	DATE 2019-08-27
CUSTOMER ALTW	APPROVED BY Max Yang	DATE 2019-08-27

DATE 2019-08-27
DATE 2019-08-27
DATE 2019-08-27