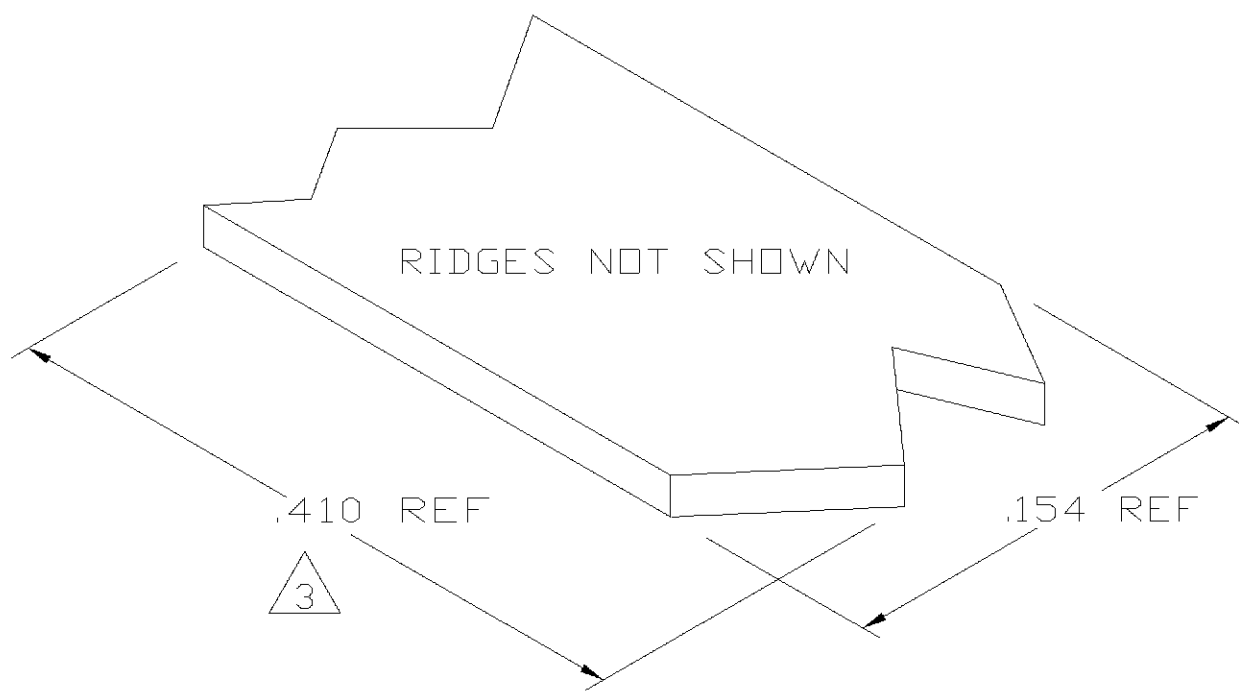
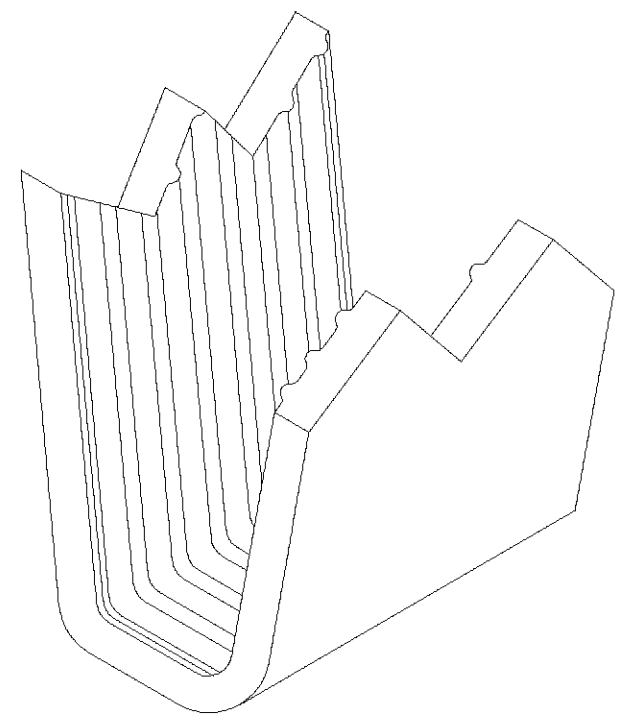
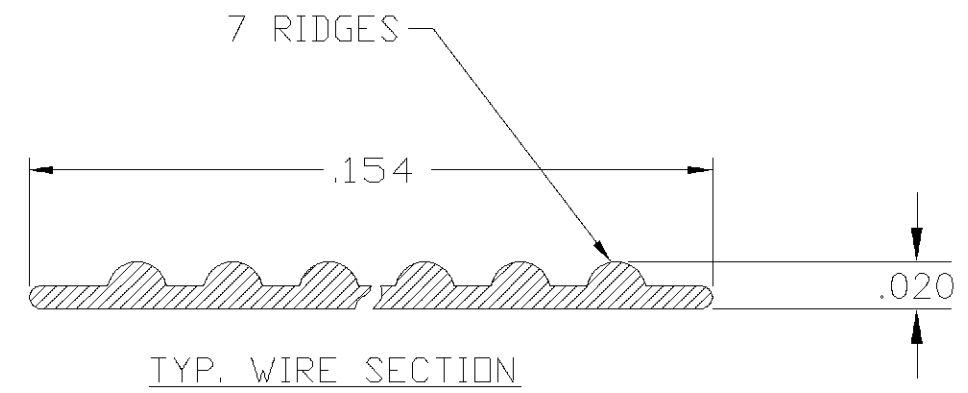


THIS DRAWING IS UNPUBLISHED. RELEASED FOR PUBLICATION
 © COPYRIGHT BY TYCO ELECTRONICS CORPORATION. ALL RIGHTS RESERVED.

LOC	DIST	REVISIONS			
P	LTR	DESCRIPTION	DATE	DWN	APVD
AF	50	0	TRANSFERED TO TYCO FORMAT	11APR02	MF EH



- 1 CRIMPBAND MATERIAL PROVIDED IN CONTINUOUS STRIP.
- 2 THIS PART NUMBER WAS AMTRONICS NUMBER L092/125-D20B.
- 3 BLANK LENGTH DETERMINED BY 092/125 TOOLSET.



PARTIAL FORMED VIEW (REF)
 FORMED BY APPLICATION TOOLING

1601681-1
 PART NUMBER

THIS DRAWING IS A CONTROLLED DOCUMENT.		DWN MICHAEL S. FEHER 11APR2002	Tyco Electronics Corporation Harrisburg, PA 17105-3608			
DIMENSIONS: INCHES	TOLERANCES UNLESS OTHERWISE SPECIFIED:	CHK EDWARD HOWARD 11APR2002	NAME -			
	0 PLC ± -	APVD EDWARD HOWARD 11APR2002	PRODUCT SPEC -			
	1 PLC ± -	PRODUCT SPEC	APPLICATION SPEC -			
MATERIAL UNS C26000 BRASS	FINISH NONE	WEIGHT	SIZE A3	CAGE CODE 00779	DRAWING NO C-1601681	RESTRICTED TO -
		CUSTOMER DRAWING	SCALE 1:1	SHEET 1 OF 1	REV 0	