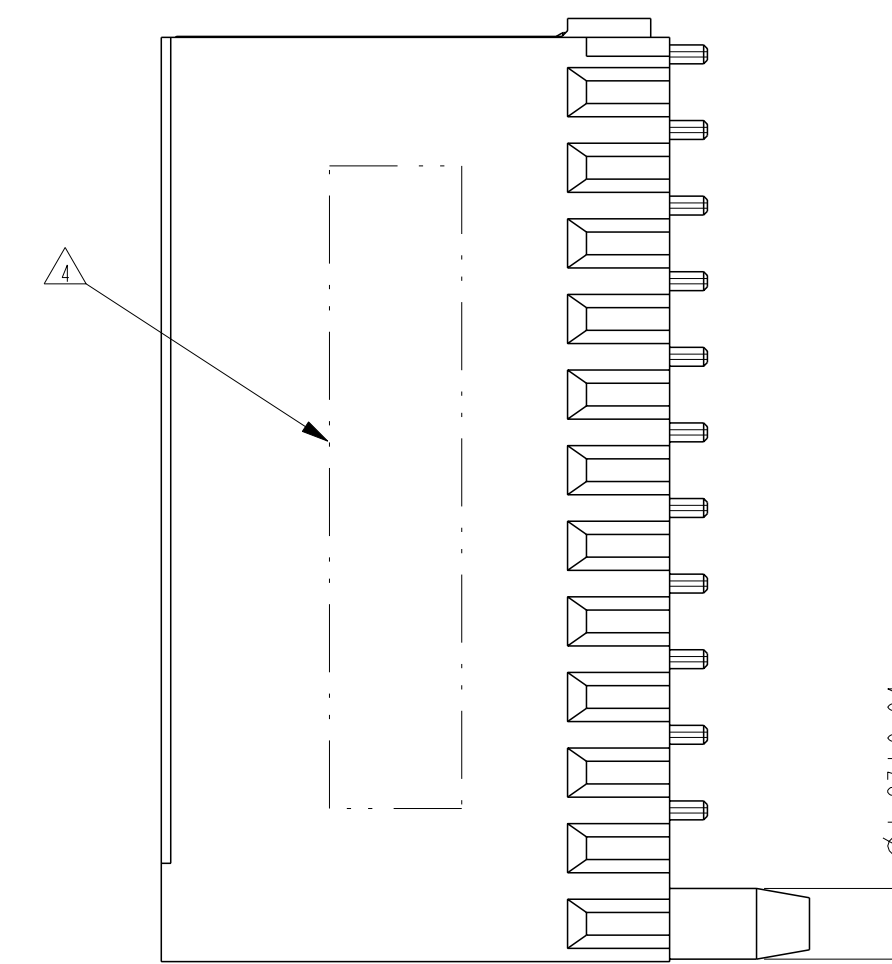
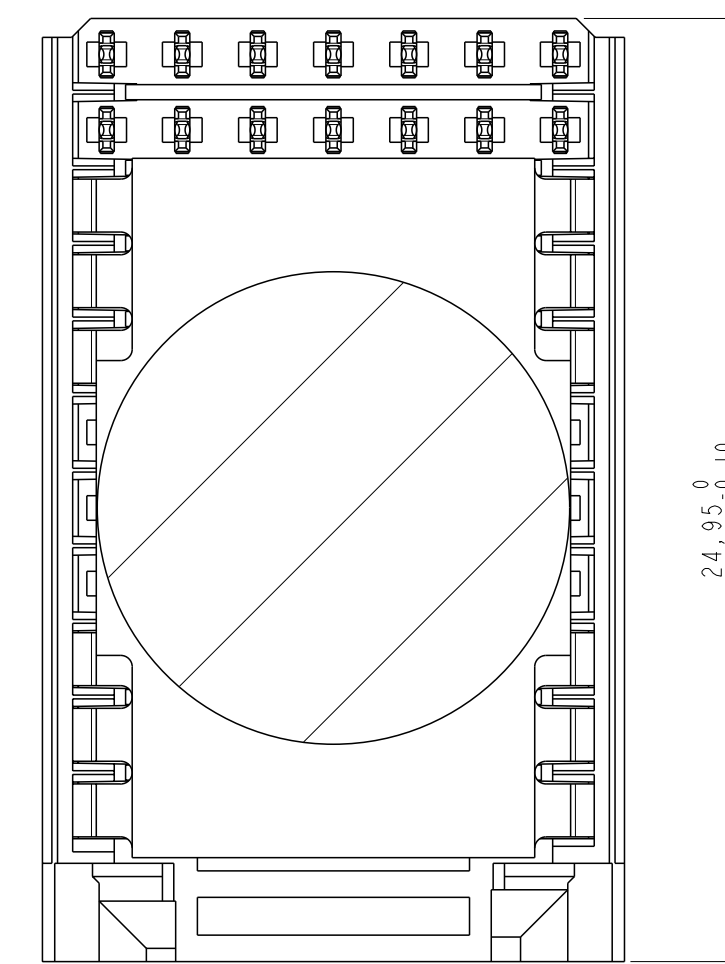
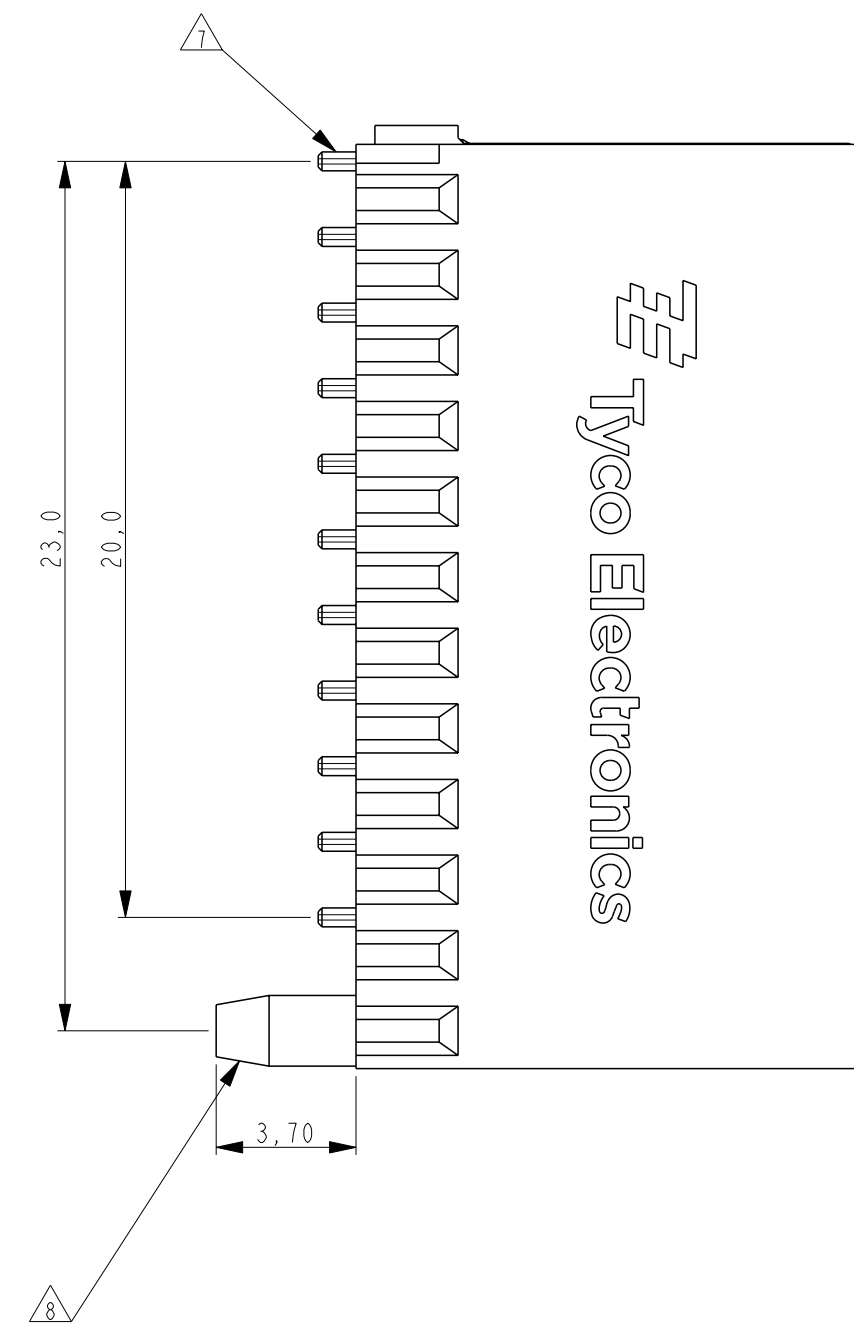
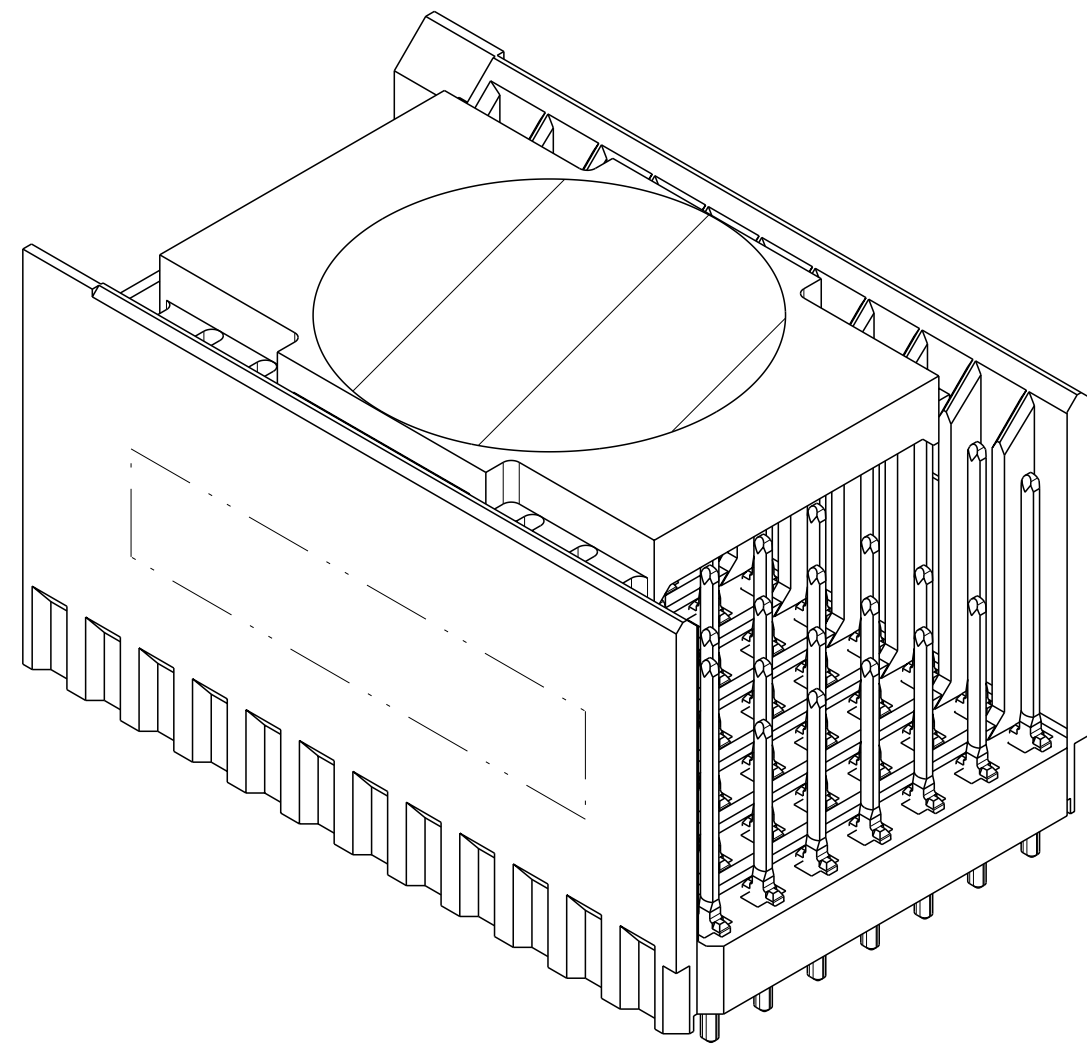


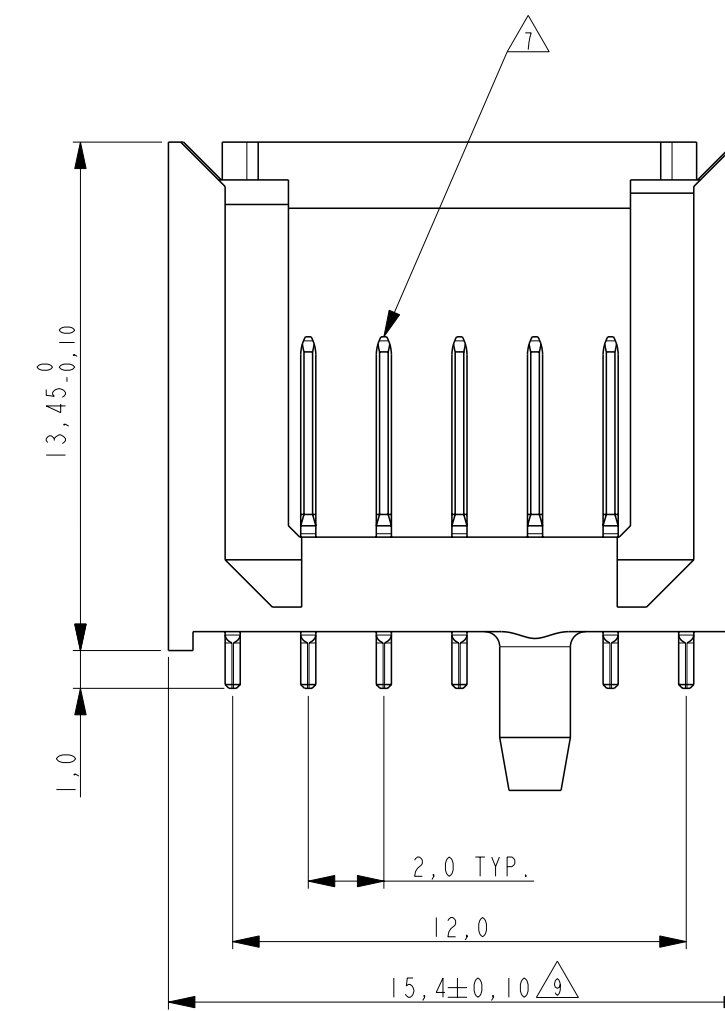
CONNECTOR ASSEMBLY
 EXAMPLARY LOADED Δ

LOC	DIST	REVISIONS					
H	-	P	LTB	DESCRIPTION	DATE	DWN	APVD
		A		RELEASED PER ECR-11-006627	30MAR2011	JvdH	TdB



NOTES:

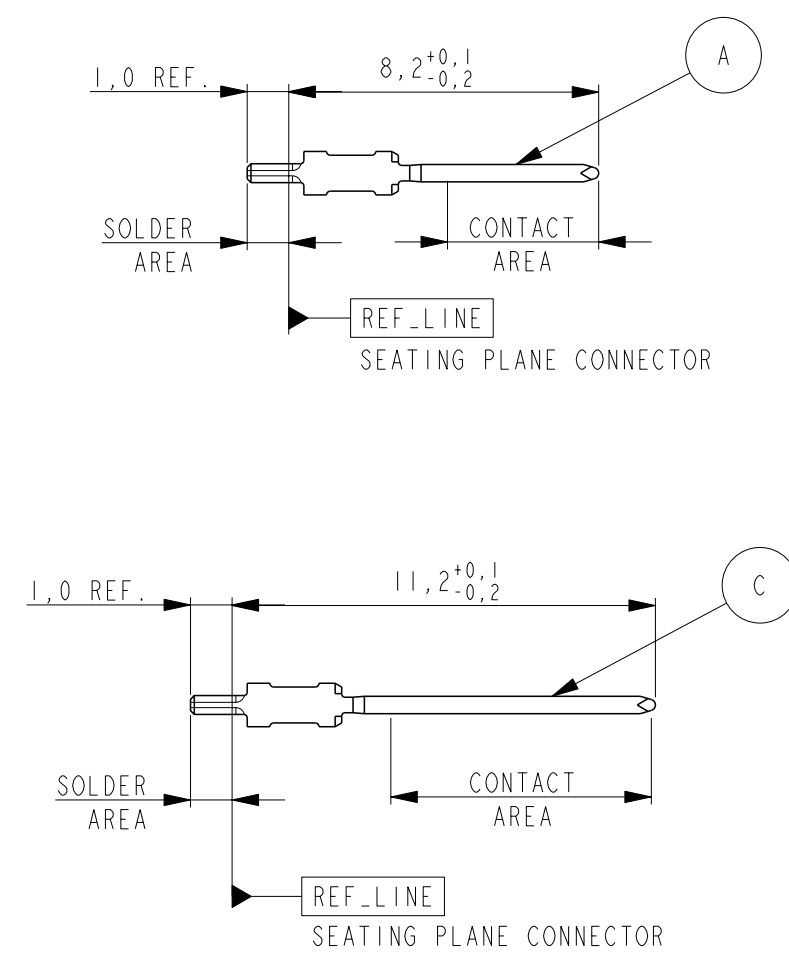
- Δ MATERIAL HOUSING: BLACK CLASSFILLED LCP.
MATERIAL SIGNAL CONTACTS: PHOSPHORBRONZE.
- Δ GENERAL SIGNAL CONTACT PLATING SPECIFICATION: UNDERPLATING (ENTIRE CONTACT): 1,27µm NICKEL MIN. AND ACTION PIN: 0,5µm TIN-LEAD MIN. FOR PLATING OF MATING SURFACES SEE APPLICABLE SPECIFICATION REFERENCE FOR EACH DASH NUMBER.
- Δ CONFORMS TO ALL TESTING ACCORDING IEC 61076-4-101 PERFORMANCE LEVEL 2
- Δ CONNECTOR MARKED WITH PARTNUMBER AND DATE CODE. ADDITIONAL CHARACTERS OR MARKINGS, AS WELL AS THE LOCATION OF THE MARKINGS, MAY BE ADDED FOR TRACEABILITY BASED UPON MANUFACTURERS DISCRETION.
- Δ PLATED THROUGH HOLES AT 2x2mm SQUARE GRID PATTERN DEFINED BY CONTACT LAYOUT.
- Δ FOR ACTUAL PIN LOADING SEE "CONTACT LAYOUT".
- Δ FOR ACTUAL PIN DIMENSIONS SEE "CONTACT DIMENSIONS".
- Δ POLARIZATION FEATURE.
- Δ TO BE MEASURED AT BOTTOM OF SHROUD.
- Δ NOT PLATED THROUGH HOLE.
- || PACKAGING INFO ON SHEET 2.



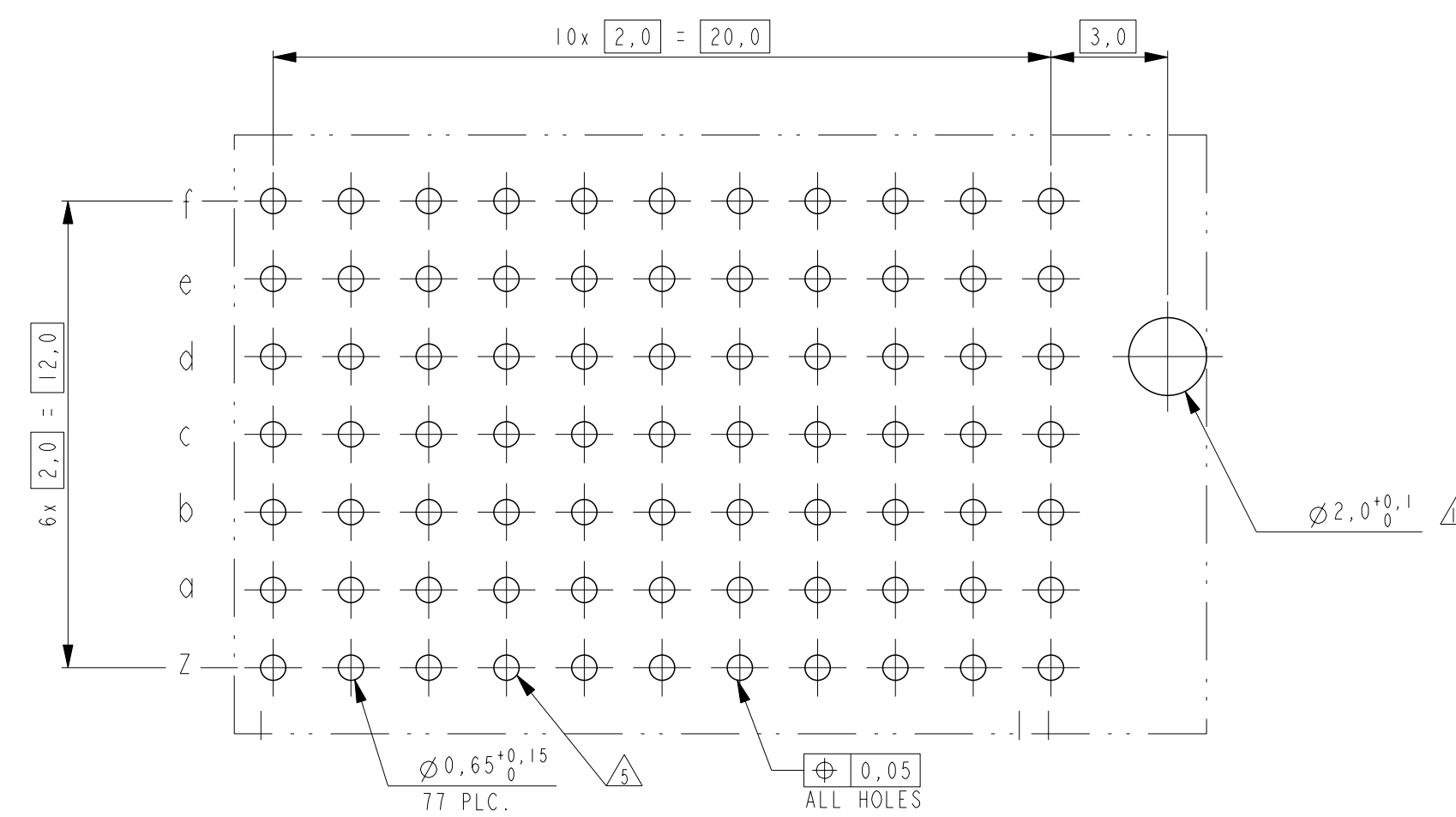
CONTACT LAYOUT

1	C	A	A	A	A	A	C
2	C	A	A	A	A	A	C
3	C	A	A	A	A	A	C
4	C	A	A	A	A	A	C
5	C	A	A	A	A	A	C
6	C	A	A	A	A	A	C
7	C	A	A	A	A	A	C
8	C	A	A	A	A	A	C
9	C	A	A	A	A	A	C
10	C	A	A	A	A	A	C
11	C	A	A	A	A	A	C
GUIDING							
z a b c d e f							

CONTACT DIMENSIONS
 SCALE 5:1



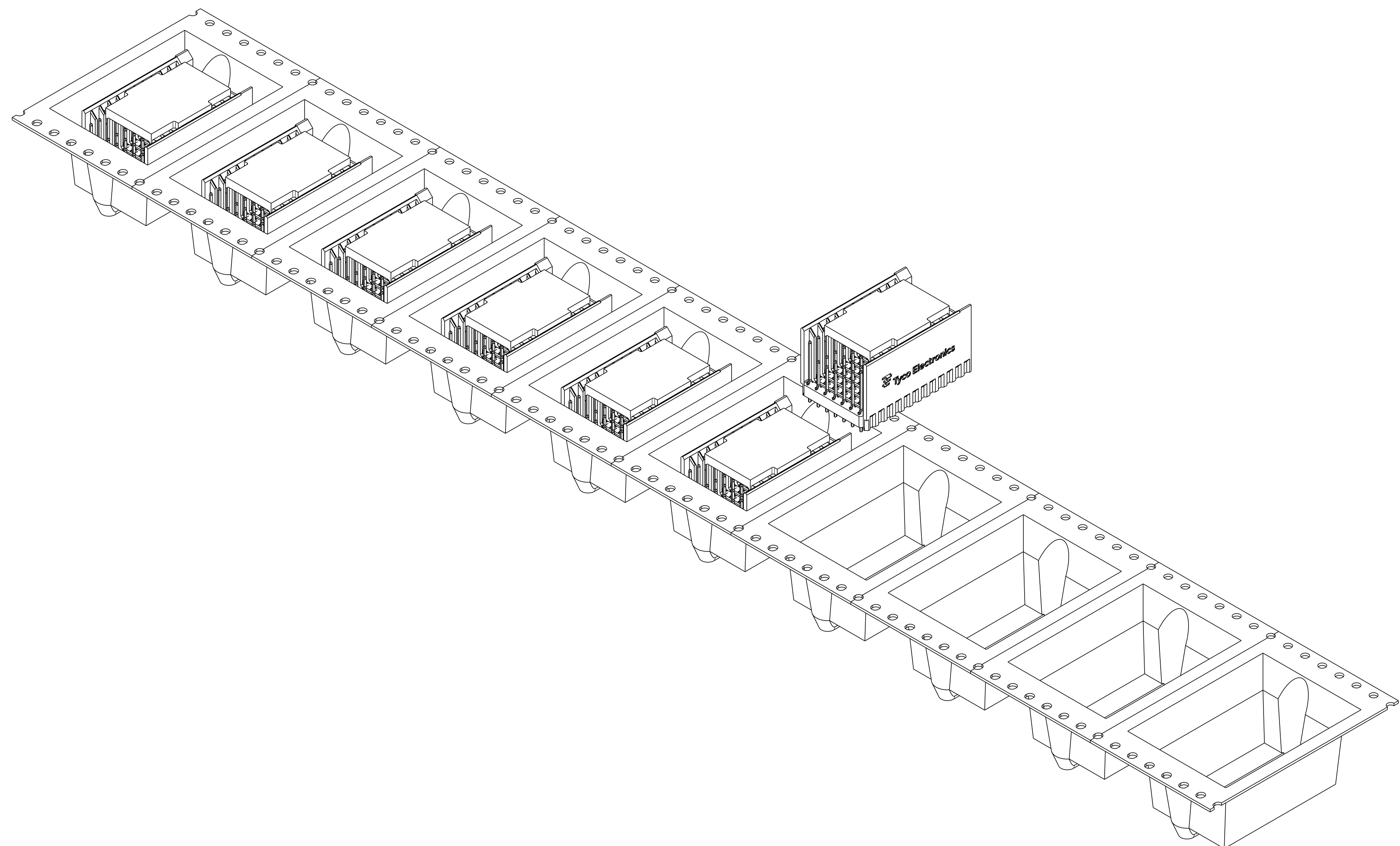
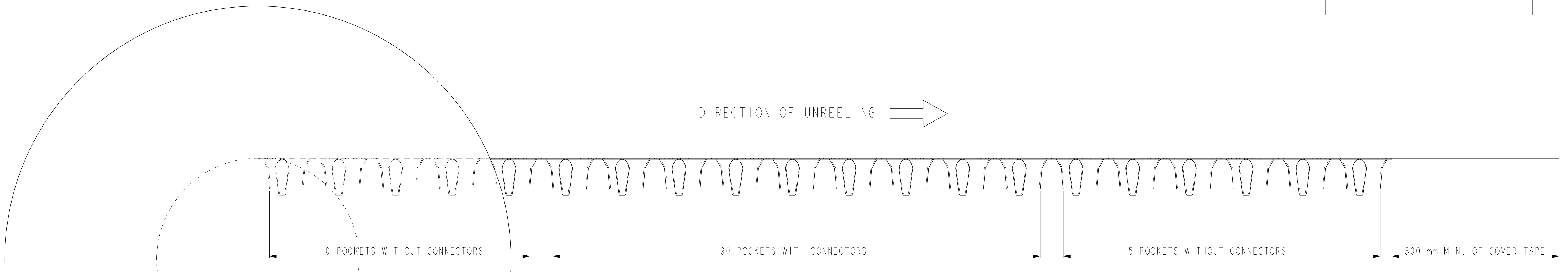
RECOMENDED PCB-HOLE LAY-OUT
 COMPONENT SIDE SHOWN



PLATED THROUGH HOLES PARAMETERS

DIMENSIONS:		TOLERANCES UNLESS OTHERWISE SPECIFIED:		MATERIAL		1982760-1 PARTNUMBER	
mm	9 PLC	±					
	1 PLC	±					
	2 PLC	±					
	3 PLC	±					
	4 PLC	±					
	ANGLES	±					
	FINISH	±					
MATERIAL							
THIS DRAWING IS A CONTROLLED DOCUMENT.		DWN	J. van Hoek	17JUL2007			
		CHK	B. MOOIJ	17JUL2007			
		APVD	J. BROEKSTEEG	17JUL2007			
		NAME	Z-PACK 2mm HM TYPE C MALE ASSEMBLY PIN-IN-PASTE				
		PRODUCT SPEC	108-19082				
		APPLICATION SPEC					
		SIZE	CAGE CODE	DRAWING NO	RESTRICTED TO		
		A1	00779	C=1982760			
		CUSTOMER DRAWING		SCALE	1:1	SHEET	1 OF 2
				REV	A		

LOC		DIST		REVISIONS			
H		P	LTR	DESCRIPTION	DATE	DWN	APVD
		-		SEE SHEET 1			



THIS DRAWING IS A CONTROLLED DOCUMENT.		DWN	J. van Hoek	17JUL2007	TE Connectivity NAME Z-PACK 2mm HM TYPE C MALE ASSEMBLY PIN-IN-PASTE	
DIMENSIONS:		CHK	B. MOOIJ	17JUL2007		
mm		APVD	J. BROEKSTEEG	17JUL2007		
9 PLC ± 3 PLC ± 2 PLC ± 5 PLC ± 4 PLC ± ANGLES ± FINISH ±		PRODUCT SPEC 108-19082 APPLICATION SPEC		SIZE A1		
MATERIAL		WEIGHT		CAGE CODE	DRAWING NO.	RESTRICTED TO
				A1 00779	C=1982760	
CUSTOMER DRAWING		SCALE		SHEET	OF	REV
		2:1		2	2	A