



## AOLL1-60

## 60W Exterior LED Driver



### FEATURES:

- Universal AC input 90~264 VAC
- Built in active PFC
- IP66 or IP67 for damp locations designed for outdoor use
- Wide Temp -40 ~ +70°C range
- Adjustable output voltage and current
- UL 8750 safety (Pending)**
- Warranty: 4 years**
- Output voltage and constant current level can be adjusted through potential meter.
- Constant current level adjustable through output cable with 1~10Vdc.

CE cRU Pending RoHS

MODEL/CHANNEL		Unit	AOLL1-240-12 AD	AOLL1-240-24 AD	AOLL1-240-36 AD	AOLL1-240-48 AD
OUTPUT	Norminal Voltage	[V]	12	24	36	48
	Setting Voltage Range	[V]	11.8 ~ 12.1	23.7 ~ 24.3	35.6 ~ 36.4	47.5 ~ 48.5
	Voltage ADJ. Range *note1	[V]	10.8 ~ 13.5	22.0 ~ 27.0	33.0 ~ 40.0	43.0 ~ 53.0
	Norminal Current	[A]	6.4	4	2.65	2
	Current ADJ. Range *note1	[A]	4.16 ~ 6.4	2.6 ~ 4	1.72 ~ 2.65	1.3 ~ 2
	Line Regulations	[mV]	120	120	180	240
	Load Regulations	[mV]	120	120	180	240
	Temperature Drift	[mV]	180	360	540	720
	Ripple Max.	[mV]	120	120	150	150
	Ripple & Noise Max 1.	[mV]	150	150	250	250
	Ripple & Noise Max 2. *note2	[mV]	400	400	600	600
Turn-on Time Typ.	[ms]	800 (AC IN 100V, Io=100%)				
Hold-up Time Typ.	[ms]	17 (AC IN 100V, Io=100%)				
INPUT	Typ. Voltage, Frequency	[V]	AC100 - 240(AC 90-264, 50/60Hz(47 - 63) or DC127-370V (Universal Input)			
	Current Typ. 110V	[A]	1.4	1.4	1.4	1.4
	220V	[A]	0.7	0.7	0.7	0.7
	Efficiency Typ. 110V	[%]	84	85	85	85
	220V	[%]	86	88	88	88
	Power factor Typ. 110V	-	0.97	0.97	0.97	0.97
	220V	-	0.93	0.93	0.93	0.93
Inrush Current Typ. 110V	[A]	25 ( Ta=25°C , Cold Start )				
220V	[A]	45 ( Ta=25°C , Cold Start )				
Leakage Current Max. 110V	[mA]	3.5				
220V	[mA]	3.5				
Function	Over Voltage Protection	[V]	110% ~ 160% of rating			
	Over Current Protection[Blank,D]	[A]	95 ~ 110 %	95 ~ 110 %	95 ~ 110 %	95 ~ 110 %
	Over Current Protection[A,AD]	[A]	60 ~ 100 %	60 ~ 100 %	60 ~ 100 %	60 ~ 100 %
	Short Circuit	-	Hiccup mode, recovers automatically after fault condition is removed			
	Cooling / O.T.P	-	Convection/Optional			
Electrical	(1) Input - Output	-	AC 3.0KV 1min, cut-off: 20mA / DC 500V 100MΩ			
	(2) Input - F.G	-	AC 2.0KV 1min, cut-off: 20mA / DC 500V 100MΩ			
	(3) Output - F.G	-	AC 0.5KV 1min, cut-off:100mA / DC 500V 100MΩ			
Environment	Operating temp. & Humidity	-	-40 ~ +70°C(Required Derating), 20 ~ 90% RH (Non Condensing)			
	Storage temp. & Humidity	-	-40 ~ +75°C, 20 ~ 90% RH (Non Condensing)			
	Vibration	-	10~55Hz at 1G 3minutes period, 30minutes along X,Y and Z axis			
Dimension	Size(WxHxD) / Weight	mm/g	68 x 39 x 189		/ 824	
Safety	-	-	Built to meet UL8750			
Emission	Conducted Emission	-	Built to meet EN55015			

\*note1 : Type A,AD only

\*note2 : Frequency 50/60Hz





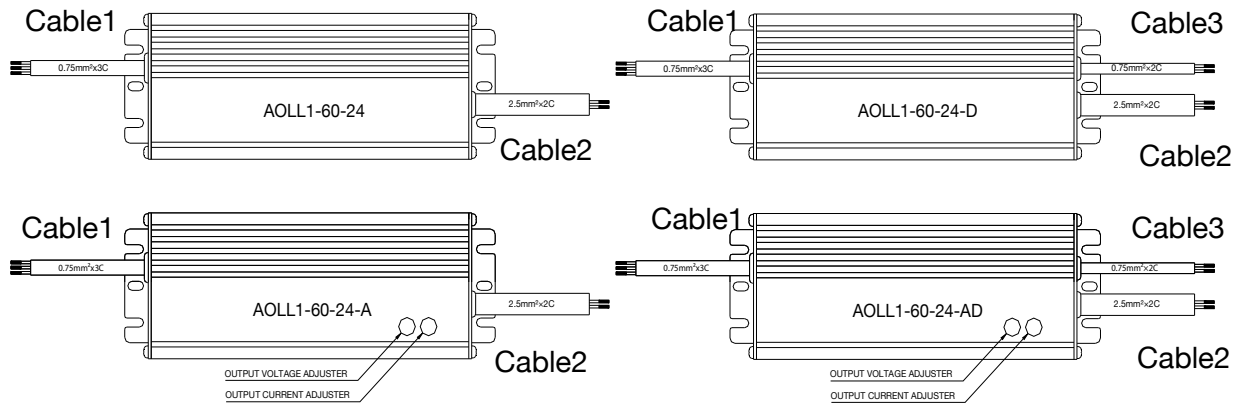
## AOLL1-60

## 60W Exterior LED Driver

### 1. BLOCK DIAGRAM



### 2. Terminal Connection



	Cable Type	Wire Color	Terminal
Cable1	60227 0.75mm <sup>2</sup> X 3C	BROWN	AC (L)
		SKY BLUE	AC (N)
		YELLOW/GREEN	FG
Cable2	60227 2.5mm <sup>2</sup> X 2C	BROWN	Output +
		SKY BLUE	Output -
Cable3	60227 0.75mm <sup>2</sup> X 2C	BROWN	Dimming +
		SKY BLUE	Dimming -

\* Size and Type for cable subject to change

\* Cable3 applies to D and AD type only







# ETA-USA

The Power Professionals

AOLL1-60

60W Exterior LED Driver

## Ambient Temperature Derating Curve

Output derating curve as follow when input voltage range is AC100~264V.



# ETA-USA

16170 Vineyard Blvd. Suite 180 Morgan Hill, CA 95037 <http://www.eta-usa.com>  
Toll-free (US only): 800-ETA-POWR (800-382-7697) Telephone: 408 778-2793 FAX: 408-779-2753

©2014 ETA-USA All Rights Reserved

ETA-USA reserves the right to make changes to the products and specifications without prior notice. Please contact the factory for latest information.