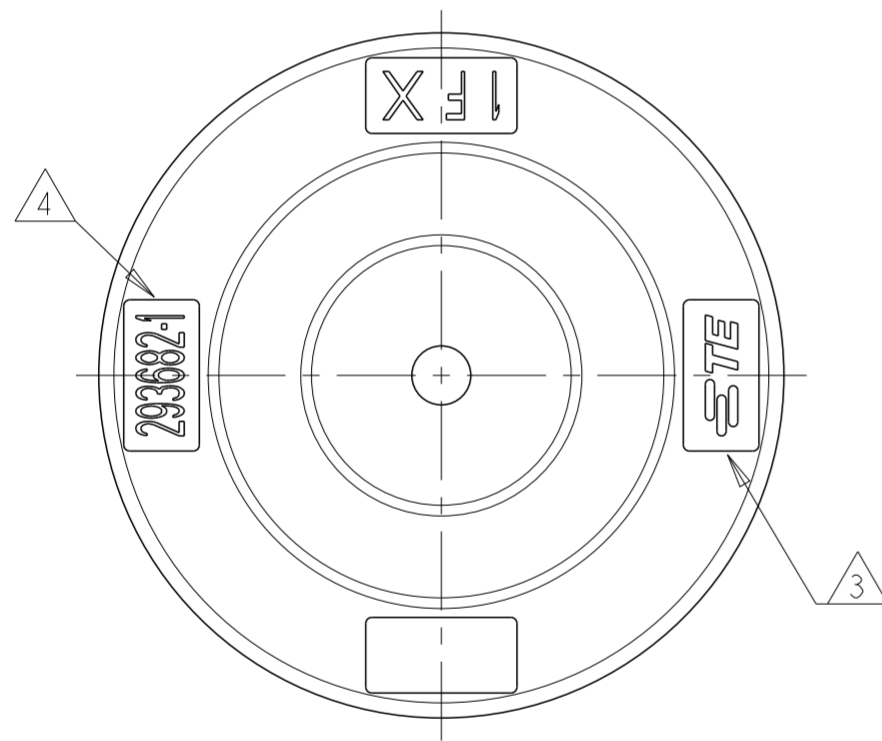
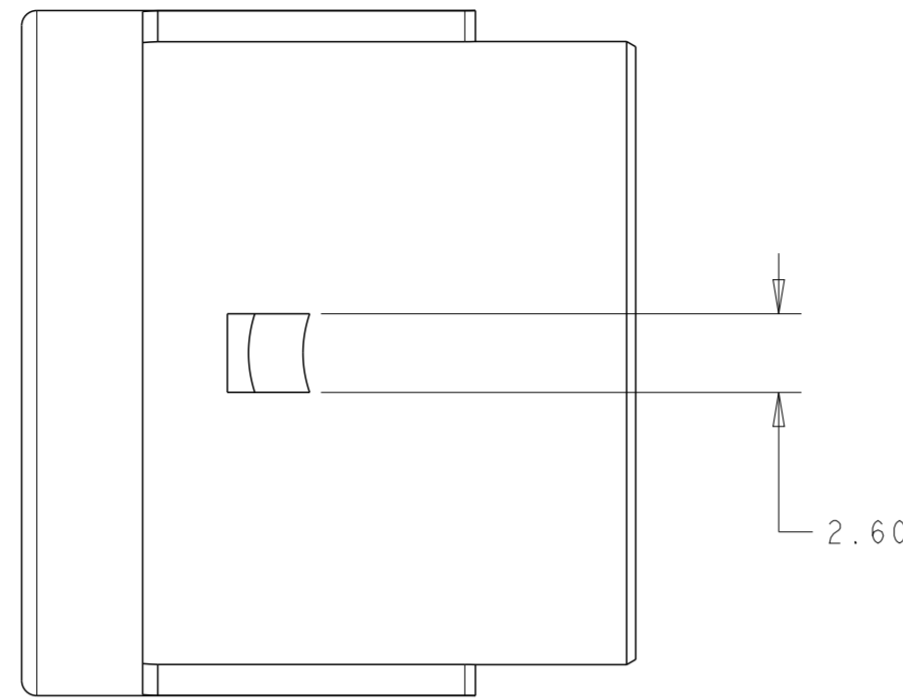


THIS DRAWING IS UNPUBLISHED. RELEASED FOR PUBLICATION 20  
 © COPYRIGHT 20 BY - ALL RIGHTS RESERVED.

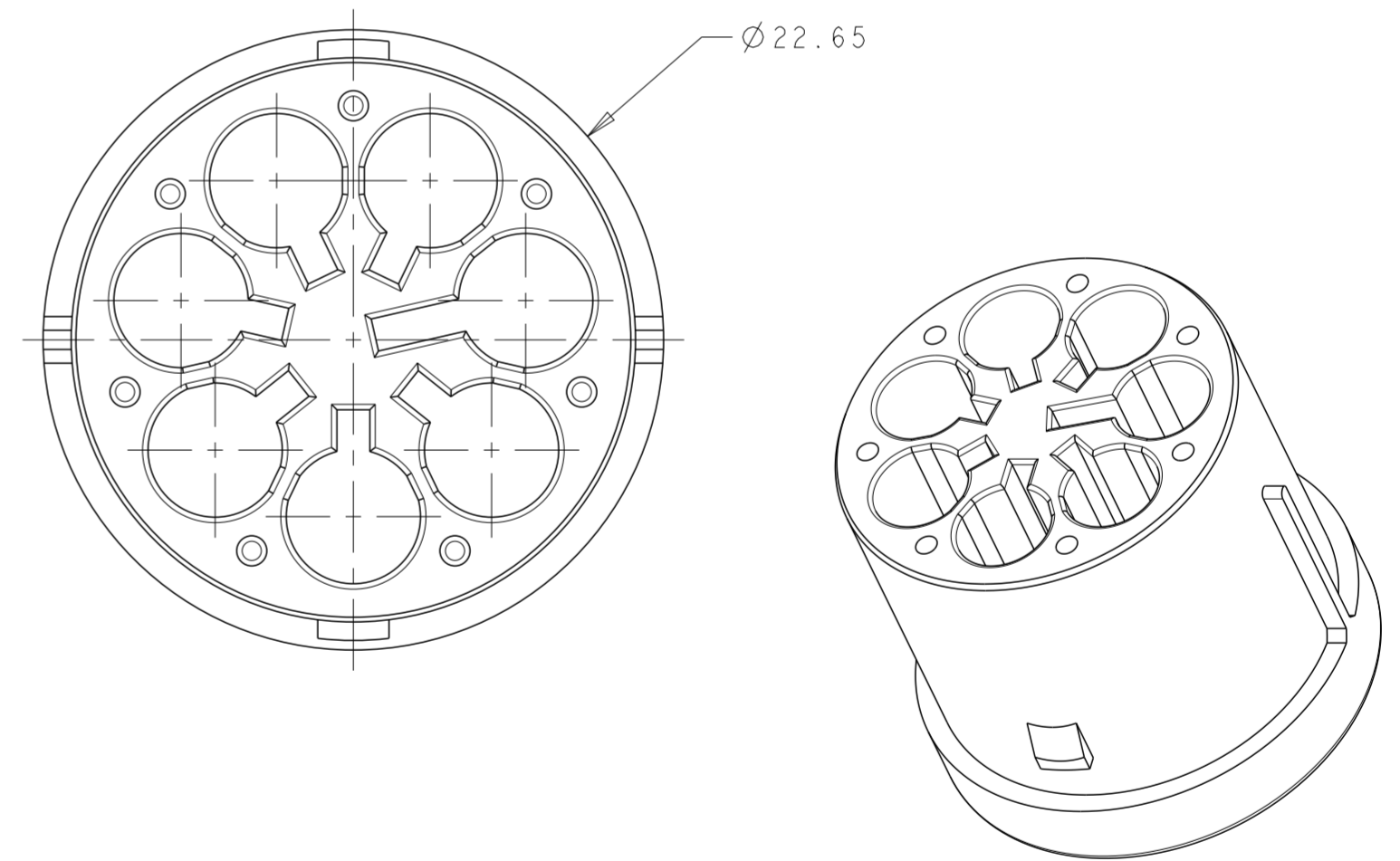
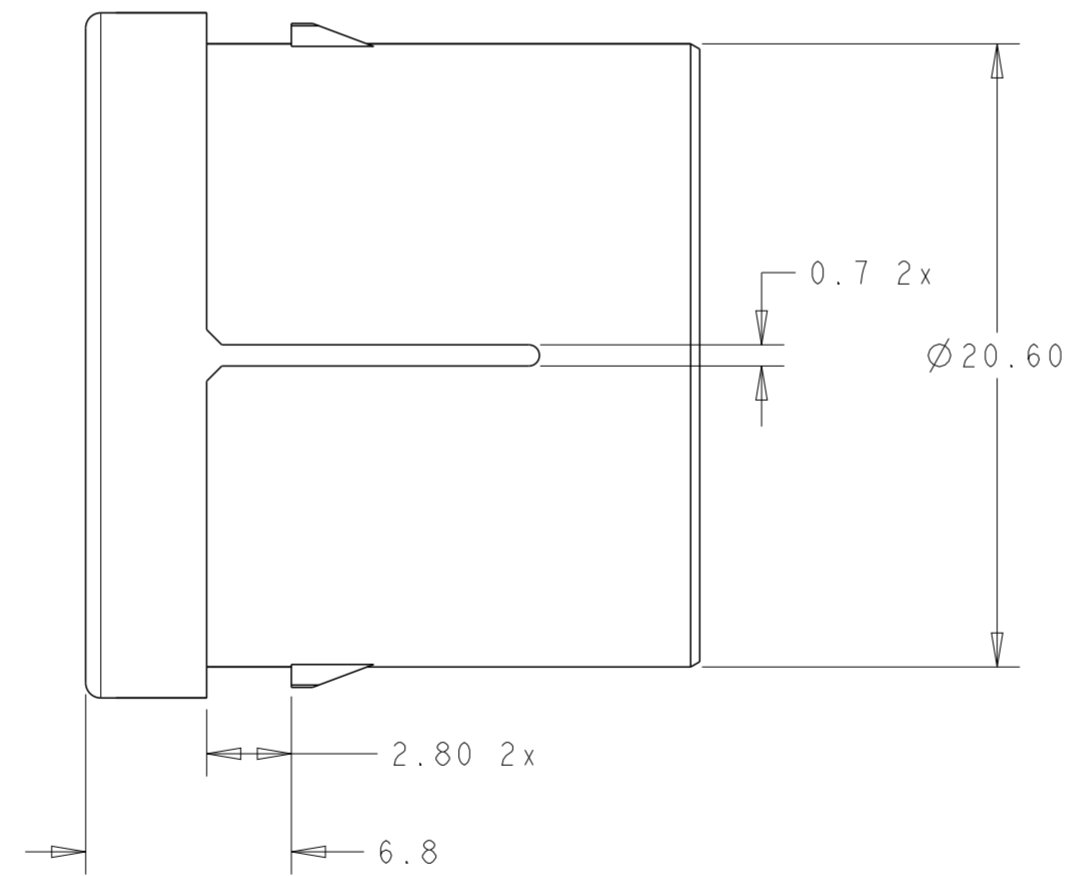
REVISIONS					
P	LTR	DESCRIPTION	DATE	DWN	APVD
A		ECR-15-003851	10MAR2015	KR	JL
B		ECR-15-004175	23MAR2015	RS	JL
C		REVISED AS PER ECR-15-008898	29JUN2015	RS	JL
D		REVISED AS PER ECR-15-014607	19OCT2015	RS	JL

NOTES:

- 1 MATERIAL: GLASS FILLED PBT  
COLOR: BLACK
- 2. MUST COMPLY WITH DIRECTIVE 2002/95/EC (ROHS)
- 3 TE LOGO
- 4 TE PART NUMBER



SCALE 4:1



2213588-1  
PART NO.

THIS DRAWING IS A CONTROLLED DOCUMENT.		DWN J. SHAFFER 07 JAN 2015	TE Connectivity	
DIMENSIONS: mm		CHK M. LUKSIC 07 JAN 2015		
TOLERANCES UNLESS OTHERWISE SPECIFIED:		APVD M. LUKSIC 07 JAN 2015	NAME SOCKET CAP, SEALED NECTOR M-LINE 5, 6, 7 POSN	
0 PLC ± 1 PLC ±0.15 2 PLC ±0.10 3 PLC ± 4 PLC ± ANGLES ± FINISH ±		PRODUCT SPEC -	SIZE A2	CAGE CODE -
MATERIAL 1		APPLICATION SPEC -	DRAWING NO G-2213588	RESTRICTED TO -
		WEIGHT -	SCALE 3:1	SHEET 1 OF 1
		Customer Drawing	REV D	