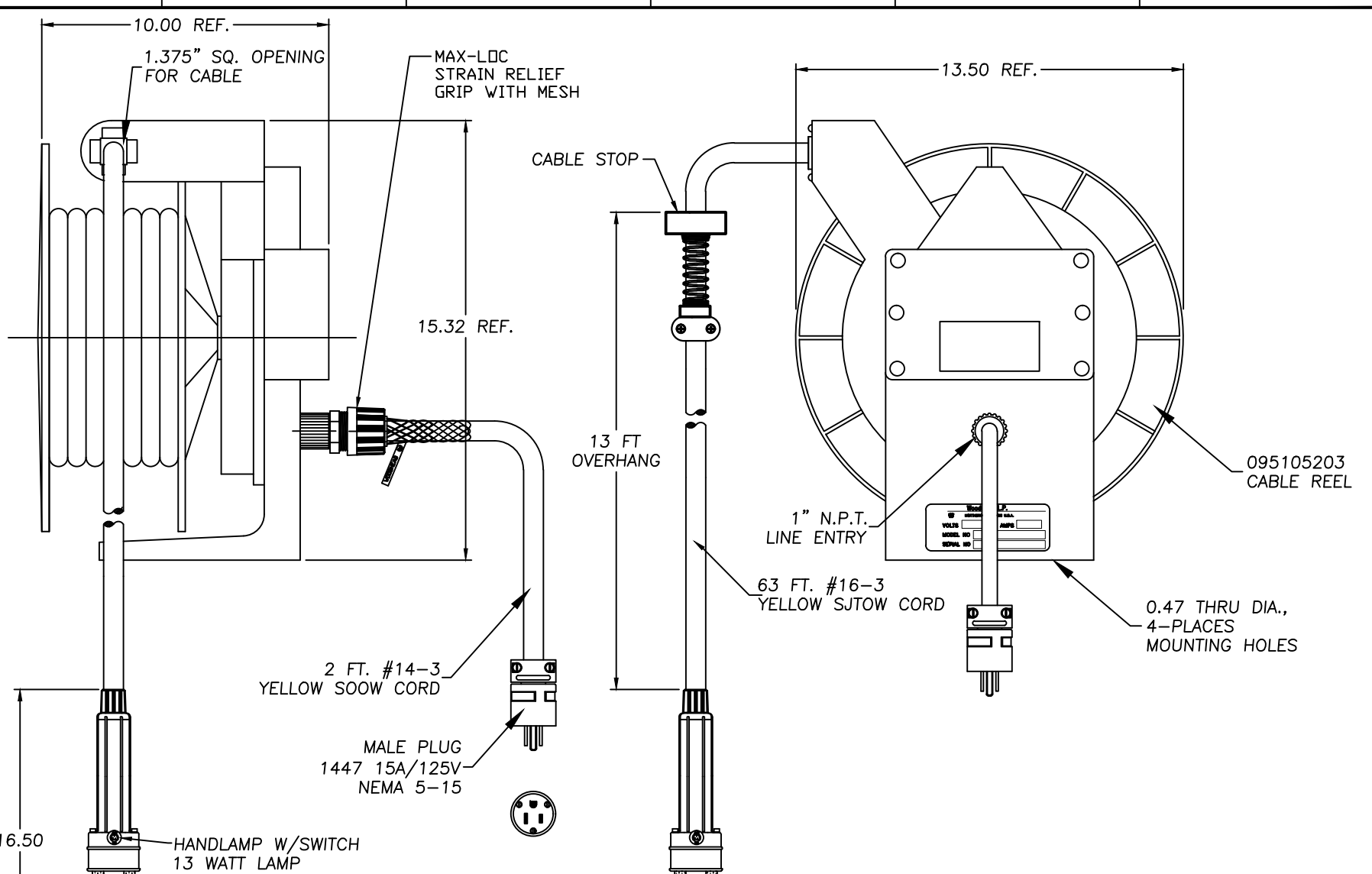
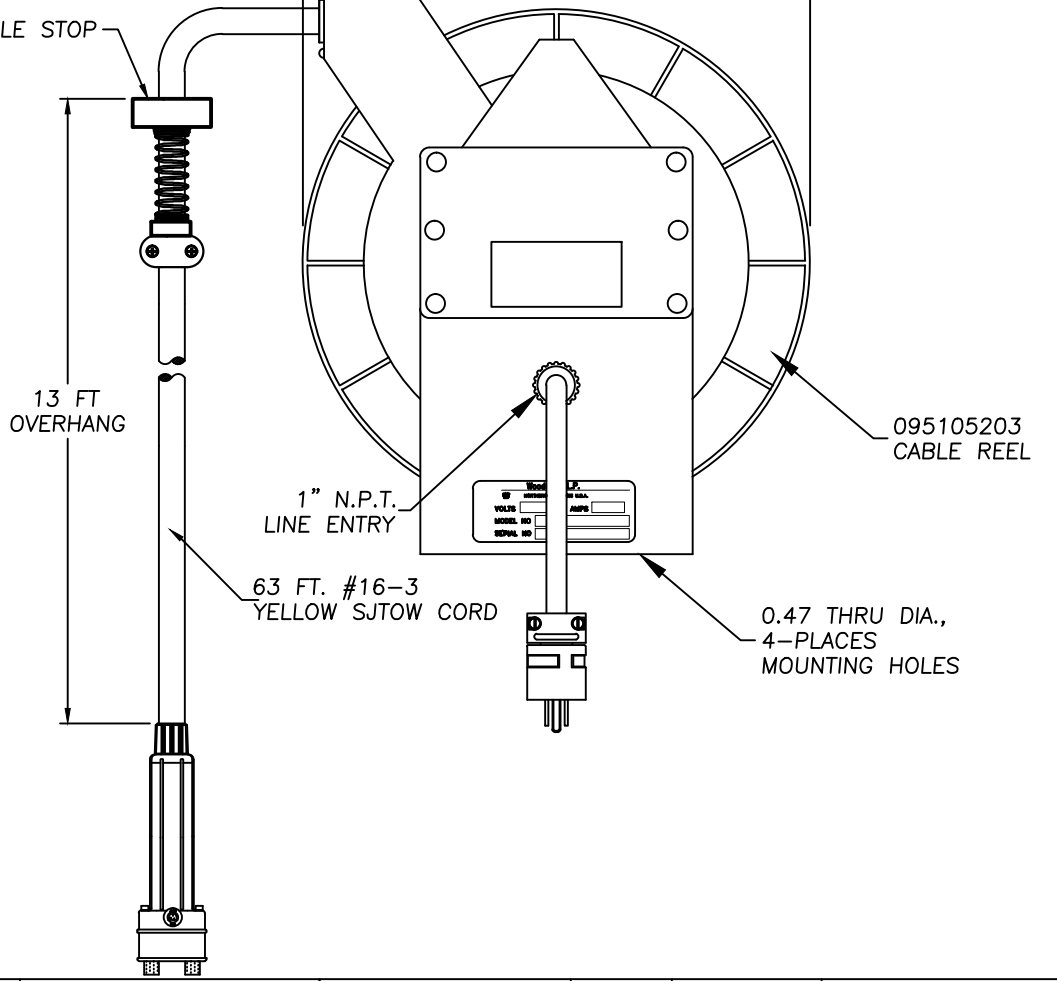


6 5 4 3 2 1



16.50
2.75
HANDLAMP W/SWITCH
13 WATT LAMP

2 FT. #14-3
YELLOW SOOW CORD
MALE PLUG
1447 15A/125V
NEMA 5-15



APPROVAL DRAWING EC NO: IFC2013-1310 DRWN: HKNEELAN 2013/02/18 CHKD: HKNEELAN APPR: JFMURPHY 2013/03/13	DESCRIPTION REV	QUALITY SYMBOLS $\nabla=0$ $\nabla/C=0$	GENERAL TOLERANCES (UNLESS SPECIFIED) <table border="1"> <tr> <td></td> <td>mm</td> <td>INCH</td> </tr> <tr> <td>4 PLACES</td> <td>±---</td> <td>±---</td> </tr> <tr> <td>3 PLACES</td> <td>±---</td> <td>±.005</td> </tr> <tr> <td>2 PLACES</td> <td>±0.13</td> <td>±.010</td> </tr> <tr> <td>1 PLACE</td> <td>±0.25</td> <td>±.020</td> </tr> </table>		mm	INCH	4 PLACES	±---	±---	3 PLACES	±---	±.005	2 PLACES	±0.13	±.010	1 PLACE	±0.25	±.020	DIMENSION STYLE INCH DRAWN BY DATE HKNEELAN 2011/04/15 CHECKED BY DATE HKNEELAN 2013/04/15 APPROVED BY DATE JFMURPHY 2013/03/13 MATERIAL NO. 130083-0917	SCALE NTS DESIGN UNITS INCH THIRD ANGLE PROJECTION	TITLE CABLE REEL 228B13S 63FT. #16-3 SSJTOW CABLE 1447 PLUG & SST MESH GRI	MOLEX INCORPORATED DOCUMENT NO. SD-130083-046 SHEET NO. 1 OF 1
			mm	INCH																		
		4 PLACES	±---	±---																		
		3 PLACES	±---	±.005																		
2 PLACES	±0.13	±.010																				
1 PLACE	±0.25	±.020																				
DRAFT WHERE APPLICABLE MUST REMAIN WITHIN DIMENSIONS			SIZE A	THIS DRAWING CONTAINS INFORMATION THAT IS PROPRIETARY TO MOLEX INCORPORATED AND SHOULD NOT BE USED WITHOUT WRITTEN PERMISSION																		