

LOCK TYPE II

AS SHOWN LOCK TYPE I

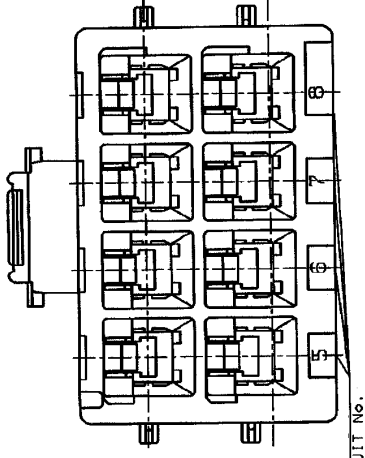
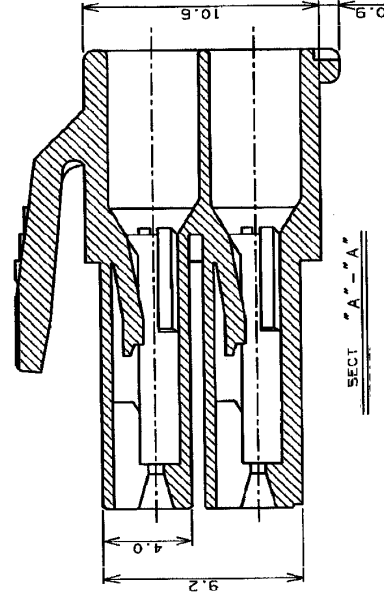
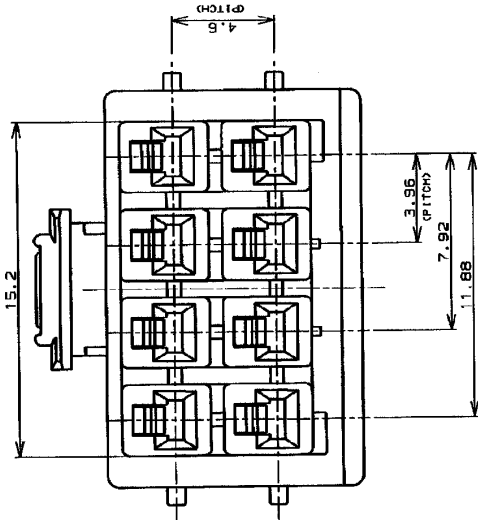
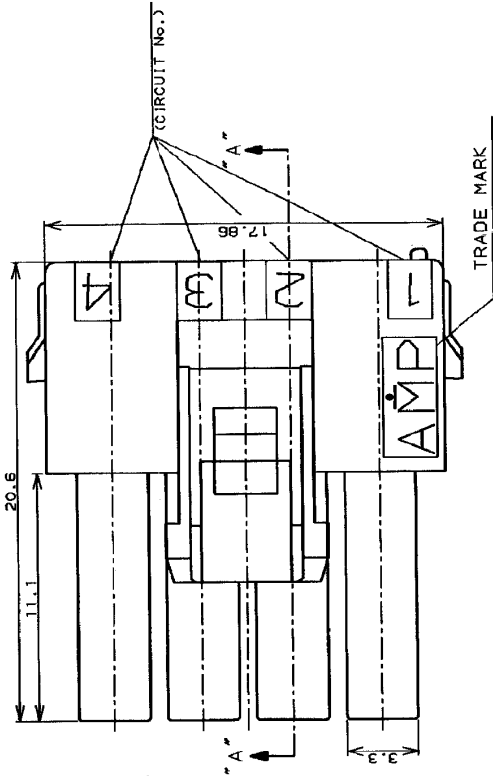
USED ON

DWG NO

THIS DRAWING IS A CONTROLLED DOCUMENT

NOTES:

1. PRODUCT SPEC. 108-6106
2. APPLICABLE CONTACT P/N  
REC CONTACT: 177915-C (20-16AWG)
3. MATING CONN. P/N  
CAP HSG: 1971800-C (FREE HANGING)  
TAB CONTACT: 177917-C (20-16AWG)  
177916-C (26-22AWG)
4. APPLICABLE PLATE P/N: 177920-C
5. INSTRUCTION SHEET 411-5638
6. COMPLY WITH GLOW WIRE REQUIREMENT FOR PARTS OF NO-METALLIC MATERIAL SUPPORTING A CURRENT-CARRYING CONNECTOR DETAILED IN IEC60335-1, SECTION 30(GWT)



THIS INFORMATION IS CONFIDENTIAL AND PROPRIETARY TO TYCO ELECTRONICS CORPORATION AND ITS WORLDWIDE SUBSIDIARIES AND AFFILIATES. IT MAY NOT BE DISCLOSED TO ANYONE OTHER THAN TYCO ELECTRONICS PERSONNEL WITHOUT WRITTEN AUTHORIZATION FROM TYCO ELECTRONICS CORPORATION, HARRISBURG, PENNSYLVANIA USA.

3306-7 (1/08) 8 7 6 5 4 3 2 1

DIMENSIONS:		TOLERANCES, UNLESS OTHERWISE SPECIFIED:	
mm		0 PLC	±
		1 PLC	± 0.5
		2 PLC	± 0.3
		3 PLC	±
		4 PLC	±

REVISION RECORD	DATE	DWG	APVD	SURFACE TEXTURE	ANGLES ±
A1	15FEB2017	N/L	D.Z		
P					

DWG	CHK	APVD	NAME	SCALE	SIZE	DRAWING NO	SHEET	REV
25SEP2009	SAI, CHEN		JULIAN, ZHOU	1:1	A3	C-1971598	1	A1
25SEP2009	HAPYE, WU						1	OF 1
25SEP2009								

NATURAL	8	1971598-1
HOUSING COLOR	Pos	P/N
MATERIAL	PA66	HEAT TREAT
Tyco Electronics Corporation Shanghai, China		
POWER DBL LOCK CONN 3.96mm PITCH		
8 POS PLUG HOUSING (DBL ROW)(GWT)		