

S4E315-BA05-01

AC axial fan with guard grille for full nozzle straight blades (A series)



ebm-papst Mulfingen GmbH & Co. KG

Bachmühle 2

74673 Mulfingen

Phone: +49 7938 81-0

Fax: +49 7938 81-110

www.ebmpapst.com

info1@de.ebmpapst.com

Nominal data

Type	S4E315-BA05-01		
Motor	M4E068-EC		
Phase		1~	1~
Nominal voltage	[V]	230	230
Frequency	[Hz]	50	60
Type of data definition		rfa	rfa
Valid for approval / standard		CE	CE
Speed	[min ⁻¹]	1400	1610
Power input	[W]	120	135
Current draw	[A]	0,53	0.60
Motor capacitor	[µF]	5	4
Capacitor voltage	[VDB]	400	400
Capacitor standard		P0 (CE)	P0 (CE)
Max. back pressure	[Pa]	80	80
Max. ambient temperature	[°C]	0	40
Air flow	[m ³ /h]	1950	2230
Back pressure	[Pa]	0	0
Sound pressure level	[dB(A)]	67	70

ml = max. load · me = max. efficiency · rfa = running at free air · cs = customer specs · cu = customer unit
Subject to alterations

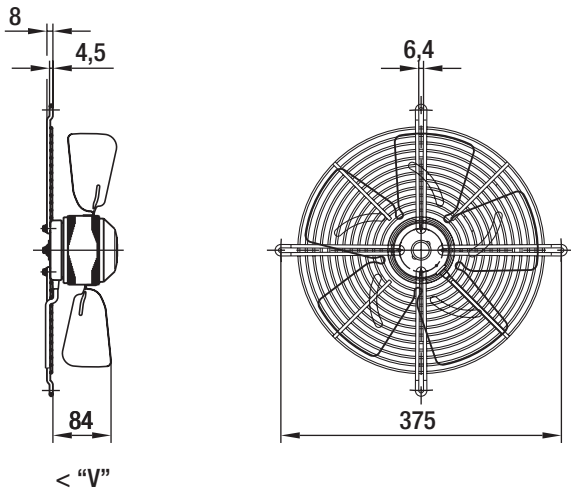
Technical features

Size	315 mm
Operation mode	Continuous operation (S1)
Direction of rotation	Counter-clockwise, seen on rotor
Direction of air flow	"V"
Insulation class	"B"
Cable exit	Lateral
Bearing motor	Ball bearing
Mass	2.8 kg
Material of impeller	Sheet steel, coated in black
Motor protection	Thermal overload protector (TOP) wired internally
Product conforming to standard	CE
Number of blades	5
Type of protection	IP 44 - depending on position
Protection class	I

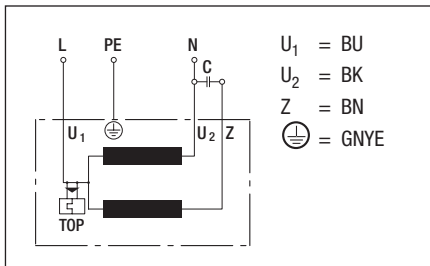
S4E315-BA05-01

AC axial fan with guard grille for full nozzle straight blades (A series)

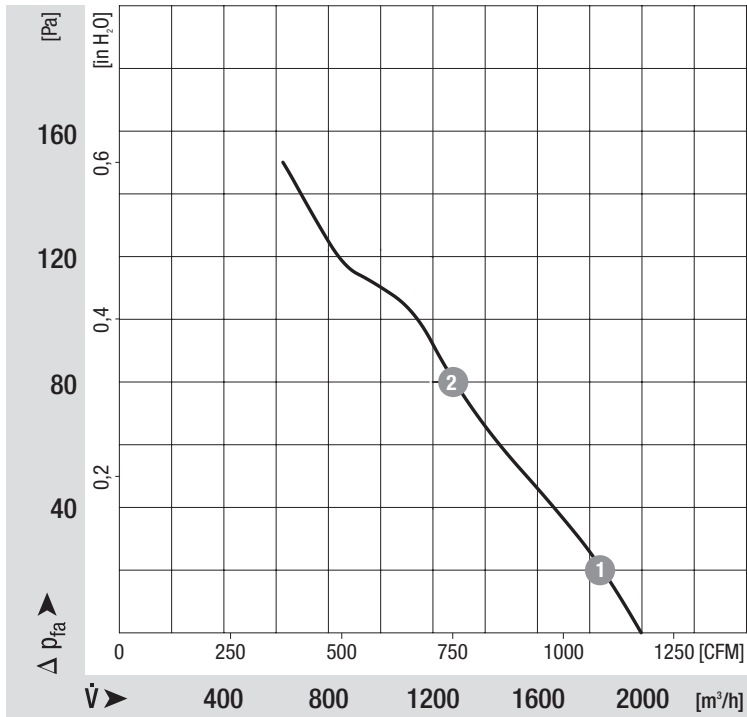
Product drawing



Connection screen



Charts: Air flow 50 Hz



Measured values

	n	P ₁	I
	[min ⁻¹]	[W]	[A]
1	1395	123	0.55
2	1360	136	0.60

Charts: Air flow 60 Hz

