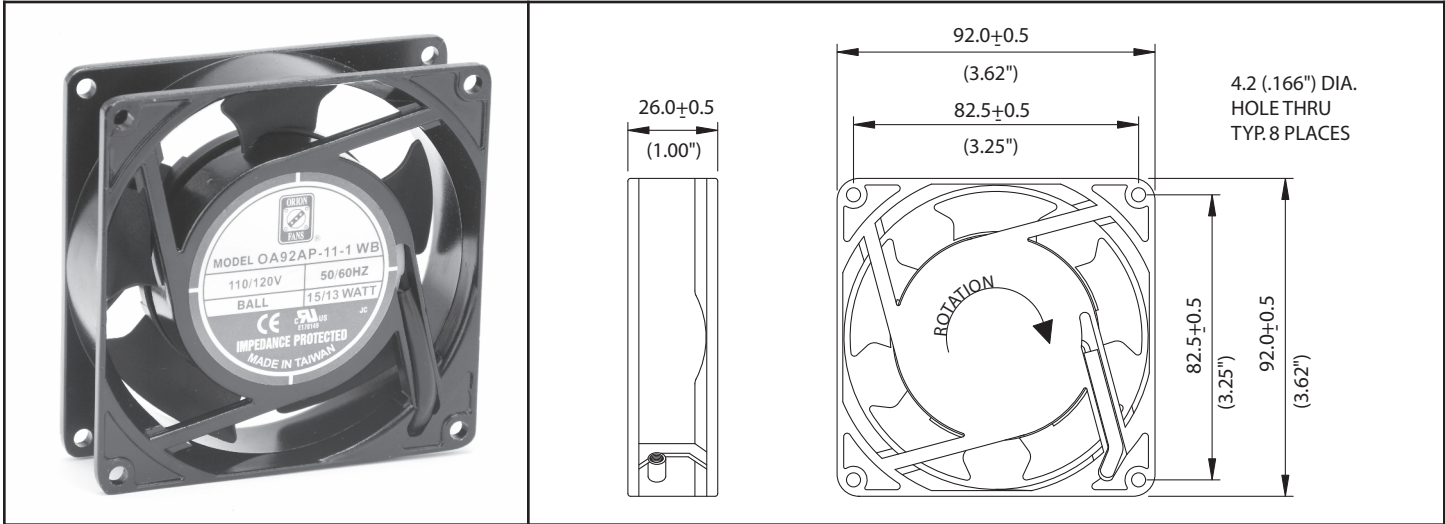


# OA92 Series



## AC Fan - 115V, 230V 92 x 25mm (3.62" x 1.0")



<b>Frame</b>	Diecast Aluminum	<u>Operating Temperature</u> Ball Bearing -20C ~ +80C Sleeve Bearing -10C ~ +50C Storage Temp -40C ~ +80C  <u>Life Expectancy</u> Ball Bearing 60,000 hours (L10 at 40C) Sleeve Bearing 30,000 hours (L10 at 40C)  Weight: ~ 0.64 lbs.  m0	
<b>Impeller</b>	PBT, UL94V-0 plastic		
<b>Connection</b>	2x Lead Wires 22 AWG (~300mm) or terminals		
<b>Motor</b>	Shaded pole, impedance protected		
<b>Bearing System</b>	Dual ball or Sleeve		
<b>Insulation Resistance</b>	>100M ohm between lead-wire and frame (500VDC)		
<b>Dielectric Strength</b>	1 min at 1500 VAC, 50/60Hz		

Model Number	Speed (RPM)	Airflow (CFM)	Noise (dB)	Volts AC	Voltage Range	Watts	Max. Static Pressure ("H <sub>2</sub> O)
OA92AP-11-1 *	3000	35	30	115	80~130	13	.20
OA92AP-11-2 *	2300	27	22	115	80~130	10	.14
OA92AP-11-3 *	1900	22	19	115	80~130	6	.09
OA92AP-22-1 *	3000	35	30	230	160~260	13	.20
OA92AP-22-2 *	2300	27	22	230	160~260	10	.14
OA92AP-22-3 *	1900	22	19	230	160~260	6	.09

\* Indicate "TB" (Terminal Ball Bearing), "WB" (12" Wire Leads, Ball Bearing), "TS" (Terminal, Sleeve Bearing), "WS" (12" Wire Leads, Sleeve Bearing)