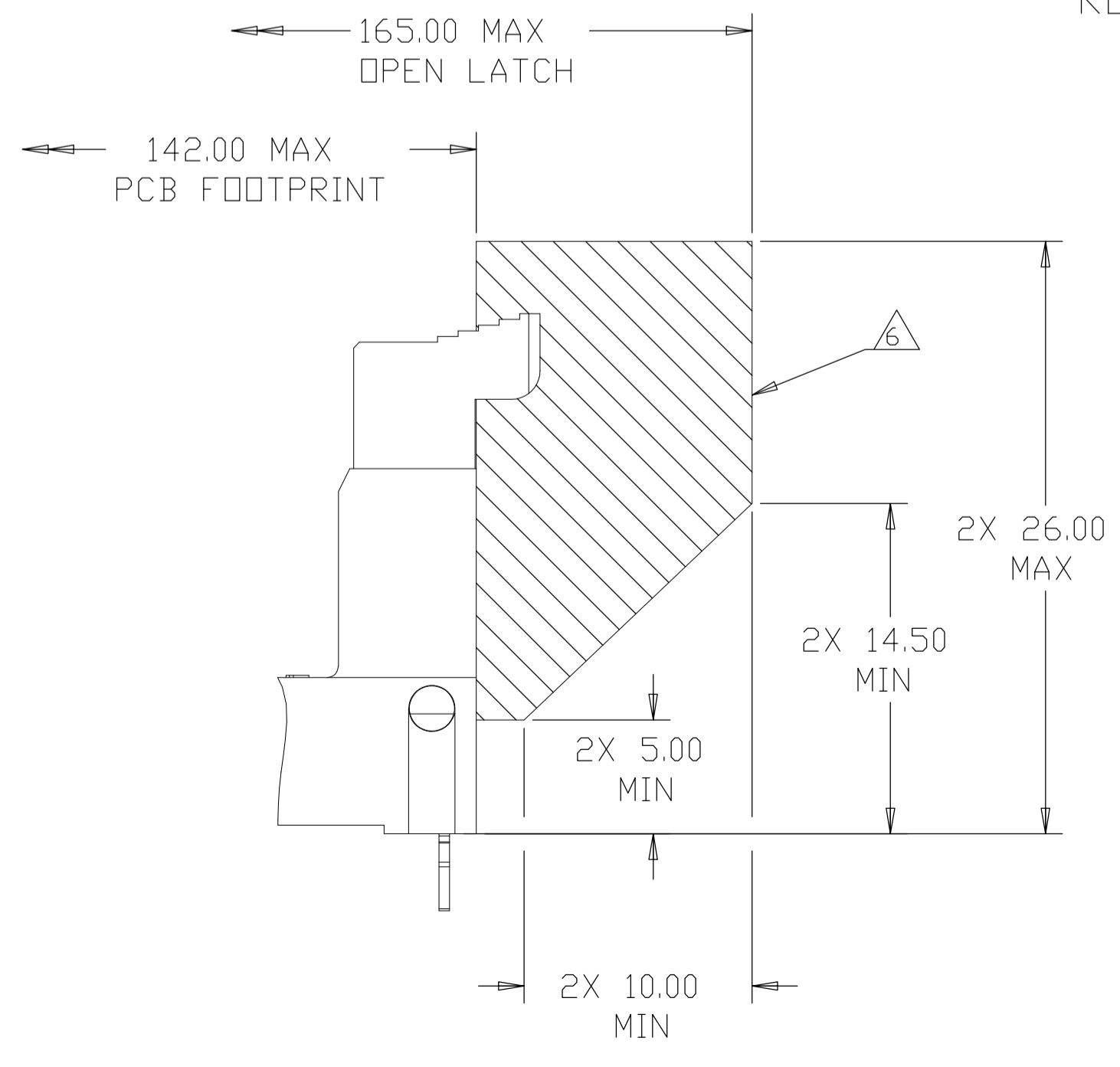
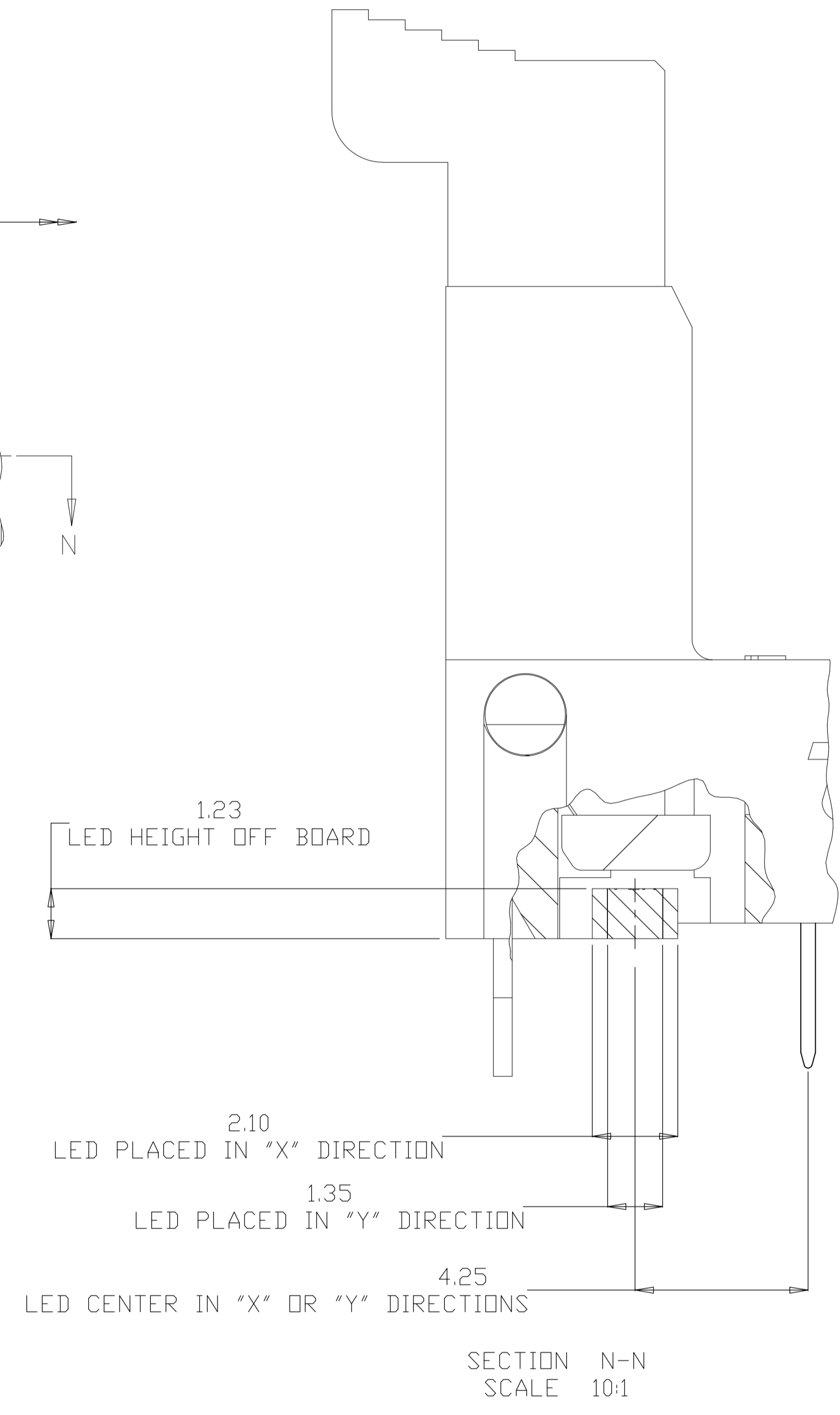
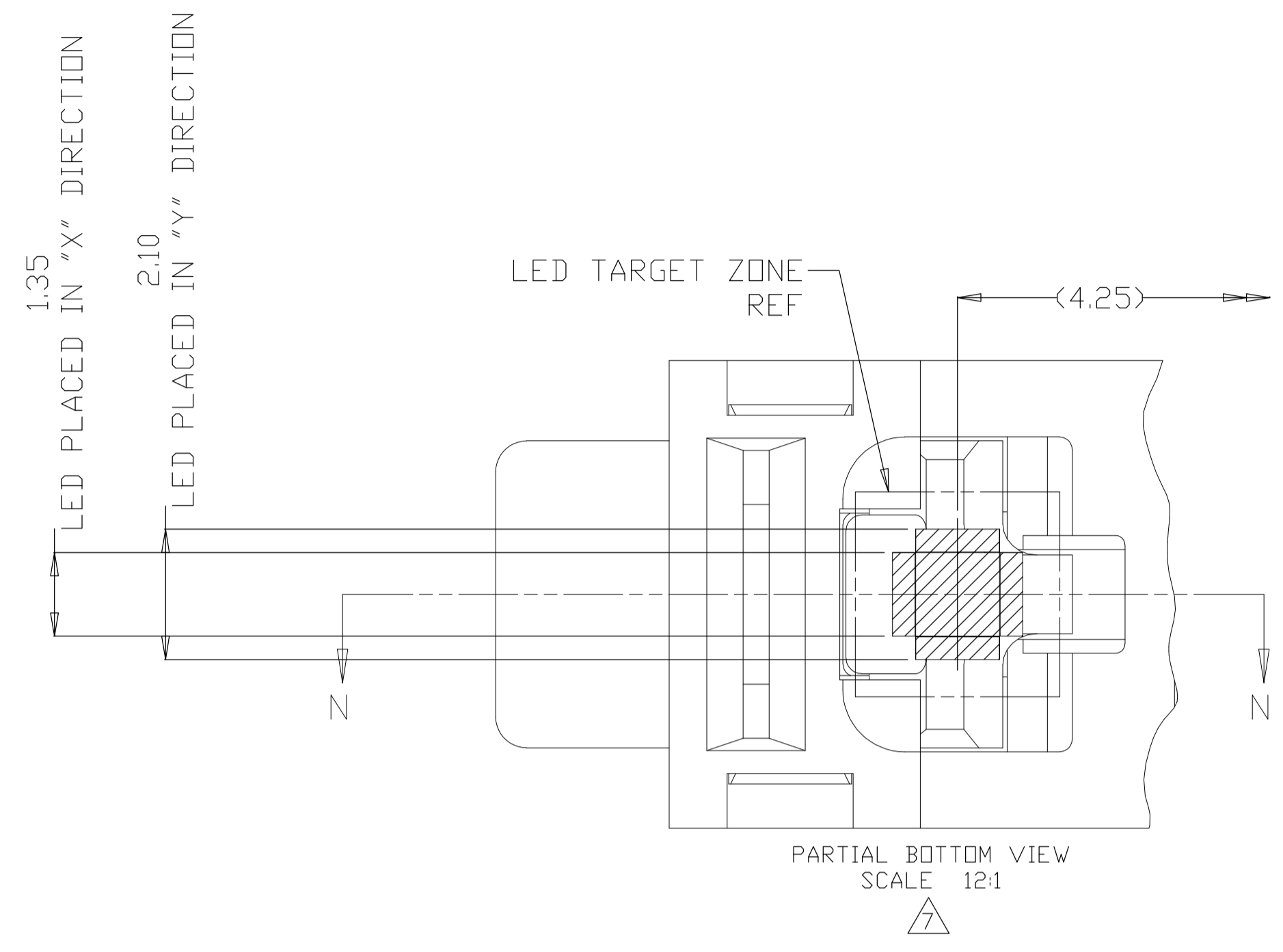


RETENTION BARB TYPE SHOWN ON ALL SHEET UNLESS OTHERWISE NOTED

- MATERIALS:**
- HOUSING: HIGH TEMPERATURE NYLON, UL94 V-0
  - EXTRACTOR: HIGH TEMPERATURE NYLON, UL94 V-0
  - CONTACTS: COPPER ALLOY
  - RETENTION BARB: BRASS, TIN PLATED
- INTERFACE FINISH:**
- (1) 0.00038 MIN THK GOLD OVER 0.00127 MIN THK NICKEL.
  - (2) 0.00008 MIN THK GOLD OVER 0.00127 MIN THK NICKEL.
  - (3) 0.00076 MIN THK GOLD OVER 0.00127 MIN THK NICKEL.
- FINISHED HOLE SIZE:** 0.15 MAXIMUM ANNULAR RING.
- KEEP OUT ZONE:**
- KEEP OUT AREA RESERVED FOR SOCKET EXTRACTORS, BOTH ENDS.
- SOLDERTAIL FINISH:**
- 0.00300 MIN THK MATTE TIN OVER 0.00127 MIN THK NICKEL.
- LED LOCATION AS APPLICABLE PER CUSTOMER.**
- DATUM -G- IS CONNECTOR SIDE SURFACE OF PCB.**



THIS DRAWING IS A CONTROLLED DOCUMENT.		DIN LEO ZHOU 28FEB2007	TE Connectivity
DIMENSIONS: mm		CHK STEVEN YAO 28FEB2007	
TOLERANCES UNLESS OTHERWISE SPECIFIED:		APVD STEVEN YAO 28FEB2007	NAME
0 PLC ± -		PRODUCT SPEC	SOCKET ASSEMBLY, VERTICAL DDR3 DIMM, SOLDER TAIL, 240 POSITION
1 PLC ± 0.5		APPLICATION SPEC	108-2256
2 PLC ± 0.13		SIZE	114-13154
3 PLC ± 0.013		WEIGHT	A1 00779
4 PLC ± 0.0001		SCALE	4:1
ANGLES ± -		SHEET	1 OF 4
FINISH		RESTRICTED TO	REV
CUSTOMER DRAWING		DRAWING NO. 1932000	

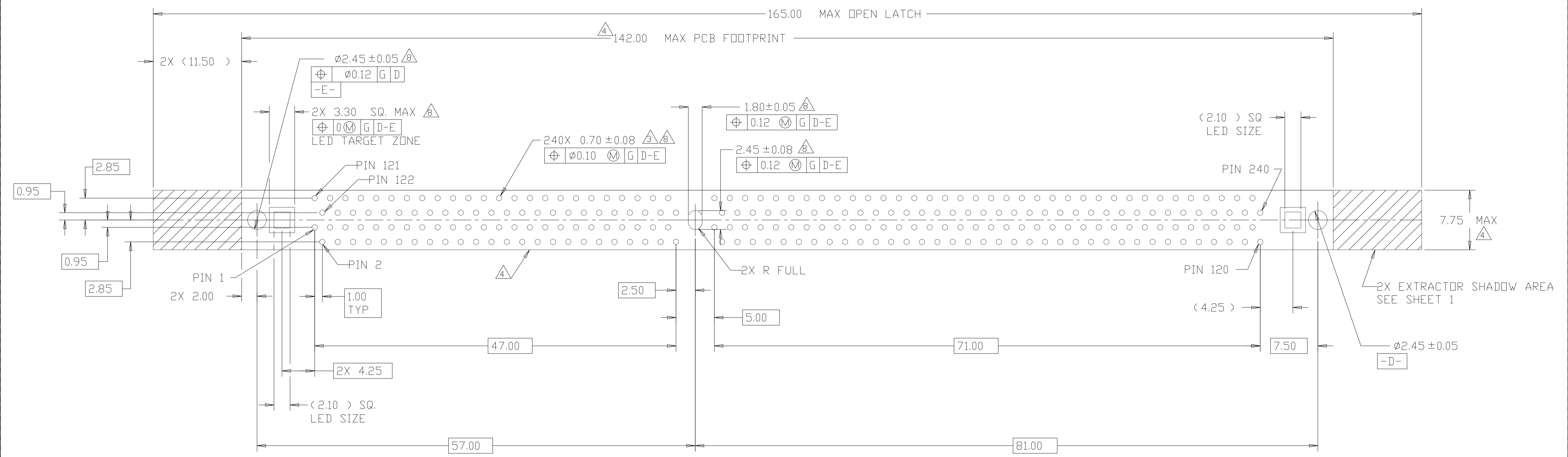


RETENTION BARB	BLACK	BLACK	0.00076 MIN (30u'')	2.54	7-1932000-6
	NATURAL	BLACK		2.54	7-1932000-5
	NATURAL	BLUE(2935U)	0.00038 MIN(15u'')	2.67	7-1932000-2
	NATURAL	PINK(701C)	0.00008 MIN (3u'', FLASH)	2.54	6-1932000-5
		BLUE(284C)		2.54	6-1932000-4
	BLACK	BLACK	0.00076 MIN (30u'')	4.00	5-1932000-2
				3.18	5-1932000-1
	NATURAL	BLACK	0.00076 MIN (30u'')	4.00	4-1932000-8
				3.18	4-1932000-7
				2.67	4-1932000-6
	NATURAL	GREEN(368C) BLUE(284C) ORANGE(021C)	0.00038 MIN (15u'')	2.67	3-1932000-3
				2.67	2-1932000-5
				2.67	2-1932000-1
	BLACK	BLACK	0.00038 MIN (15u'')	3.18	1-1932000-7
				2.67	1-1932000-6
	NATURAL	BLACK	0.00008 MIN(3u'')	4.00	1-1932000-5
				3.18	1-1932000-1
	NATURAL	NATURAL	0.00038 MIN (15u'')	2.67	1-1932000-0
				2.67	1932000-7
				4.00	1932000-6
3.18				1932000-5	
NATURAL	NATURAL	0.00008 MIN (3u'', FLASH)	2.67	1932000-4	
			4.00	1932000-3	
			3.18	1932000-2	
			2.67	1932000-1	
HOUSING STYLE	EXTRACTOR COLOR	HOUSING COLOR	CONTACT GOLD INTERFACE	TAIL LENGTH	PART NUMBER

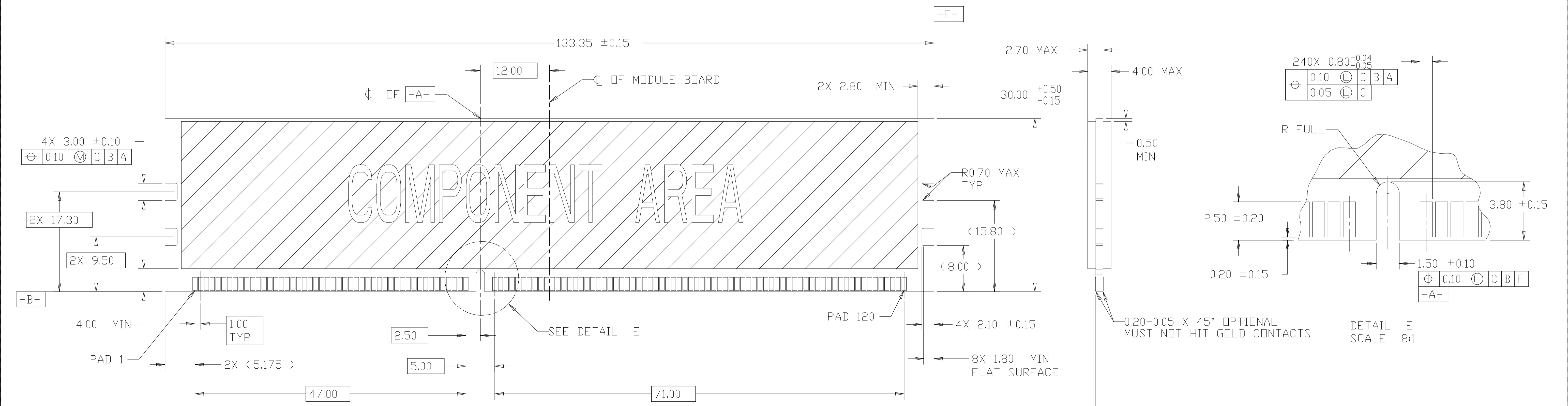
THIS DRAWING IS A CONTROLLED DOCUMENT.

DIMENSIONS: mm	TOLERANCES UNLESS OTHERWISE SPECIFIED:	DIN LEO ZHOU 28FEB2007	STE	TE Connectivity
0 PLC ± -	1 PLC ± 0.5	CHK STEVEN YAO 28FEB2007		
2 PLC ± 0.13	3 PLC ± 0.013	APVD STEVEN YAO 28FEB2007		
4 PLC ± 0.0001	ANGLES ± -			
MATERIAL	FINISH	SIZE A1	00779	1932000
		WEIGHT		
		CUSTOMER DRAWING	SCALE 4:1	SHEET 2 OF 4

SOCKET ASSEMBLY, VERTICAL DDR3 DIMM, SOLDER TAIL, 240 POSITION

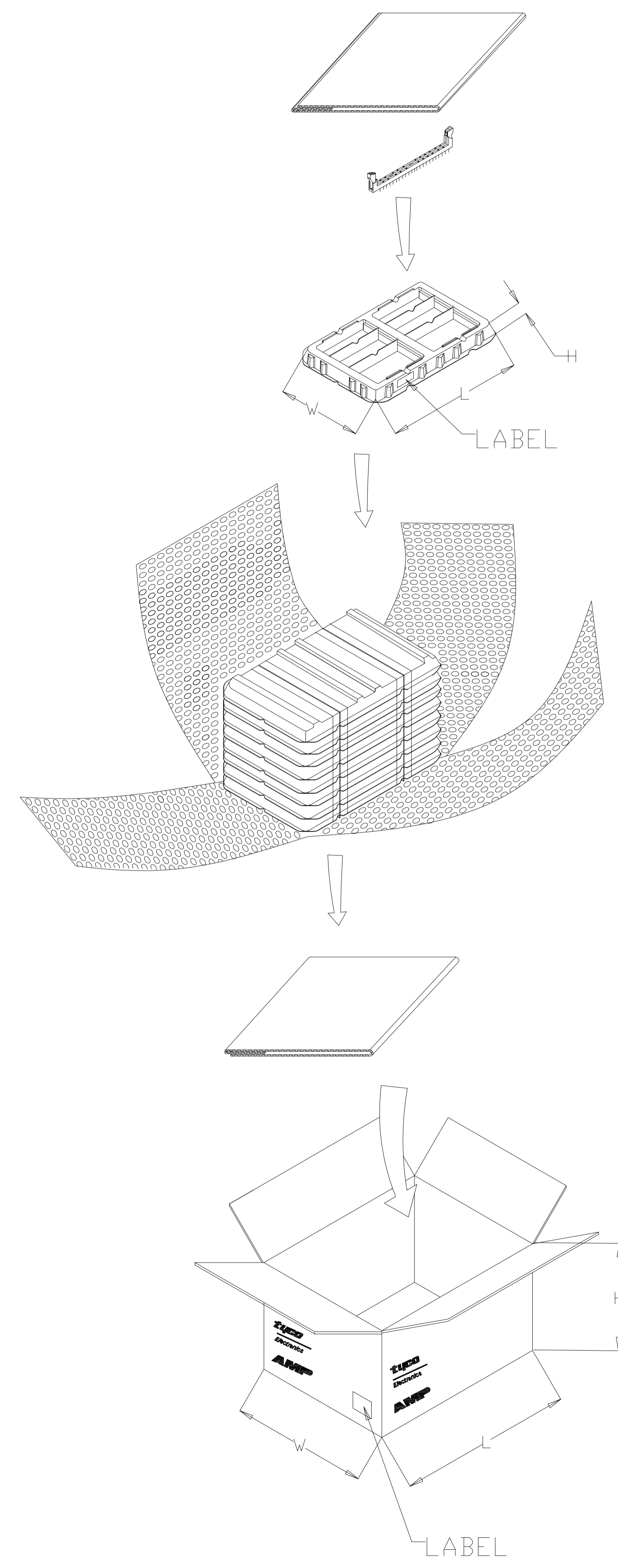


RECOMMENDED PCB LAYOUT  
VIEWED FROM CONNECTOR SIDE



RECOMMENDED MODULE LAYOUT  
SCALE 3:1  
REFER TO JEDEC MO-269 FOR COMPLETE MODULE DETAILS

THIS DRAWING IS A CONTROLLED DOCUMENT.		DIN	LEO ZHOU	28FEB2007	 TE Connectivity
DIMENSIONS: mm		CHK	STEVEN	28FEB2007	
TOLERANCES UNLESS OTHERWISE SPECIFIED:		APVD	STEVEN YAO	28FEB2007	NAME
0. PLC	±	PRODUCT SPEC	SOCKET ASSEMBLY, VERTICAL DDR3 DIMM, SOLDER TAIL, 240 POSITION		
1. PLC	± 0.50	APPLICATION SPEC	SIZE	CAGE CODE	DRAWING NO
2. PLC	± 0.15		A1	00779	1932000
3. PLC	± 0.013	WEIGHT	CUSTOMER DRAWING		
4. PLC	± 0.0001	SCALE	4:1		
ANGLES	±	SHEET	3 OF 4		
		REV	7		



BOTTOM TRAY

TRAY

CARTON

NOTES:

1. MATERIAL:
  - 1.1 TRAY: PVC
  - 1.2 SHIPPING CARTON : CORRUGATED FIBERBOARD
2. DIMENSION :
  - 2.1 TRAY : L=363, W=255, H=33
  - 2.2 SHIPPING CARTON : L=375, W=265, H=280
3. QUANTITY :
  - 3.1 PRIMARY PACKING : 50 PCS/TRAY
  - 3.2 SECONDARY PACKING : 8 TRAY/CARTON(400PCS)
4. WEIGHT :
  - 4.1 NET WEIGHT : 3.76 KG
  - 4.2 GROSS WEIGHT: 6.00 KG

THIS DRAWING IS A CONTROLLED DOCUMENT.		DIN LEO ZHOU 28FEB2007		TE Connectivity	
DIMENSIONS: mm		CHK STEVEN 28FEB2007			
TOLERANCES UNLESS OTHERWISE SPECIFIED: 0. PLC ± - 1. PLC ± 0.50 2. PLC ± 0.13 3. PLC ± 0.013 4. PLC ± 0.0001 ANGLES ± -		APVO STEVEN YAO 28FEB2007 PRODUCT SPEC APPLICATION SPEC		NAME SOCKET ASSEMBLY, VERTICAL DDR3 DIMM, SOLDER TAIL, 240 POSITION	
MATERIAL - FINISH -		WEIGHT -		SIZE A1 CAGE CODE 00779 DRAWING NO. 1932000	
CUSTOMER DRAWING		SCALE --		SHEET 4 OF 4 REV H7	