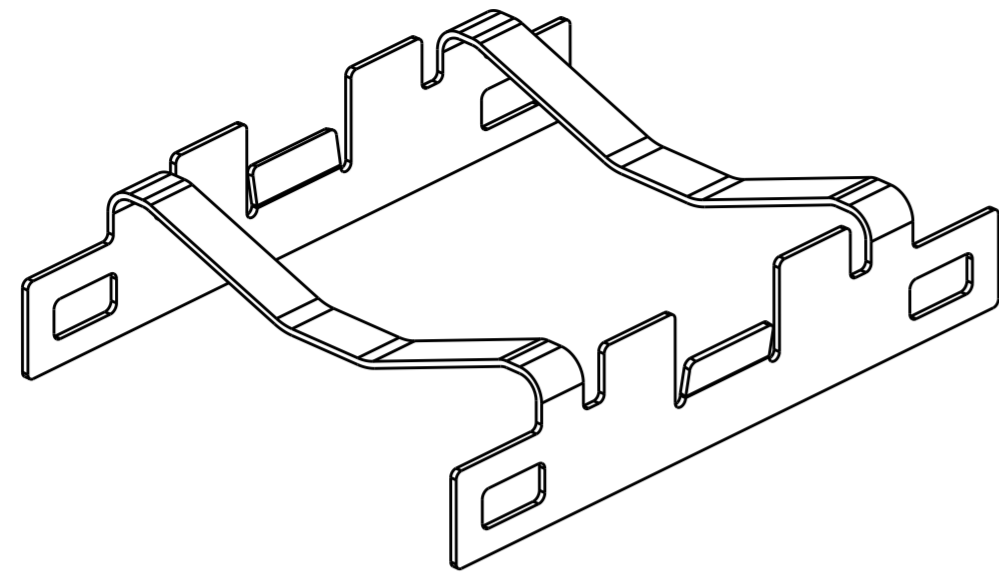
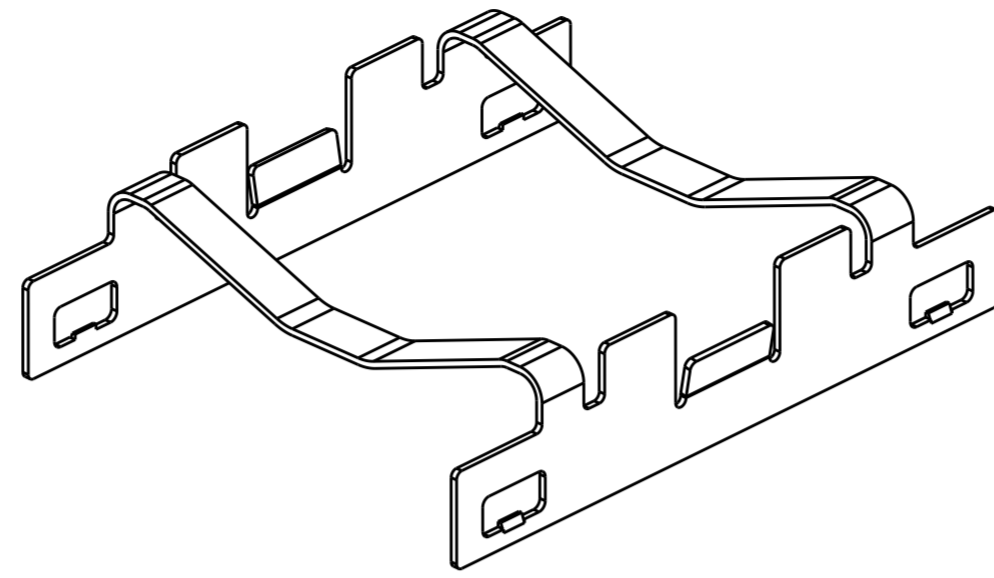


THIS DRAWING IS UNPUBLISHED. RELEASED FOR PUBLICATION 20  
 © COPYRIGHT 20 BY - ALL RIGHTS RESERVED.

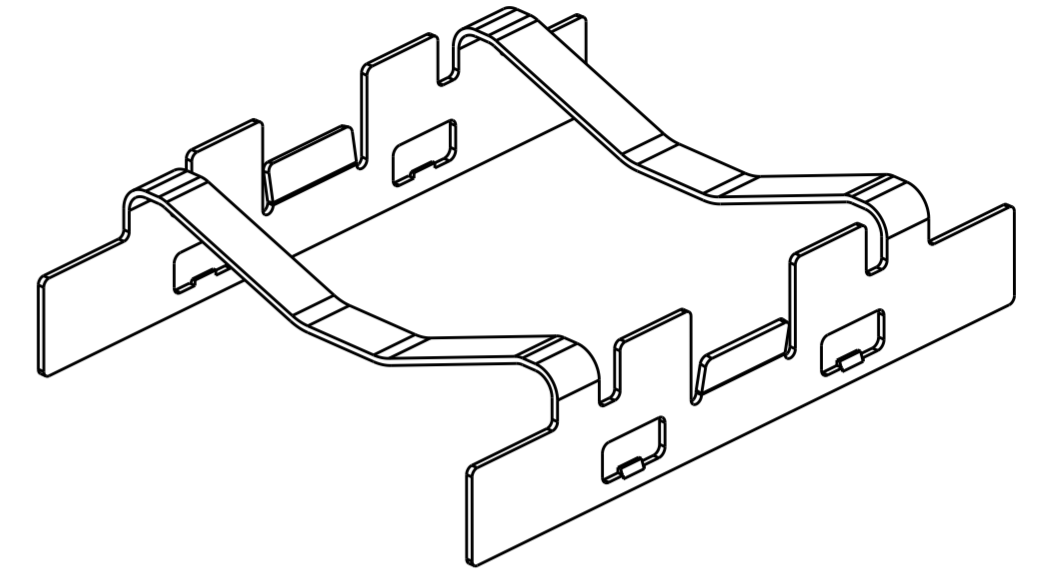
REVISIONS					
P	LTR	DESCRIPTION	DATE	DWN	APVD
B		REVISED PER ECO-14-016404	3NOV2014	JY	-
C		REVISED PER ECO-17-011427	07AUG2017	TX	SH



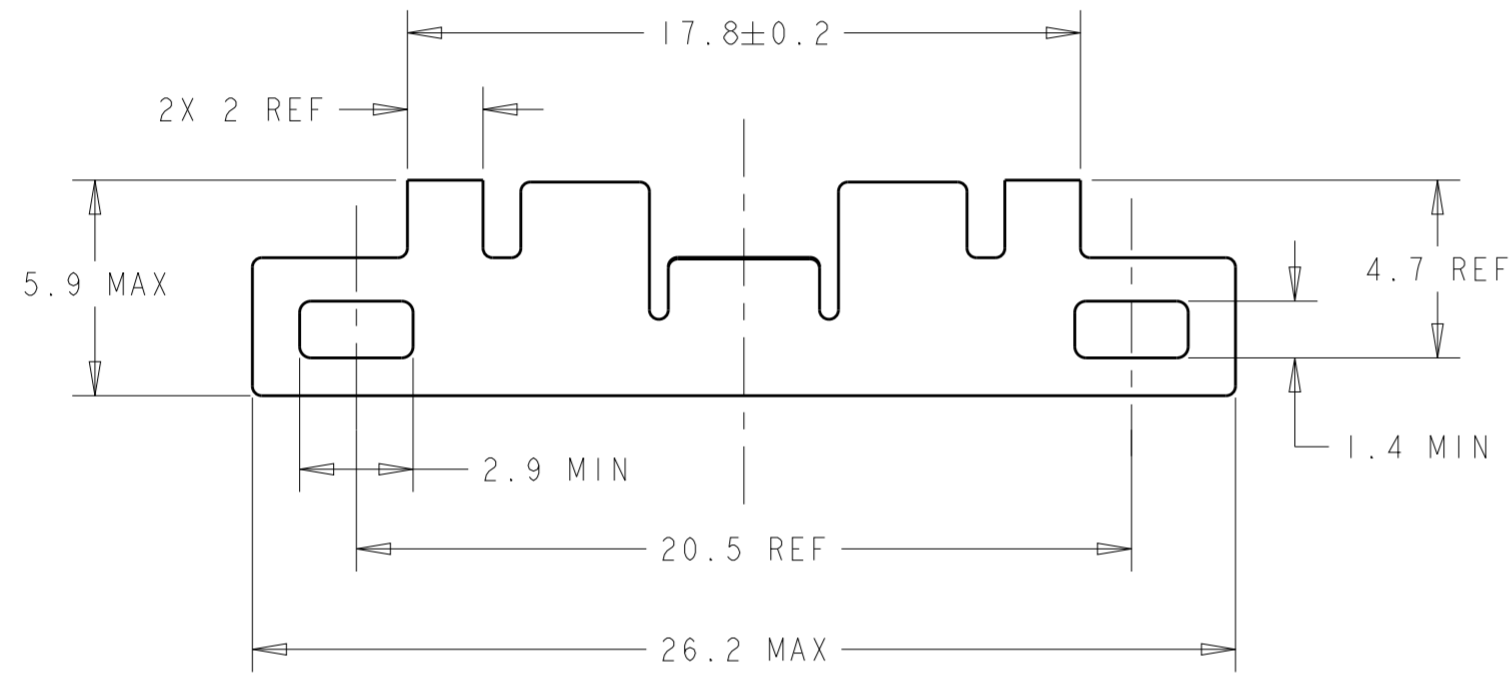
2007304-1  
SCALE 4:1



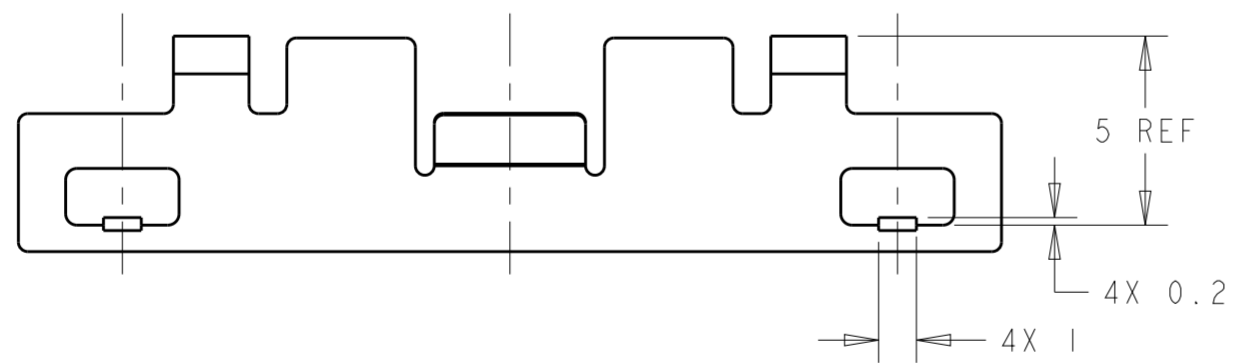
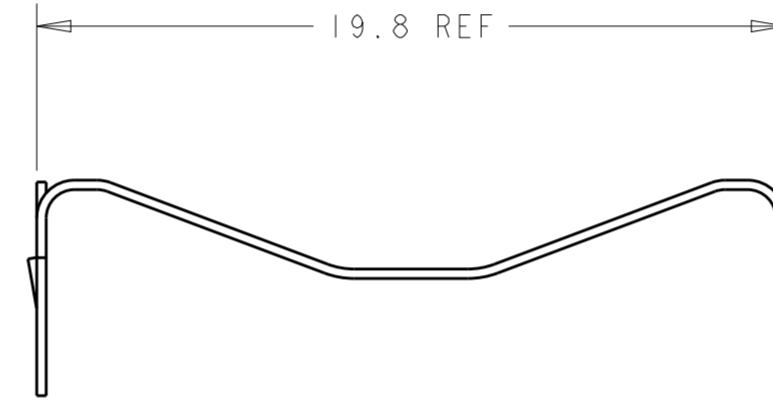
2007304-5  
SCALE 4:1



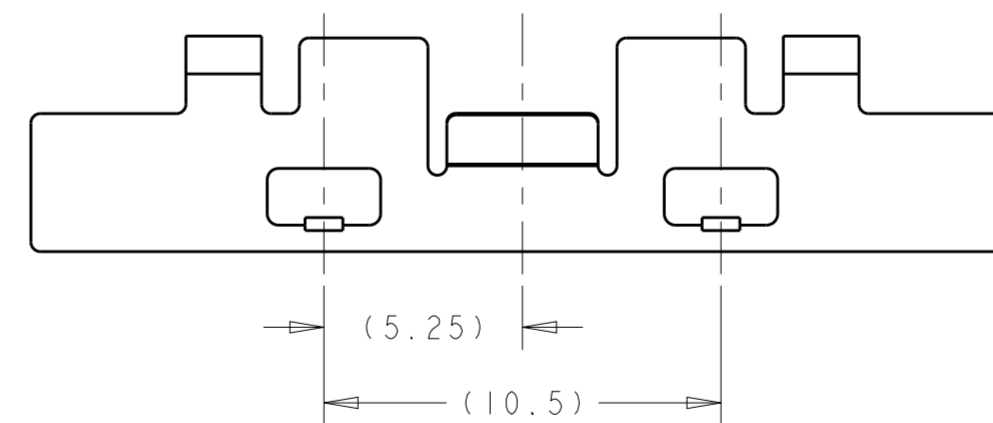
2007304-7  
SCALE 4:1



2007304-1 AS SHOWN  
SCALE 5:1



2007304-5  
UNSPECIFIED SPEC PER 2007304-1  
SCALE 5:1



2007304-7  
UNSPECIFIED SPEC PER 2007304-5  
SCALE 5:1

2007304-7
2007304-5
2007304-1
PART NUMBER

THIS DRAWING IS A CONTROLLED DOCUMENT.		DWN C. VALENTINE 23SEP2008	TE Connectivity		
DIMENSIONS: mm		CHK E. BRIGHT 23SEP2008			
TOLERANCES UNLESS OTHERWISE SPECIFIED:		APVD E. BRIGHT 23SEP2008	NAME QSFP HEAT SINK CLIP		
0 PLC ± 1 PLC ±0.3 2 PLC ±0.1 3 PLC ±0.001 4 PLC ±0.0001 ANGLES ± FINISH -		PRODUCT SPEC 108-2286	SIZE A200779		
MATERIAL -		APPLICATION SPEC 114-13218	CAGE CODE C-2007304	DRAWING NO -	RESTRICTED TO -
		WEIGHT -	SCALE 3:1 SHEET 1 OF 1 REV C		
		Customer Drawing			