

PRODUCT DATA DRAWING

MATERIAL :

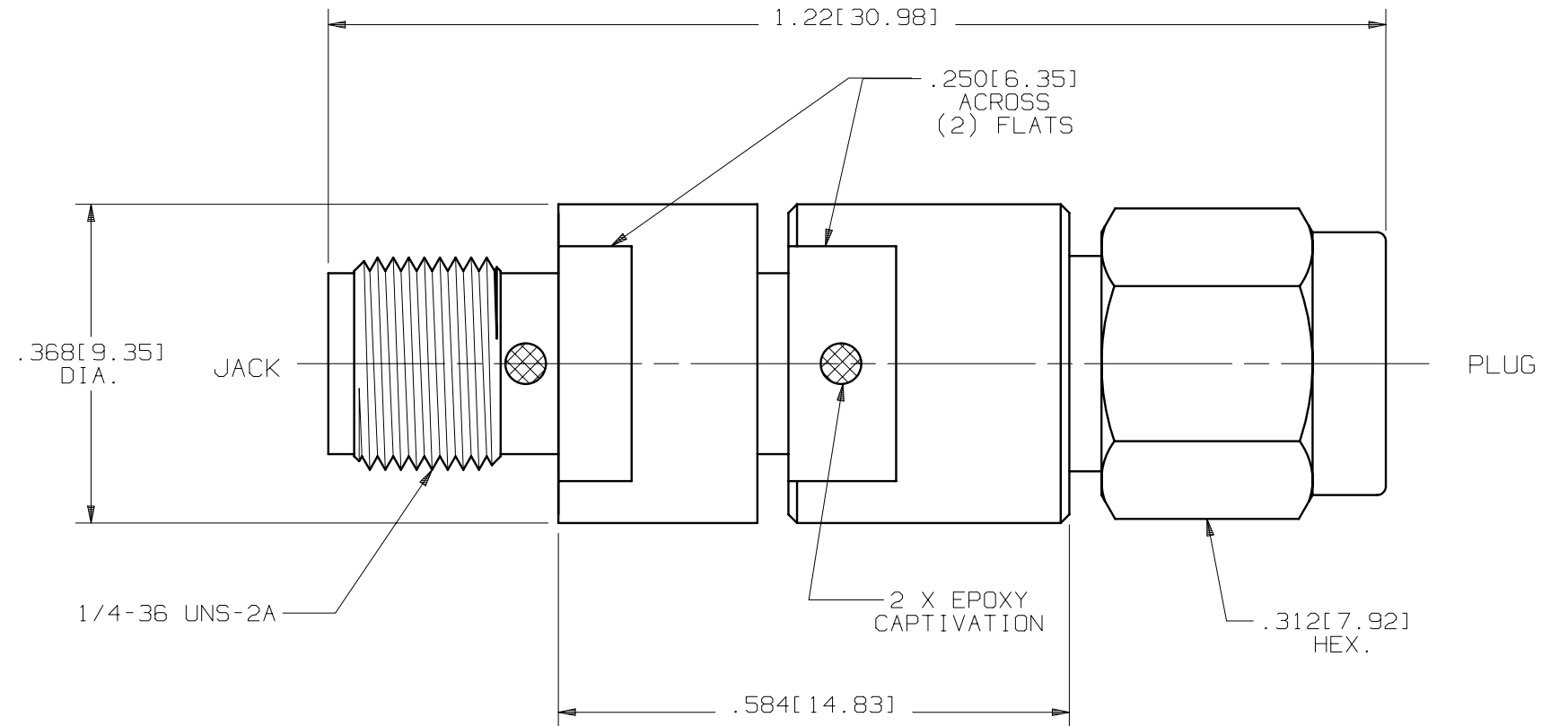
BODIES & COUPLING NUT: STAINLESS STEEL PER AMS-5640
 LOCK RING & CONTACTS: BERYLLIUM COPPER PER ASTM B196
 SLEEVE: BRASS PER ASTM B16
 BELLOWS SPRING: ELECTRO DEPOSITED NICKEL: GOLD PLATED
 INSULATORS: PTFE PER ASTM D1710
 GASKET: SILICONE RUBBER PER ZZ-R-765, CLASS IIB, GRADE 50/60
 RESISTOR ELEMENT: ALUMINUM NITRIDE SUBSTRATE WITH TANTALUM NITRIDE RESISTOR; GOLD PLATED TERMINATIONS

FINISH :

BODIES & COUPLING NUT: PASSIVATED PER AMS-QQ-P-35, TYPE II
 CONTACTS & SLEEVE: GOLD PER ASTM B 488, TYPE II, GRADE C, CLASS 1.52; OVER NICKEL PER QQ-N-290, CLASS 1

PERFORMANCE :

IMPEDANCE: 50 OHMS
 FREQ. RANGE: DC TO 18.0 GHz
 CONNECTOR DURABILITY: 500 CYCLES
 ENGAGEMENT/DISENGAGEMENT: 2 IN-LBS.



ELECTRICAL CHARACTERISTICS		VSWR		
ATTENUATOR INCREMENT (dB)	ATTENUATION ACCURACY (dB)	DC TO 4 GHz	4 TO 12.4 GHz	12.4 TO 18.0 GHz
0 TO .5	+0.00 -0.30	1.15	1.25	1.35
1 TO 6	+/- .3			
7 TO 15	+/- .5			
16 TO 20	+/- .7			
30 TO 40	+/- 1.00			

SYM.	DESCRIPTION	DATE	APPR.	UNLESS OTHERWISE SPECIFIED: 1) ALL DIMENSIONS ARE AFTER PLATING. 2) BREAK CORNERS & EDGES .005 R. MAX. 3) CHAM. 1s1 & LAST THDS. 4) SURFACE ROUGHNESS 63 / MIL-STD-10. 5) DIAS. ON COMMON CENTERS TO BE CONCENTRIC WITHIN .005 T.I.R. 6) REMOVE ALL BURRS.	DIMENSIONS ARE IN INCHES TOLERANCES:			SV Microwave, Inc. 2400 Centrepark West Drive, Suite 100 West Palm Beach, FL 33409
				DECIMALS .X ±.030 .XX ±.015 .XXX ±.005	FRACTIONAL ±1/64	ANGULAR X° ±1'0" X°X' ±15'	TITLE: SMA JACK TO PLUG DC-18.0 GHz ATTENUATOR	
-	REL.DCN 22375	03/96	DWC		MATERIAL: SEE ABOVE	□" AREA: N/A	DWG. NO. SF0930-6200-XX	
A	REV.DCN 30102	08/03	CCC		FINISH: SEE ABOVE			
B	REV.DCN 31895	02/05	CCC		SIZE B	CAGE NO. 95077	SCALE 5X	
C	REV.DCN 32751	03/05	CCC	DRAWN: CCC 08/05/03				
D	REV.DCN 33116	06/05	CCC	CHECKED:				
				APPROVED: JM 03/18/96				