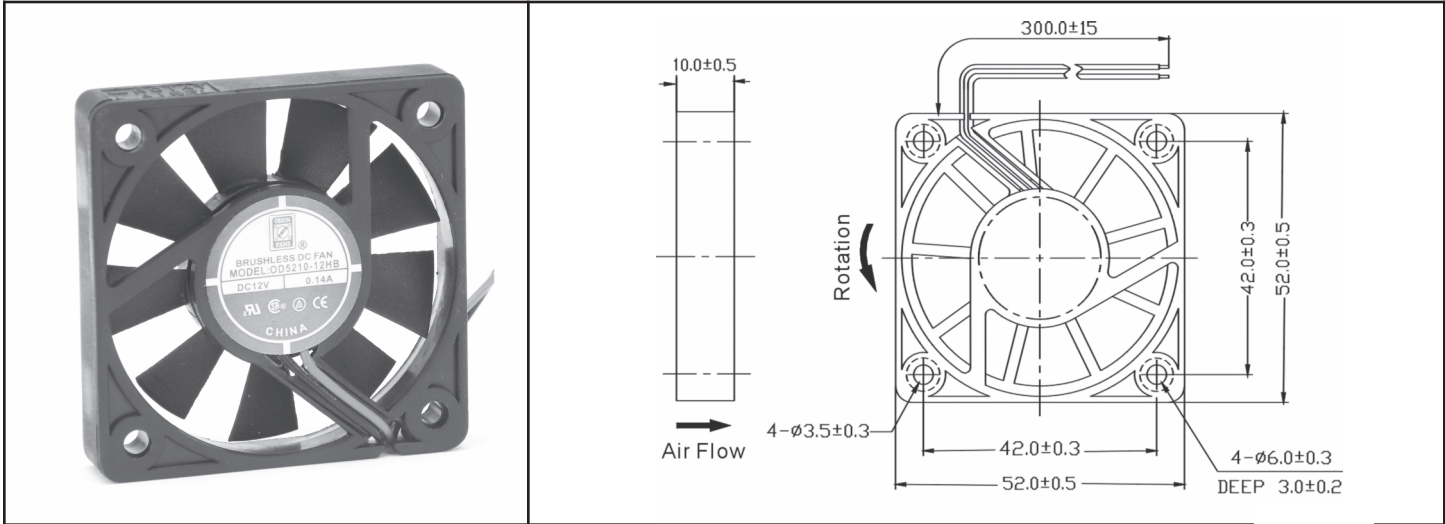


# OD5210 Series



DC Fan - 5, 12V  
52x10mm (2.05"x 0.39")



<b>Frame &amp; Impeller</b>	PBT, UL94V-0 plastic	<b>Available Options:</b> Tachometer Alarm Life Expectancy (L10) Ball - 60,000 hrs (45C) Sleeve - 30,000 hrs (45C) Operating Temperature Ball: -20C + 75C Sleeve: -10C ~ +50C  Weight: ~ 0.05 lbs  m4	
<b>Connection</b>	2x Lead wires 26AWG		
<b>Motor</b>	Brushless DC, auto restart, impedance and polarity protected		
<b>Bearing System</b>	Ball bearing or Sleeve		
<b>Insulation Resistance</b>	10M ohm between leadwire and frame (500VDC)		
<b>Dielectric Strength</b>	1 minute at 500 VAC, max leakage < 500 MicroAmp		
<b>Storage Temperature</b>	-40C ~ +80C		

Model Number	Speed (RPM)	Airflow (CFM)	Noise (dB)	Volts DC	Voltage Range (VDC)	Amps	Max. Static Pressure (H <sub>2</sub> O)
OD5210-05H *	6000	12	38	5	3.5~5.7	0.35	0.14
OD5210-05M *	5000	10	32	5	3.5~5.7	0.21	0.11
OD5210-12H *	6000	12	36	12	8~17	0.14	0.14
OD5210-12M *	5000	10	32	12	8~17	0.12	0.11

\* Indicate "B" for ball bearing or "S" for sleeve bearing