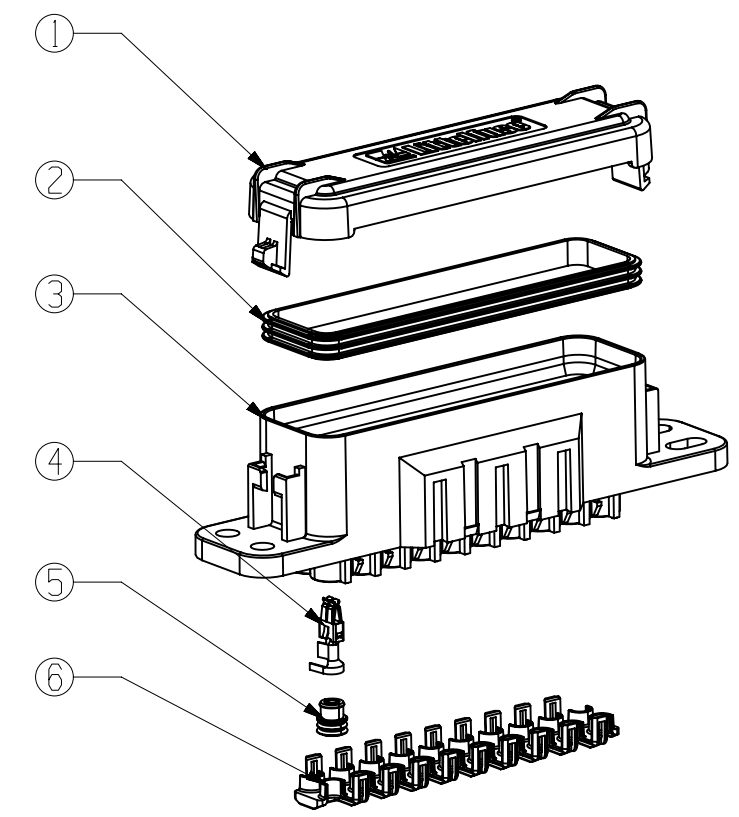
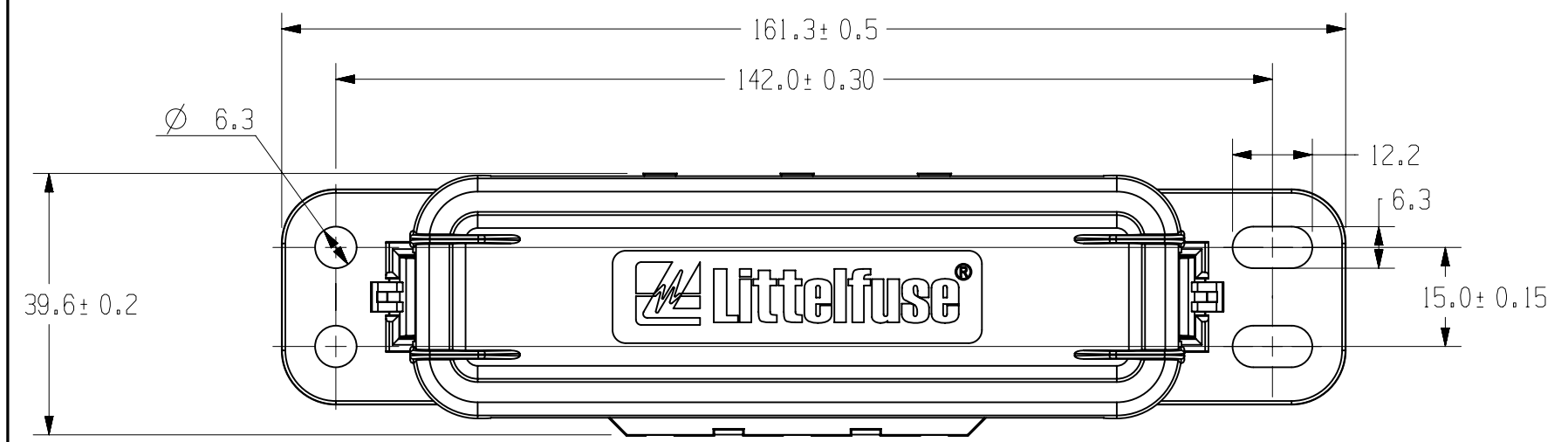


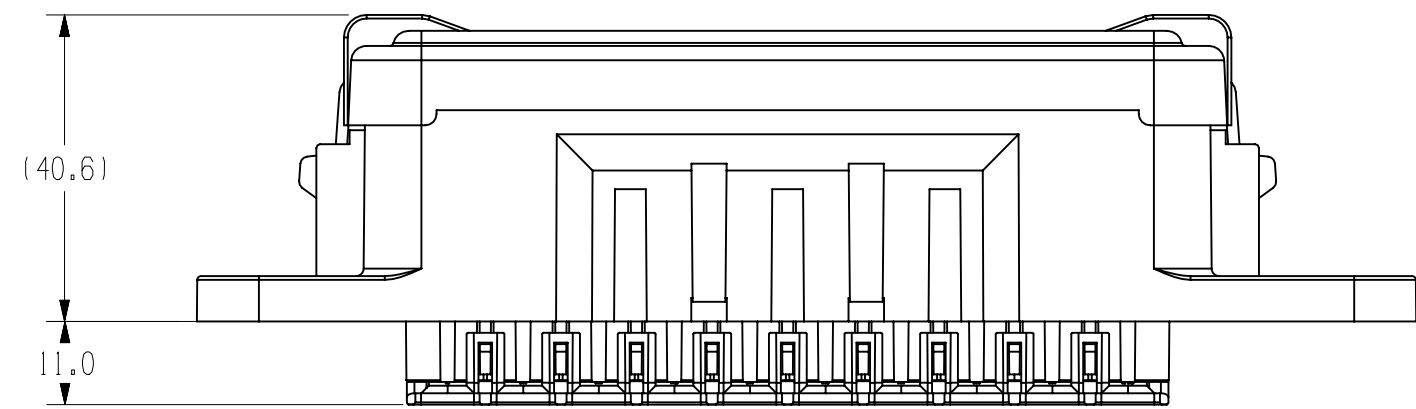
Ⓒ

FEMALE TERMINAL FOR ATO FUSE			
Cable Seal & Terminals not provided by Littelfuse. For reference only.			
CABLE SIZE mm ²	FEMALE TERMINAL (TYCO STANDARD POWER TIMER)	CABLE DIA.	CABLE SEAL
0.50 - 1	927836	1.4-2.1	963243-1/963244-1
1.0-2.5	927837	2.2-3.0	963244-1/963245-1
2.5-4.0	928966	3.4-3.7	963245-1
3.0-5.0	1241962-1	4.2	967011-1

LTR	DATE	REVISION	CHK	APD
A	2012/12/07	506933ERA NEW RELEASE EJIN		
B	07/19/13	508954ECA CHANGE COVER MATERIAL FOR HIGH TEMPERATURE USAGE, CHANGE TEMPERATURE RANGE 125 TO 85; CHANGE INPUT CAPABILITY 150 TO 210		
C	11/26/13	509872 ECA Change the name & update the notes		
D	06/25/14	510674ECA-CORRECT PART NUMBER OF COVER GASKET FYLJE		



- NOTES:
- 1. MATERIAL: COVER & base & TPA BLACK Thermoplastic-94VO
SEAL: SILICONE RUBBER, GREEN
 - 2. TORQUE RATING: 6-8 Nm USING M6 BOLT & LOCK WASHER.
 - 3. FUSE RATING: 40A PER CIRCUIT.
 - 4. OPERATING & STORAGE TEMPERATURE: -40° C TO 85° C Ⓒ
 - 5. IP SEALING CLASS PER IEC60529 IP66 & IP67.
 - 6. TERMINAL RETENTION PER USCAR 2 SECTION 5.4.1.3 USING TYCO STANDARD POWER TIMER TERMINALS (SEALED).
 - 7. TPA RETENTION PER USCAR 2 SECTION 5.4.4.4
 - 8. MAX. CONTINUOUS CURRENT: 210A FOR ENTIRE FUSEHOLDER.



NO	COMPONENT NO	DESCRIPTION	QTY/M	U/M
6	883-027	TPA		
5	SEE TABLE	SINGLE CABLE SEAL		
4	SEE TABLE	STANDARD POWER TIMER		
3	868-053	HOUSING		
2	901-057	COVER GASKET		
1	873-014	COVER		

BILL OF MATERIAL

UNLESS OTHERWISE SPECIFIED, DIMENSIONS ARE IN MILLIMETERS.
DIMENSIONS IN BRACKETS [] ARE INCHES

UNLESS OTHERWISE SPECIFIED, DIMENSIONS DO NOT INCLUDE PLATING.

Ⓒ DENOTES CRITICAL CHARACTERISTICS.

CPK DENOTES CPK DIMENSIONS, -MINIMUM CPK VALUE

Ⓔ DENOTES A CHARACTERISTIC THAT PROVIDES AN INDICATION OF PROCESS PERFORMANCE. PROCEDURE FOR MEASUREMENT AND TRACKING TO BE DEFINED IN LITTELFUSE INSPECTION INSTRUCTIONS

CP DENOTES CP DIMENSIONS, -MINIMUM CP VALUE MUST BE WITHIN THE DIMENSIONAL LIMITATIONS SHOWN ON DRAWING AND INITIALLY LOCATED TO ALLOW FOR MAXIMUM TOOL LIFE

COPIES TO	MATL SPEC SEE NOTE		
1 9 18	FINISH		
2 10 19	DRW	DATE	SCALE
3 12 20	EJIN	12/18/12	1:1
4 13 21	CHK	DATE	SUPER DR
5 14 23	APPD	DATE	FINSH GOOD WT
6 15 33			
7 16 43			
8 17 53			

TOLERANCES UNLESS OTHERWISE SPECIFIED (REF. ISO 2768-MH)

DIMENSION	0.5 - 3	3 - 6	6 - 30	30 - 120	120 - 400
TOLERANCE	±0.1	±0.15	±0.2	±0.3	±0.5

3RD ANGLE PROJECTION

TITLE HWA20 Fuseholder Ⓒ

METRIC COMPONENT

Littelfuse
DES PLAINES, ILLINOIS 60016

REVISION D

DRWG. NO. OL-PDM61001ZXM

CAD GENERATED DRAWING - NO PENCIL CHANGES ALLOWED