

PRODUCT DATA DRAWING

CAD
GENERATED
DRAWING

DCN
CONTROLLED
DOCUMENT

DWG. NO.

SF8018-6007

MATERIAL :

BODY &
COUPLING NUT: STAINLESS STEEL PER AMS-5640

LOCK RING: BERYLLIUM COPPER PER ASTM B196

GASKET: SILICONE RUBBER PER ZZ-R-765,
CLASS IIB, GRADE 50/60

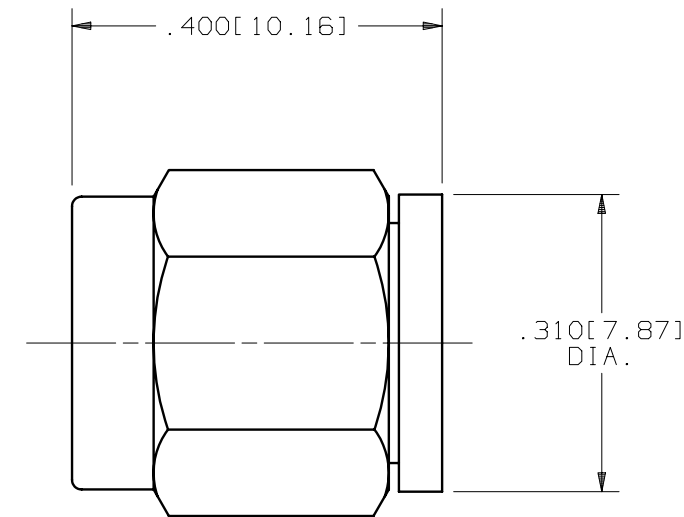
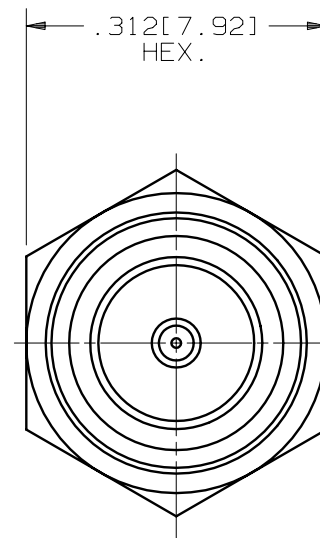
FINISH :

BODY: GOLD PER ASTM B488, TYPE II,
GRADE C, CLASS .76; OVER NICKEL
PER AMS-QQ-N-290, CLASS 1

COUPLING
NUT: PASSIVATED PER AMS-QQ-P-35, TYPE II

PERFORMANCE :

IMPEDANCE: 50 OHMS
OPERATING TEMP: -55°C TO +125°C



SYM.	DESCRIPTION	DATE	APPR.	UNLESS OTHERWISE SPECIFIED: 1) ALL DIMENSIONS ARE AFTER PLATING. 2) BREAK CORNERS & EDGES .005 R. MAX. 3) CHAM. 1st & LAST THDS. 4) SURFACE ROUGHNESS 63 / MIL-STD-10. 5) DIAS. ON COMMON CENTERS TO BE CONCENTRIC WITHIN .005 T.I.R. 6) REMOVE ALL BURRS.	DIMENSIONS ARE IN INCHES TOLERANCES:			SV Microwave, Inc. 2400 Centrepark West Drive, Suite 100 West Palm Beach, FL 33409
				DECIMALS .X ±.030 .XX ±.015 .XXX ±.005	FRACTIONAL ±1/64	ANGULAR X° ±1°0' X°X' ±15'	TITLE:	
-	REL.DCN 32745	02/05	CCC					SMA SHORT
				DRAWN: MGT 02/24/05	FINISH: SEE ABOVE	□" AREA: N/A		
				CHECKED: CCC 02/24/05	SIZE B	CAGE NO. 95077	SCALE 8X	DWG. NO. SF8018-6007
				APPROVED: CCC 02/24/05				