

## SMB5 SERIES

# 50 Ω SMB JACKS & PLUGS

## Mates with:

RF174, RF316, GRF1H-C

## SPECIFICATIONS

For complete specifications and recommended PCB layouts see [www.samtec.com?SMB5-TH](http://www.samtec.com?SMB5-TH)

## Shell Material:

Brass

## Contact Material:

Brass

## Insulator Material:

PTFE

## Impedance:

50 Ω

## Frequency Range:

0-4 GHz

## Working Voltage:

250 Vrms max

## Dielectric Withstanding:

750 Vrms min

## Operating Temp Range:

-65 °C to +165 °C

## RoHS Compliant:

Yes

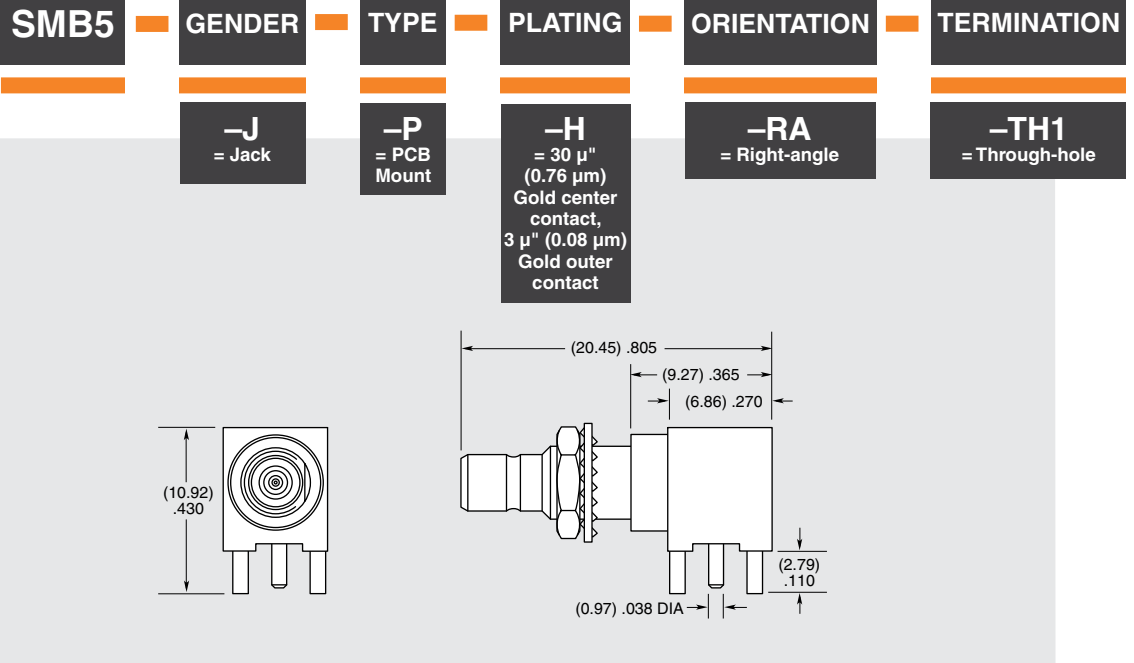
## PROCESSING

## Lead-Free Solderable:

Yes

## Note:

75 Ω version available.  
See SMB7H Series.



## SPECIFICATIONS

For complete specifications and assembly instructions see [www.samtec.com?SMB5-CA](http://www.samtec.com?SMB5-CA)

## Shell Material:

Brass

## Contact Material:

Brass (-J),  
Phosphor Bronze (-P-ST),  
BeCu (-P-RA)

## Center Contact:

Soldered

## Outer Ferrule:

Crimped

## Insulator Material:

PTFE

## Impedance:

50 Ω

## Frequency Range:

0-4 GHz

## Working Voltage:

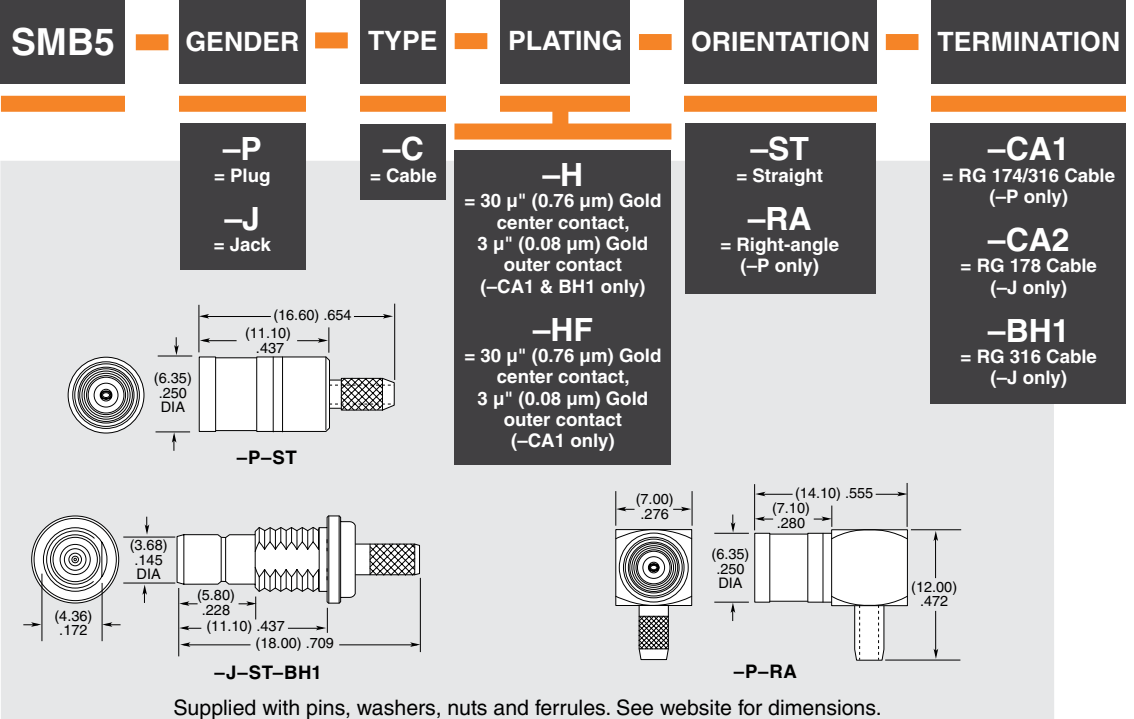
335 Vrms max

## Dielectric Withstanding:

1000 Vrms min

## Operating Temp Range:

-65 °C to +165 °C



Supplied with pins, washers, nuts and ferrules. See website for dimensions.

Due to technical progress, all designs, specifications and components are subject to change without notice.

[WWW.SAMTEC.COM](http://WWW.SAMTEC.COM)

All parts within this catalog are built to Samtec's specifications.

Customer specific requirements must be approved by Samtec and identified in a Samtec customer-specific drawing to apply.