

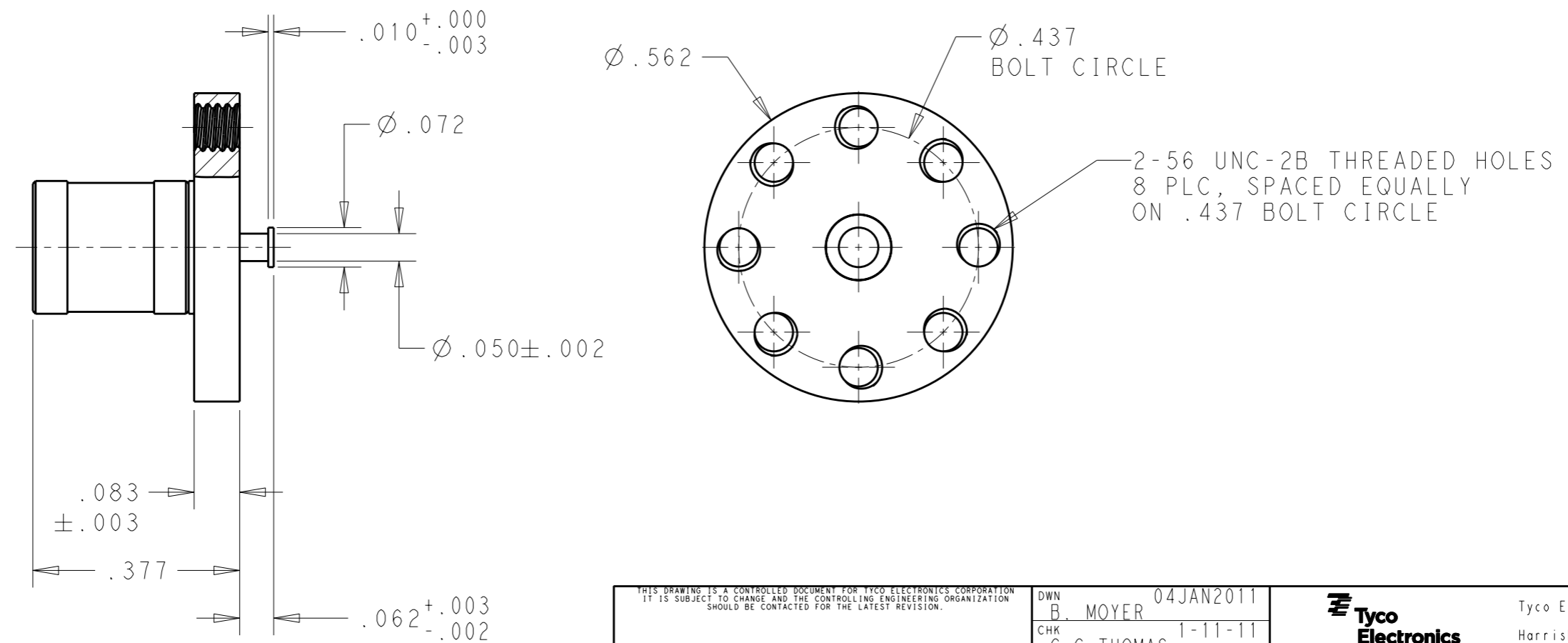
THIS DRAWING IS UNPUBLISHED. RELEASED FOR PUBLICATION
 © COPYRIGHT - BY TYCO ELECTRONICS CORPORATION. ALL INTERNATIONAL RIGHTS RESERVED.

LOC -
 DIST -

REVISIONS					
P	LTR	DESCRIPTION	DATE	DWN	APVD
A		RELEASED PER ECO 11-000477	1-11-11	BM	CT

ELECTRICAL	MECHANICAL	ENVIRONMENTAL
NOMINAL IMPEDANCE (Ohms): 50 FREQUENCY RANGE (GHz): DC to 5 VOLT RATING (VRMS MAX) @ SEA LEVEL: 250 INSERTION LOSS (dB MAX): .30 @ 1.5 GHz RF LEAKAGE (dB MIN): -55 BETWEEN 2 AND 3 GHz DWV (VRMS MIN) @ SEA LEVEL: 750 INSULATION RESISTANCE (MEGOHMS MIN): 1000 RF HI-POT (VRMS MIN @ 5 MHz): 700 (@ sea level) CORONA 70000 FT (VRMS MIN): 250	INTERFACE DIMENSIONS: PER MIL-STD-348 CENTER CONTACT CAPTIVATION (LBS): N/A FORCE TO ENGAGE/DISENGAGE (LBS MAX) : 14 DURABILITY (CYCLES MIN): 500 @ 12 CYCLES PER MINUTE MAX	TEMPERATURE RANGE (°C): -65 to 165 VIBRATION: PER MIL-STD-202, METHOD 204, CONDITION D SHOCK: PER MIL-STD-202, METHOD 213, CONDITION B THERMAL SHOCK: PER MIL-STD-202, METHOD 107, CONDITION B, HIGH TEMP +85 CORROSION: PER MIL-STD-202, METHOD 101, CONDITION B

- 1 MATERIALS:
 HOUSING AND SLEEVE: BRASS PER ASTM B 16
 CONTACT AND RETAINING RING: BERYLLIUM COPPER PER ASTM B 196
 DIELECTRIC: TEFLON PER ASTM D 1710
- 2 FINISHES:
 HOUSING, SLEEVE AND RETAINING RING: .000050 MIN GOLD PER MIL-G-45204 OVER
 .000050 MIN COPPER PER ASTM B 571
 CONTACT: .000050 MIN GOLD PER MIL-G-45204 OVER .000050 MIN NICKEL PER QQ-N-290



2101323-1
 PART NUMBER

<small>THIS DRAWING IS A CONTROLLED DOCUMENT FOR TYCO ELECTRONICS CORPORATION IT IS SUBJECT TO CHANGE AND THE CONTROLLING ENGINEERING ORGANIZATION SHOULD BE CONTACTED FOR THE LATEST REVISION.</small>		DWN B. MOYER 04JAN2011 CHK C.C. THOMAS 1-11-11 APVD B. MOYER 04JAN2011	Tyco Electronics Tyco Electronics Corporation Harrisburg, PA 17105-3608	
DIMENSIONS: INCHES 	TOLERANCES UNLESS OTHERWISE SPECIFIED: 0 PLC ±- 1 PLC ±- 2 PLC ±.01 3 PLC ±.005 4 PLC ±.0005 ANGLES ±-	PRODUCT SPEC - APPLICATION SPEC - WEIGHT -	NAME SMB, PLUG, STRIPLINE, FLANGE MOUNT SIZE A3 CAGE CODE 00779 DRAWING NO C-2101323 RESTRICTED TO -	
MATERIAL 1	FINISH 2	CUSTOMER DRAWING SCALE 4:1 SHEET 1 OF 1 REV A		