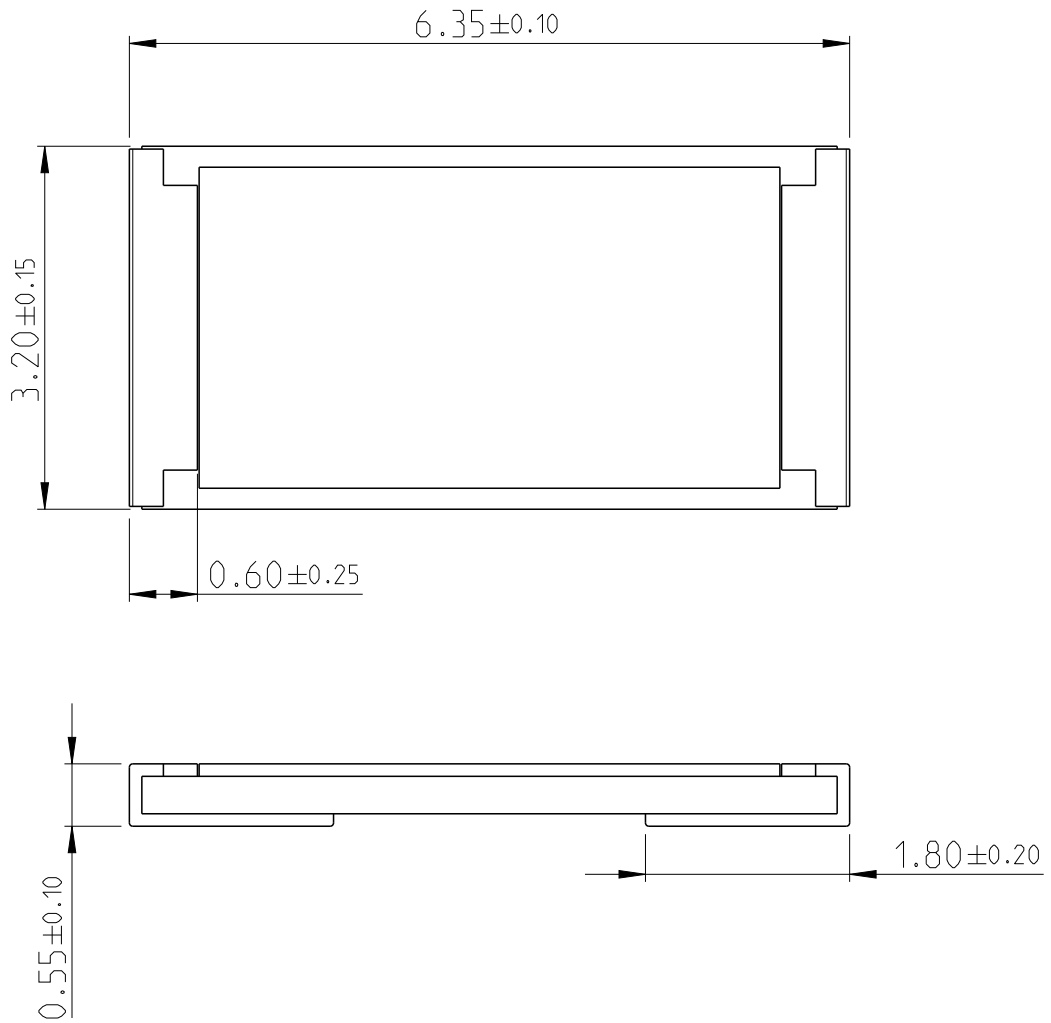
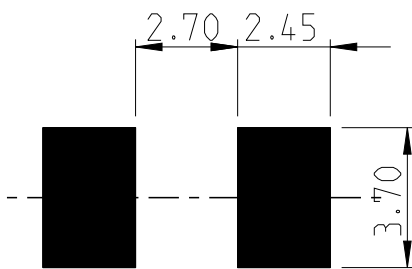


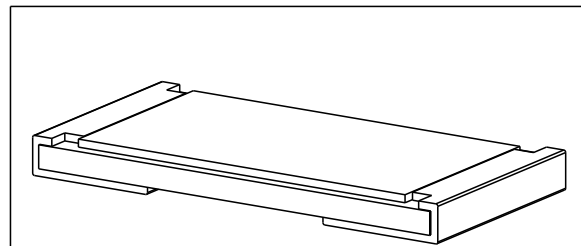
LOC	DIST	REVISIONS					
-	-	P	LTR	DESCRIPTION	DATE	DWN	APVD
		BB1	ECR-15-009470		24 JUN 2015	KR	TN



FOR FURTHER INFORMATION SEE PRODUCT SPECIFICATION FOR CRGH SERIES




RoHS Compliant



PCB LAYOUT PLAN

20
 RELEASED FOR PUBLICATION
 ALL RIGHTS RESERVED.
 BY -
 COPYRIGHT 20

DIMENSIONS: mm	DWN RAGHAVENDRA K	27 JUN 2012	MATERIAL	-	FINISH	-
	CHK ALLAN P	27 JUN 2012	 TE Connectivity			
TOLERANCES UNLESS OTHERWISE SPECIFIED:	APVD TONY N	27 JUN 2012				
	0 PLC \pm	PRODUCT SPEC	SIZE	CAGE CODE	DRAWING NO	RESTRICTED TO
1 PLC ± 0.5	-	-	A 4	00779	C-1879525	-
2 PLC ± 0.13	APPLICATION SPEC	-	Customer Drawing			
3 PLC ± 0.013	-	-	SCALE	40:1	SHEET	1 OF 1
4 PLC ± 0.0001	WEIGHT	-	REV BB1			
ANGLES \pm	