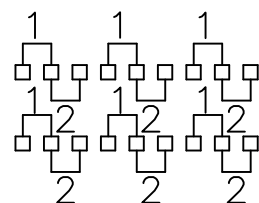
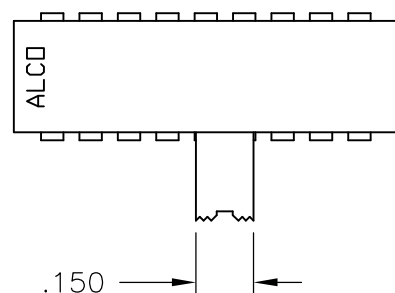


THIS DRAWING IS UNPUBLISHED. RELEASED FOR PUBLICATION
 © COPYRIGHT - BY TYCO ELECTRONICS CORPORATION. ALL RIGHTS RESERVED.

LOC	DIST	REVISIONS					
AD	00	P	LTR	DESCRIPTION	DATE	DWN	APVD
			C1	REVISED PER ECO-05-013282	12/18/07	SS	MS



6PDT
CIRCUIT DIAGRAM

Materials:

- BASE/COVER-PCT UL94V-0, BLACK
- ACTUATOR-NYLON PA46 UL94V-0, NATURAL
- MOVING CONTACT-COPPER ALLOY, SILVER OVER NICKEL
- FIXED CONTACT-COPPER ALLOY, SILVER OVER NICKEL
- TERMINAL-COPPER ALLOY, TIN/LEAD OVER NICKEL OR TIN OVER NICKEL

Electrical:

- Contact Rating, 300 milliamp @ 115V AC Per EIA-448, Method 6
- Contact resistance, 40 milliohms max @ 100mA 2-4V DC, Per EIA-364-23B, each position
- Insulation Resistance, 1000 Megohm Min @ 500V DC, Per EIA-364-21C each position
- Dielectric strength, 600 V RMS@ Sea level, Per EIA-364-20B, Condition 1, each position
- Life Expectancy, Electrical, 15,000 cycles @ full load

Mechanical:

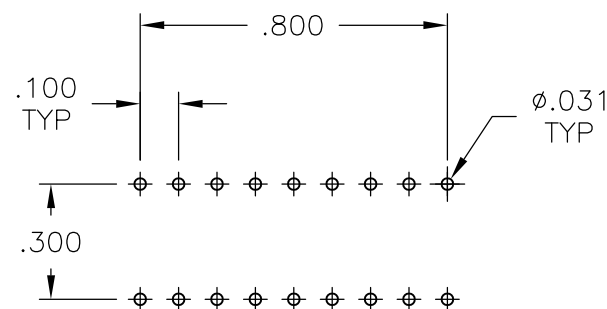
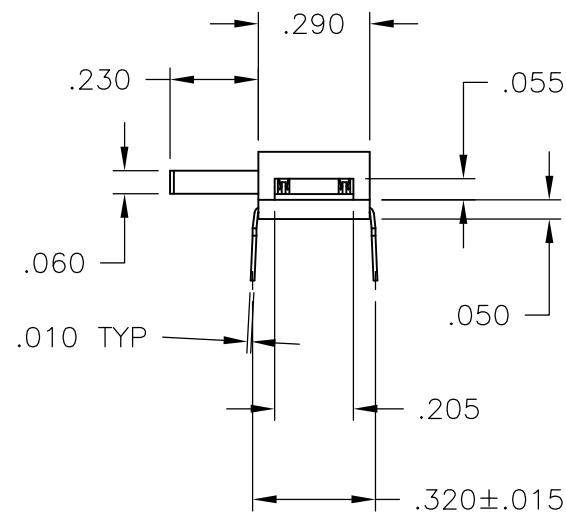
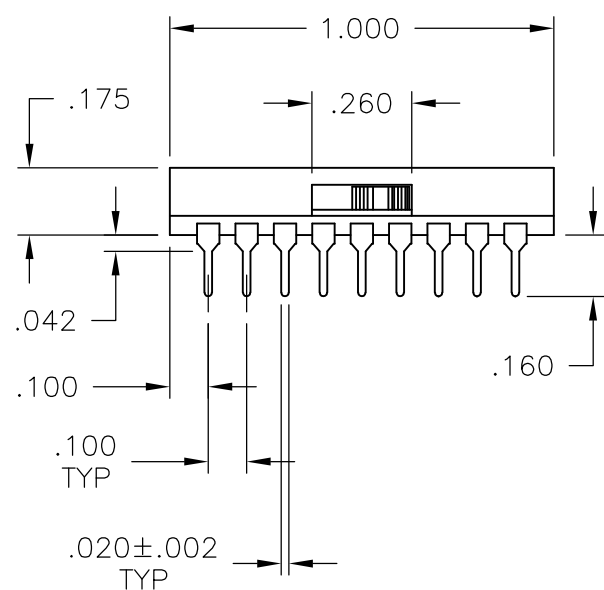
- Actuation force, 800 grams max
- Actuation Travel, .100 +/- .010
- Life Expectancy, 15,000 cycles

Environmental:

- Operating Temperature, -40 to +80 degrees C, Per EIA 448, Method 10
- Storage Temperature, -40 to +80 degrees C
- Humidity and Temperature Cycling Per EIA-364-31B, Method III
- Solderability, Per EIA-364-52, Class 2, Category 1, 95% Minimum coverage
- Resistance to Solder Heat, Per 109-202, Condition B
- Process cleaning-will withstand aqueous or solvent cleaning processes

NOTES:

- PARTS TO BE PACKAGED IN 22 INCH TUBES.
- ALL MATERIALS AND FINISHES SHALL COMPLY WITH EU DIRECTIVE 2002/95/EC OF 27JAN2003 (ROHS)



P.C.B. LAYOUT

2	ASE7125604	1825468-1
-	ASE71256	5-1437581-4
NOTES	T&B NUMBER	PART NUMBER

THIS DRAWING IS A CONTROLLED DOCUMENT.		DWN	M.BINNER	02AUG04	Tyco Electronics Corporation Harrisburg, Pa 17105-3608		
DIMENSIONS: INCHES		CHK	M.SARVER	02AUG04	NAME SPECIAL ASE PC MOUNTING		
TOLERANCES UNLESS OTHERWISE SPECIFIED:		APVD	M.SARVER	02AUG04	SIZE	CAGE CODE	DRAWING NO
0 PLC	± -	PRODUCT SPEC			A3	00779	C-5-1437581-4
1 PLC	± -	APPLICATION SPEC			RESTRICTED TO		
2 PLC	± -				-		
3 PLC	± .010				-		
4 PLC	± -				-		
ANGLES	± 1°	WEIGHT			-		
MATERIAL	-	CUSTOMER DRAWING		SCALE	2:1	SHEET	1 OF 1
FINISH	-			REV	C1		