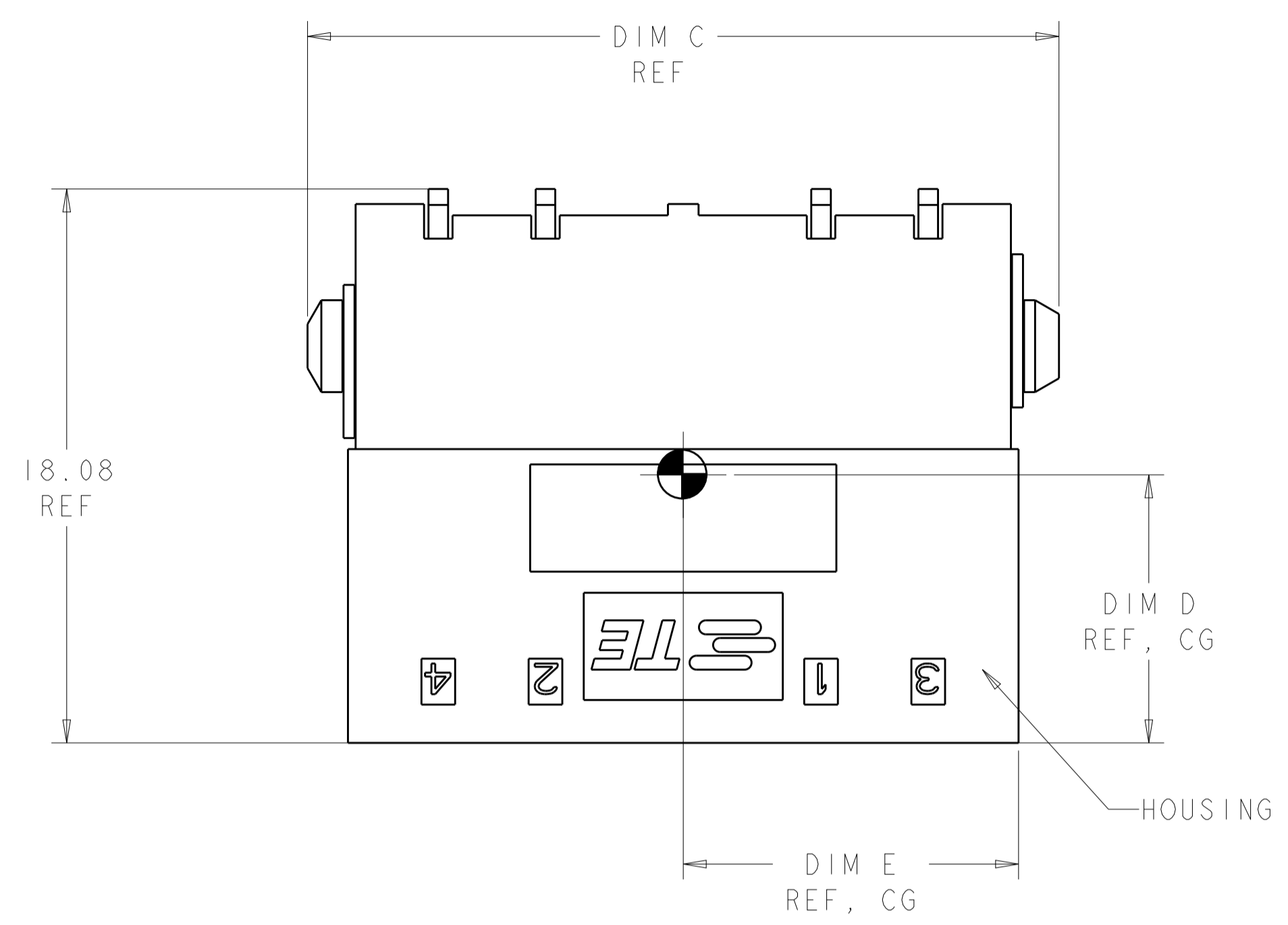
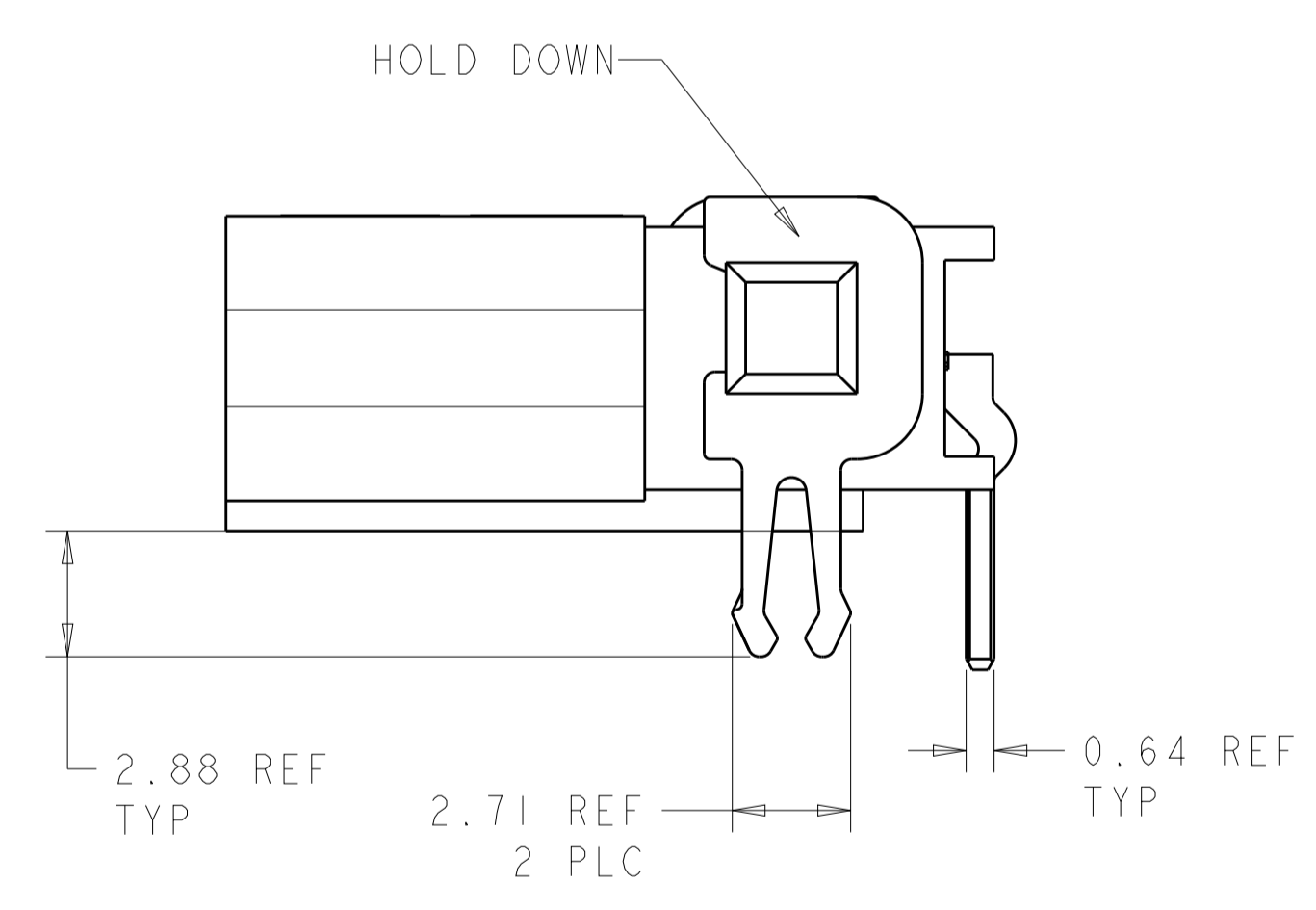
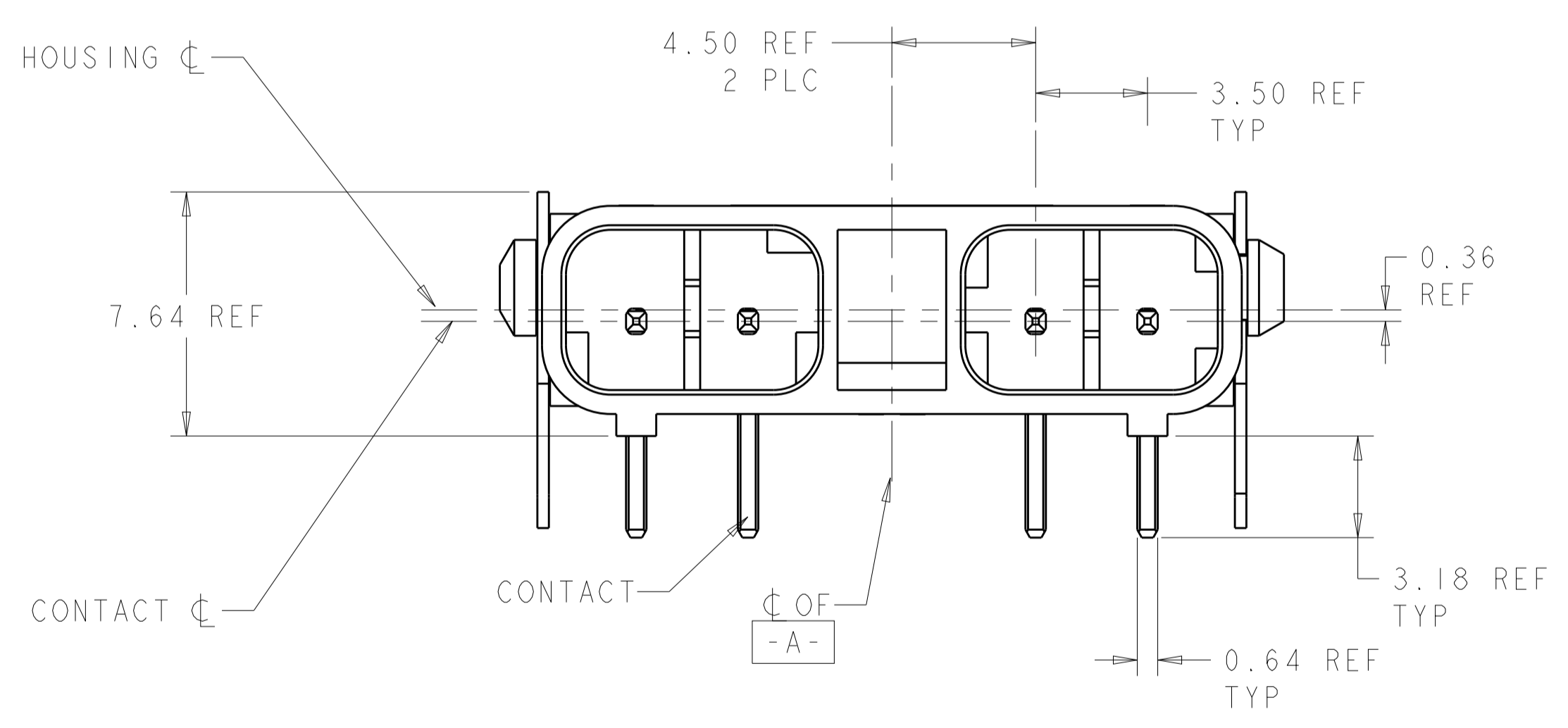


| LOC | | DIST | | REVISIONS | | | |
|-----|-----|---------------------------|-----------|-----------|------|--|--|
| P | LTN | DESCRIPTION | DATE | DWN | APVD | | |
| A | | REVISED PER ECR-10-013359 | 07JUL2010 | HMR | DD | | |
| B | | REVISED PER ECR-13-008007 | 17SEP2013 | RS | DD | | |



- 1 MATERIAL: HOUSING: LCP, COLOR: BLACK.
- 2 CONTACTS: BRASS.
FINISH: 2.54µm MIN MATTE TIN OVER NICKEL (ENTIRE POST).
- 3 HOLDDOWN: COPPER ALLOY.
FINISH: 2.54µm MIN MATTE TIN OVER NICKEL .
- 4. THIS PRODUCT HAS NOT COMPLETED VALIDATION TESTING.
- 5 RECOMMENDED PC BOARD THICKNESS OF 1.57.
- 6. PACKAGED IN TUBES.
- 7. MUST COMPLY WITH DIRECTIVE 2002/95/EC (ROHS).



| 10.94 | 10.89 | 24.54 | 10.92 | 10.92 | 4 | 2106111-6 |
|-------|-------|-------|-------|-------|------|-------------|
| 9.17 | 10.75 | 21.04 | 7.42 | 10.92 | 3 | 2106111-4 |
| 7.44 | 10.57 | 17.54 | 7.42 | 7.42 | 2 | 2106111-2 |
| DIM E | DIM D | DIM C | DIM B | DIM A | POSN | PART NUMBER |

THIS DRAWING IS A CONTROLLED DOCUMENT. DWN: HM VAN SCIO, 20FEB2009
 CHK: A. BUCHER, 20FEB2009
 APVD: A. BUCHER, 20FEB2009

STE TE Connectivity

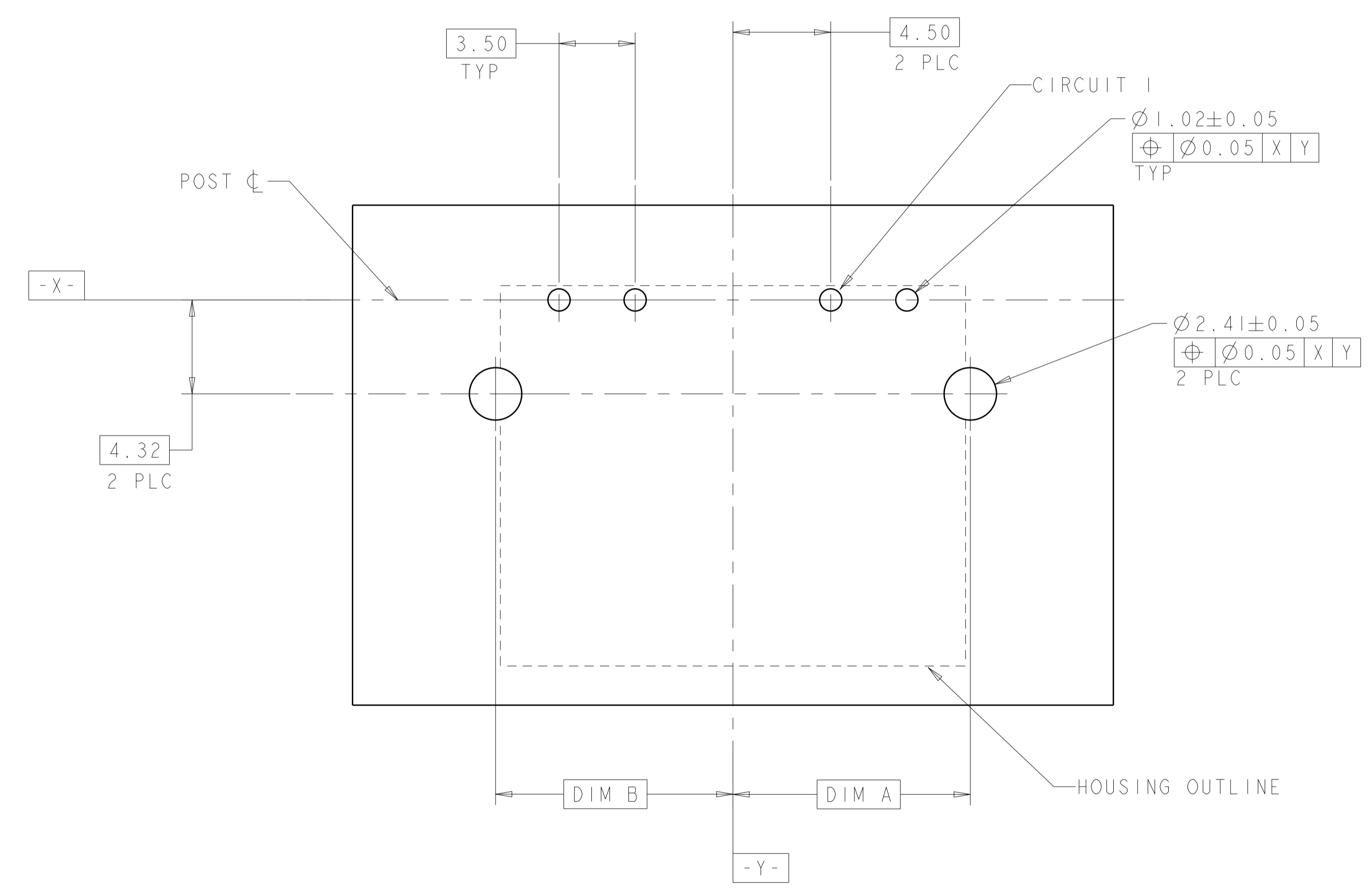
NAME: ASSEMBLY, RIGHT ANGLE THRU-HOLE HEADER, SLIMSEAL SSL CONNECTOR

PRODUCT SPEC: 108-2391
 APPLICATION SPEC: 114-13261
 WEIGHT: -

MATERIAL: FINISH:

CUSTOMER DRAWING SCALE: 4:1 SHEET 1 OF 2 REV B

| LOC | DIST | REVISIONS | | | | | |
|-----|------|-----------|-----|-------------|------|-----|------|
| | | P | LTN | DESCRIPTION | DATE | DWN | APVD |
| CM | 00 | - | - | SEE SHEET 1 | - | - | - |
| | | | | | | | |
| | | | | | | | |



RECOMMENDED PC BOARD HOLE LAYOUT, COMPONENT SIDE $\triangle 5$
 DIMENSIONS APPLY TO ALL POSITIONS, UNLESS OTHERWISE NOTED

| | | | |
|--|--|-----------------------------|--|
| THIS DRAWING IS A CONTROLLED DOCUMENT. | | DWN: HM VAN SCIO 20FEB2009 | TE Connectivity |
| | | CHK: A. BUCHER 20FEB2009 | |
| DIMENSIONS: mm | | APVD: A. BUCHER 20FEB2009 | NAME: ASSEMBLY, RIGHT ANGLE THRU-HOLE HEADER, SLIMSEAL SSL CONNECTOR |
| TOLERANCES UNLESS OTHERWISE SPECIFIED: 0 PLC ± 1 PLC ± 2 PLC ±0.13 3 PLC ±0.013 4 PLC ± ANGLES ±2° | | PRODUCT SPEC: 108-2391 | SIZE: A100779 |
| MATERIAL: - | | APPLICATION SPEC: 114-13261 | DRAWING NO: C=2106111 |
| FINISH: - | | WEIGHT: - | RESTRICTED TO: - |
| CUSTOMER DRAWING | | SCALE: 4:1 | SHEET 2 OF 2 REV B |