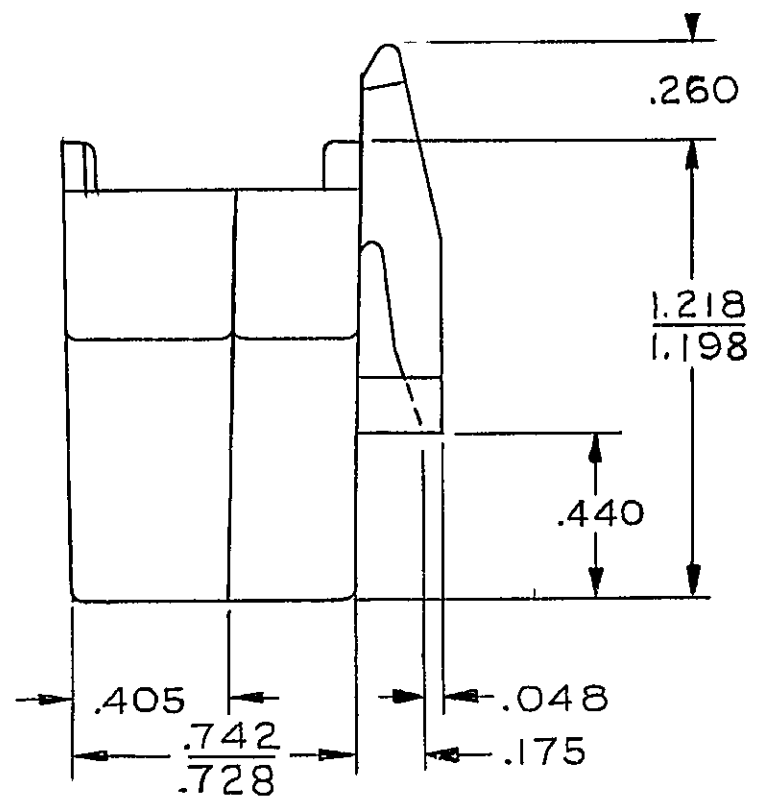
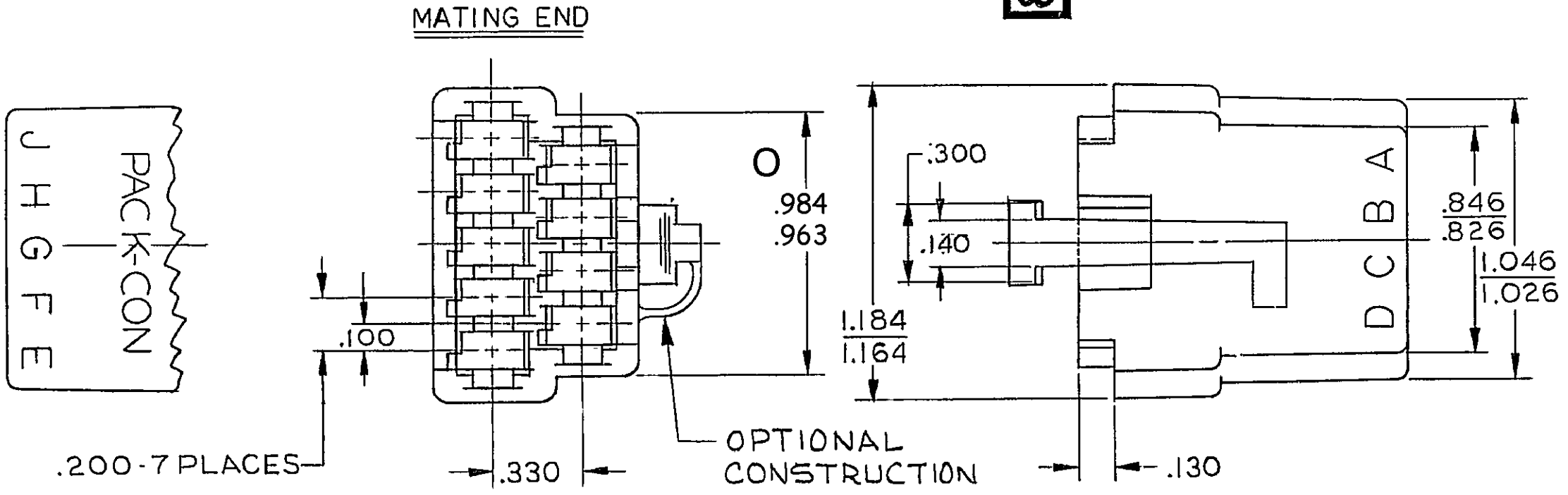


PACKARD ELECTRIC DIVISION
GENERAL MOTORS CORPORATION
WARREN, OHIO

D THIS DRAWING AND DESIGN HEREON CONSTITUTES A PROPRIETARY DESIGN OF PACKARD ELECTRIC DIVISION AND IS NOT TO BE DUPLICATED OR REPRODUCED WITHOUT AUTHORITY OF PACKARD ELECTRIC DIVISION

8900441

DO NOT SCALE



NOTE - 1. THIS PART MATES WITH 8900440, REF.
2. ANGULAR TOLERANCE ± 2°

C02D3775

DATE	SYM	REVISION RECORD	C/N NO
1-4-69	~	LOCKING FEATURE REMOVED	33988
3-12-69	∞	LOCKING FEATURE ADDED	34563
9-4-69	~	REVISED	36627
2-18-74	-	REFERENCE NO. WAS 8900441 "D" SIZE.	51966
090C85	-	ADDED FLASH WEB TO PUMP HANDLE LOCK	101257
19ND85	D	MAT'L. SPEC. WAS "POLYP. (BLACK)"	102396
27AP06	D2	.984/.963 WAS .984/.964 & MAT'L SPEC WAS POLYPROPYLENE COPOLYMER (BLACK)	280012

CODE NO. 6900	TOLERANCE UNLESS OTHERWISE SPECIFIED DECIMAL TWO PLACE ± 01 THREE PLACE ± 005	
QC		
DWG DATE 12-13-68	SCALE NONE	DR E. TOLNAR
EST NO	CK <i>M. J. Doonan</i>	DATE 12-12-68
REFERENCE NO 8917463 "E" SIZE	APPR. <i>Reaver</i>	DATE 12-13-68
MATERIAL SPEC M2097001 PP IM BLK		
NAME CONN. BODY-PACK-CON SERIES 9 FEMALE TERMINALS		
PART NO. 8900441	SIZE B	

PACKARD ELECTRIC