

Retainer Media Guard

Guard & Snap-in Retainer

Plastic - reinforced ABS, UL approved materials
Rating UL94V-O

Media

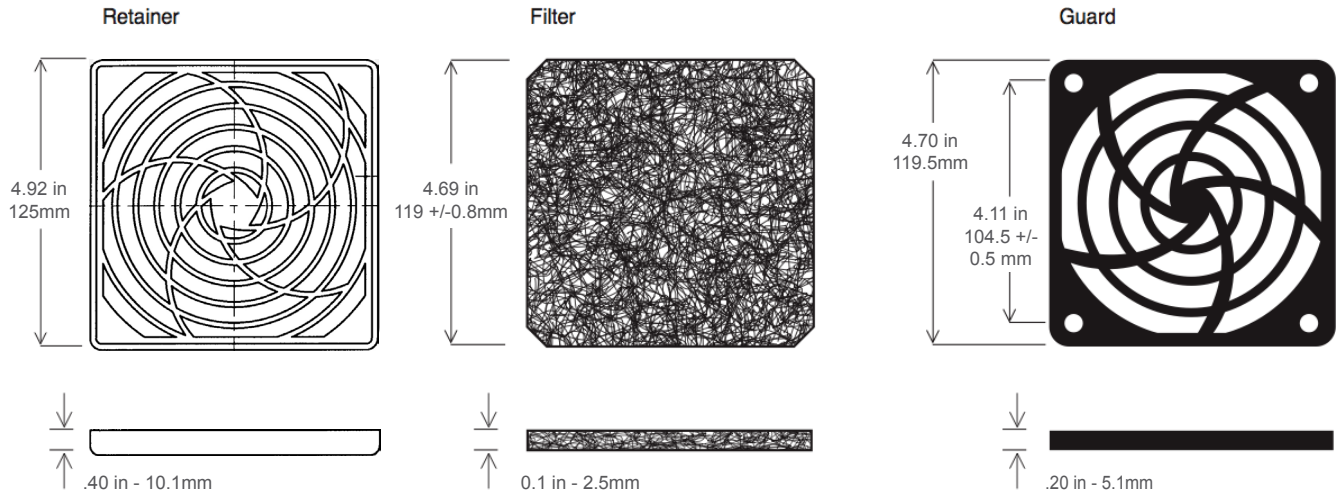
Polyurethane foam material meets UL94HF-1 or higher.

Porous mesh 30PPI, 45PPI, or 60 PPI available
PPI = Pores Per Inch.

30 or 45 PPI recommended for most fan applications

Low air resistance, filtration of particulate matter, noise abatement

Snap-in Retainer makes cleaning or replacing media simple. No tools required.



Part Number	Description
GRM120-30	120mm Fan filter kit, includes G120P guard, R120P retainer, & M120-30 media
GRM120-45	120mm Fan filter kit, includes G120P guard, R120P retainer, & M120-45 media
GRM120-30/PK	10-Pack GRM120-30 filter kits, Boxed
GRM120-45/PK	10-Pack GRM120-45 filter kits, Boxed