

World's First Wide-Range 6-Axis MEMS MotionTracking™ Device for Sports and High Impact Applications

GENERAL DESCRIPTION

Many of today's wearable and sports solutions, which analyze the motion of a user's golf or tennis swings, soccer ball kicks, or basketball activities, require higher than currently available ± 2000 dps (degrees per second) FSR for gyroscope and $\pm 16g$ FSR for accelerometer to better insure that critical data is not lost at the point of high impact or high speed rotation. The ICM-20649 6-axis inertial sensor offers the smallest size, lowest profile and lowest power in conjunction with industry leading high FSR.

With an extended FSR range of ± 4000 dps for gyroscope and $\pm 30g$ for accelerometer, the ICM-20649 enables precise analysis of contact sports applications providing continuous motion sensor data before, during and after impact providing more accurate feedback

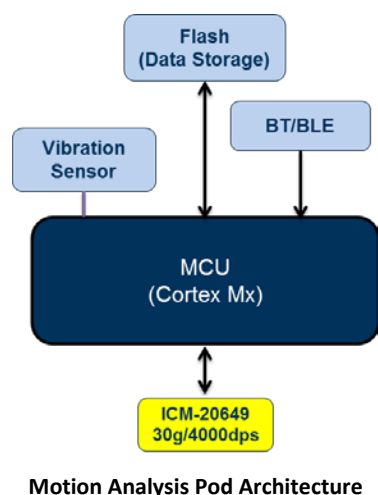
The ICM-20649 is the world's first wide-range 6-axis MotionTracking device for Sports and other High Impact applications. It is available in a 3x3x0.9 mm 24-pin QFN package.

ORDERING INFORMATION

| PART | TEMP RANGE | PACKAGE |
|------------|----------------|------------|
| ICM-20649† | -40°C to +85°C | 24-Pin QFN |

†Denotes RoHS and Green-Compliant Package

BLOCK DIAGRAM



APPLICATIONS

- Sports
- Wearable Sensors
- High Impact Applications

FEATURES

- 3-Axis gyroscope with programmable FSR of ± 500 dps, ± 100 dps, ± 2000 dps, and ± 4000 dps
- 3-Axis accelerometer with programmable FSR of $\pm 4g$, $\pm 8g$, $\pm 16g$, and $\pm 30g$
- User-programmable interrupts
- Wake-on-motion interrupt for low power operation of applications processor
- 512-byte FIFO buffer enables the applications processor to read the data in bursts
- On-Chip 16-bit ADCs and Programmable Filters
- DMP Enabled:
 - SMD, Step Count, Step Detect, Activity Classifier, RV, GRV
 - Calibration of accel/gyro/compass
- Host interface: 7 MHz SPI or 400 kHz I²C
- Digital-output temperature sensor
- VDD operating range of 1.71V to 3.6V
- MEMS structure hermetically sealed and bonded at wafer level
- RoHS and Green compliant

TYPICAL OPERATING CIRCUIT

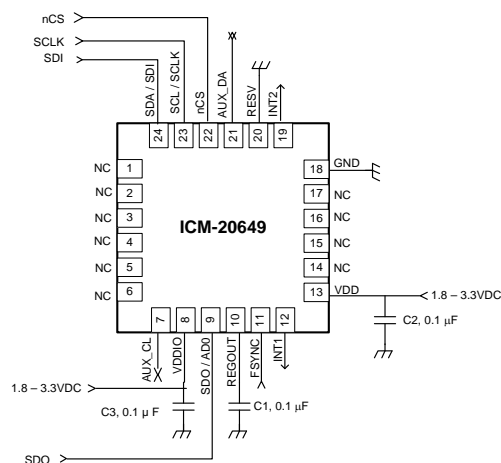


TABLE OF CONTENTS

GENERAL DESCRIPTION..... 1

ORDERING INFORMATION..... 1

APPLICATIONS..... 1

FEATURES..... 1

TYPICAL OPERATING CIRCUIT 1

1 Introduction 10

 1.1 Purpose and Scope..... 10

 1.2 Product Overview..... 10

2 Features 11

 2.1 Gyroscope Features 11

 2.2 Accelerometer Features..... 11

 2.3 DMP Features..... 11

 2.4 Additional Features 11

3 Electrical Characteristics 12

 3.1 Gyroscope Specifications 12

 3.2 Accelerometer Specifications..... 13

 3.3 Electrical Specifications..... 14

 3.3.1 D.C. Electrical Characteristics..... 14

 3.3.2 A.C. Electrical Characteristics 15

 3.3.3 Other Electrical Specifications 16

 3.4 I²C Timing Characterization..... 17

 3.5 SPI Timing Characterization 18

 3.6 Absolute Maximum Ratings 19

4 Applications Information 20

 4.1 Pin Out Diagram and Signal Description 20

 4.2 Typical Operating Circuit..... 21

 4.3 Bill of Materials for External Components 21

 4.4 Block Diagram 22

 4.5 Overview 22

 4.6 Three-Axis MEMS Gyroscope with 16-bit ADCs and Signal Conditioning 23

 4.7 Three-Axis MEMS Accelerometer with 16-bit ADCs and Signal Conditioning..... 23

 4.8 Digital Motion Processor..... 23

 4.9 Primary I²C and SPI Serial Communications Interfaces 23

 4.9.1 ICM-20649 Solution Using I²C Interface..... 23

 4.9.2 ICM-20649 Solution Using SPI Interface 25

 4.10 Auxiliary I²C Serial Interface..... 26

 4.11 Auxiliary I²C Bus Modes of Operation:..... 26

 4.12 Self-Test 26

| | | |
|--------|--|----|
| 4.13 | Clocking..... | 26 |
| 4.14 | Sensor Data Registers | 27 |
| 4.15 | FIFO..... | 27 |
| 4.16 | FSYNC..... | 27 |
| 4.17 | Interrupts..... | 27 |
| 4.18 | Digital-Output Temperature Sensor | 27 |
| 4.19 | Bias and LDOs | 27 |
| 4.20 | Charge Pump | 27 |
| 4.21 | Power Modes..... | 28 |
| 5 | Programmable Interrupts | 29 |
| 6 | Digital Interface | 30 |
| 6.1 | I ² C and SPI Serial Interfaces | 30 |
| 6.2 | I ² C Interface..... | 30 |
| 6.3 | I ² C Communications Protocol | 31 |
| 6.4 | I ² C Terms | 33 |
| 6.5 | SPI Interface | 33 |
| 7 | Register Map..... | 35 |
| 7.1 | User Bank 0 Register Map:..... | 35 |
| 7.2 | User Bank 1 Register Map:..... | 36 |
| 7.3 | User Bank 2 Register Map:..... | 36 |
| 7.4 | User Bank 3 Register Map:..... | 37 |
| 8 | Register Descriptions | 38 |
| 8.1 | USR Bank 0 Register Map..... | 38 |
| 8.1.1 | WHO_AM_I | 38 |
| 8.1.2 | USER_CTRL | 38 |
| 8.1.3 | LP_CONFIG | 39 |
| 8.1.4 | PWR_MGMT_1..... | 39 |
| 8.1.5 | PWR_MGMT_2..... | 40 |
| 8.1.6 | INT_PIN_CFG | 40 |
| 8.1.7 | INT_ENABLE | 41 |
| 8.1.8 | INT_ENABLE_1 | 41 |
| 8.1.9 | INT_ENABLE_2 | 41 |
| 8.1.10 | INT_ENABLE_3 | 42 |
| 8.1.11 | I2C_MST_STATUS | 42 |
| 8.1.12 | INT_STATUS | 42 |
| 8.1.13 | 12.1.13 INT_STATUS_1 | 43 |
| 8.1.14 | INT_STATUS_2 | 43 |
| 8.1.15 | INT_STATUS_3 | 43 |
| 8.1.16 | DELAY_TIMEH | 43 |
| 8.1.17 | DELAY_TIMEL..... | 44 |

| | | |
|--------|----------------------------|----|
| 8.1.18 | ACCEL_XOUT_H | 44 |
| 8.1.19 | ACCEL_XOUT_L | 44 |
| 8.1.20 | ACCEL_YOUT_H | 44 |
| 8.1.21 | ACCEL_YOUT_L | 45 |
| 8.1.22 | ACCEL_ZOUT_H..... | 45 |
| 8.1.23 | ACCEL_ZOUT_L | 45 |
| 8.1.24 | GYRO_XOUT_H | 45 |
| 8.1.25 | GYRO_XOUT_L..... | 46 |
| 8.1.26 | GYRO_YOUT_H | 46 |
| 8.1.27 | GYRO_YOUT_L | 46 |
| 8.1.28 | GYRO_ZOUT_H | 46 |
| 8.1.29 | GYRO_ZOUT_L | 47 |
| 8.1.30 | TEMP_OUT_H | 47 |
| 8.1.31 | TEMP_OUT_L..... | 47 |
| 8.1.32 | EXT_SLV_SENS_DATA_00 | 47 |
| 8.1.33 | EXT_SLV_SENS_DATA_01 | 48 |
| 8.1.34 | EXT_SLV_SENS_DATA_02 | 48 |
| 8.1.35 | EXT_SLV_SENS_DATA_03 | 48 |
| 8.1.36 | EXT_SLV_SENS_DATA_04 | 48 |
| 8.1.37 | EXT_SLV_SENS_DATA_05 | 49 |
| 8.1.38 | EXT_SLV_SENS_DATA_06 | 49 |
| 8.1.39 | EXT_SLV_SENS_DATA_07 | 49 |
| 8.1.40 | EXT_SLV_SENS_DATA_08 | 49 |
| 8.1.41 | EXT_SLV_SENS_DATA_09 | 50 |
| 8.1.42 | EXT_SLV_SENS_DATA_10 | 50 |
| 8.1.43 | EXT_SLV_SENS_DATA_11 | 50 |
| 8.1.44 | EXT_SLV_SENS_DATA_12 | 50 |
| 8.1.45 | EXT_SLV_SENS_DATA_13 | 51 |
| 8.1.46 | EXT_SLV_SENS_DATA_14 | 51 |
| 8.1.47 | EXT_SLV_SENS_DATA_15 | 51 |
| 8.1.48 | EXT_SLV_SENS_DATA_16 | 51 |
| 8.1.49 | EXT_SLV_SENS_DATA_17 | 52 |
| 8.1.50 | EXT_SLV_SENS_DATA_18 | 52 |
| 8.1.51 | EXT_SLV_SENS_DATA_19 | 52 |
| 8.1.52 | EXT_SLV_SENS_DATA_20 | 52 |
| 8.1.53 | EXT_SLV_SENS_DATA_21 | 53 |
| 8.1.54 | EXT_SLV_SENS_DATA_22 | 53 |
| 8.1.55 | EXT_SLV_SENS_DATA_23 | 53 |
| 8.1.56 | FIFO_EN_1 | 54 |
| 8.1.57 | FIFO_EN_2 | 54 |

| | | |
|--------|-------------------------------|----|
| 8.1.58 | FIFO_RST | 55 |
| 8.1.59 | FIFO_MODE | 55 |
| 8.1.60 | FIFO_COUNTH..... | 55 |
| 8.1.61 | FIFO_COUNTL | 55 |
| 8.1.62 | FIFO_R_W | 56 |
| 8.1.63 | DATA_RDY_STATUS | 56 |
| 8.1.64 | FIFO_CFG | 56 |
| 8.1.65 | REG_BANK_SEL | 56 |
| 8.2 | USR Bank 1 Register Map | 57 |
| 8.2.1 | SELF_TEST_X_GYRO | 57 |
| 8.2.2 | SELF_TEST_Y_GYRO | 57 |
| 8.2.3 | SELF_TEST_Z_GYRO..... | 57 |
| 8.2.4 | SELF_TEST_X_ACCEL | 57 |
| 8.2.5 | SELF_TEST_Y_ACCEL..... | 58 |
| 8.2.6 | SELF_TEST_Z_ACCEL..... | 58 |
| 8.2.7 | XA_OFFS_H..... | 58 |
| 8.2.8 | XA_OFFS_L | 58 |
| 8.2.9 | YA_OFFS_H..... | 58 |
| 8.2.10 | YA_OFFS_L | 59 |
| 8.2.11 | ZA_OFFS_H | 59 |
| 8.2.12 | ZA_OFFS_L | 59 |
| 8.2.13 | TIMEBASE_CORRECTION_PLL..... | 59 |
| 8.2.14 | REG_BANK_SEL | 60 |
| 8.3 | USR Bank 2 Register Map | 61 |
| 8.3.1 | GYRO_SMPLRT_DIV..... | 61 |
| 8.3.2 | GYRO_CONFIG_1..... | 61 |
| 8.3.3 | GYRO_CONFIG_2..... | 62 |
| 8.3.4 | XG_OFFS_USRH..... | 63 |
| 8.3.5 | XG_OFFS_USRL..... | 64 |
| 8.3.6 | YG_OFFS_USRH..... | 64 |
| 8.3.7 | YG_OFFS_USRL..... | 64 |
| 8.3.8 | ZG_OFFS_USRH | 64 |
| 8.3.9 | ZG_OFFS_USRL..... | 64 |
| 8.3.10 | ODR_ALIGN_EN | 65 |
| 8.3.11 | ACCEL_SMPLRT_DIV_1 | 65 |
| 8.3.12 | ACCEL_SMPLRT_DIV_2 | 65 |
| 8.3.13 | ACCEL_INTEL_CTRL..... | 65 |
| 8.3.14 | ACCEL_WOM_THR..... | 66 |
| 8.3.15 | ACCEL_CONFIG | 66 |
| 8.3.16 | ACCEL_CONFIG_2 | 67 |

| | | |
|--------|---|----|
| 8.3.17 | FSYNC_CONFIG | 69 |
| 8.3.18 | TEMP_CONFIG | 69 |
| 8.3.19 | MOD_CTRL_USR | 70 |
| 8.3.20 | REG_BANK_SEL | 70 |
| 8.4 | USR Bank 3 Register Map | 71 |
| 8.4.1 | I2C_MST_ODR_CONFIG | 71 |
| 8.4.2 | I2C_MST_CTRL | 71 |
| 8.4.3 | I2C_MST_DELAY_CTRL | 71 |
| 8.4.4 | I2C_SLV0_ADDR | 72 |
| 8.4.5 | I2C_SLV0_REG | 72 |
| 8.4.6 | I2C_SLV0_CTRL | 72 |
| 8.4.7 | I2C_SLV0_DO | 73 |
| 8.4.8 | I2C_SLV1_ADDR | 73 |
| 8.4.9 | I2C_SLV1_REG | 73 |
| 8.4.10 | I2C_SLV1_CTRL | 74 |
| 8.4.11 | SLV1_DO | 74 |
| 8.4.12 | I2C_SLV2_ADDR | 75 |
| 8.4.13 | I2C_SLV2_REG | 75 |
| 8.4.14 | I2C_SLV2_CTRL | 75 |
| 8.4.15 | I2C_SLV2_DO | 76 |
| 8.4.16 | I2C_SLV3_ADDR | 76 |
| 8.4.17 | I2C_SLV3_REG | 76 |
| 8.4.18 | I2C_SLV3_CTRL | 77 |
| 8.4.19 | I2C_SLV3_DO | 77 |
| 8.4.20 | I2C_SLV4_ADDR | 78 |
| 8.4.21 | I2C_SLV4_REG | 78 |
| 8.4.22 | I2C_SLV4_CTRL | 78 |
| 8.4.23 | I2C_SLV4_DO | 78 |
| 8.4.24 | I2C_SLV4_DI | 79 |
| 8.4.25 | REG_BANK_SEL | 79 |
| 9 | Use Notes | 80 |
| 9.1 | Gyroscope Mode Transition | 80 |
| 9.2 | Power Management 1 Register Setting | 80 |
| 9.3 | DMP Memory Access | 80 |
| 9.4 | Time Base Correction | 80 |
| 9.5 | I ² C Master Clock Frequency | 81 |
| 9.6 | Clocking | 81 |
| 9.7 | LP_EN Bit-Field Usage | 82 |
| 9.8 | Register Access Using SPI Interface | 82 |
| 10 | Orientation of Axes | 83 |

| | | |
|----|---------------------------------|----|
| 11 | Package Dimensions | 84 |
| 12 | Part Number Part Markings | 86 |
| 13 | References | 87 |
| 14 | Revision History | 88 |

LIST OF FIGURES

Figure 1. I²C Bus Timing Diagram 17

Figure 2. SPI Bus Timing Diagram..... 18

Figure 3. Pin out Diagram for ICM-20649 3.0x3.0x0.9 mm QFN..... 20

Figure 4. ICM-20649 Application Schematic (a) I²C operation (b) SPI operation 21

Figure 5. ICM-20649 Block Diagram..... 22

Figure 6. ICM-20649 Solution Using I²C Interface..... 24

Figure 7. ICM-20649 Solution Using SPI Interface 25

Figure 8. START and STOP Conditions..... 31

Figure 9. Acknowledge on the I²C Bus 31

Figure 10. Complete I²C Data Transfer..... 32

Figure 11. Typical SPI Master / Slave Configuration 34

Figure 12. Orientation of Axes of Sensitivity and Polarity of Rotation 83

Figure 13. Package Dimensions..... 84

Figure 14. Part Number Package Markings..... 86

LIST OF TABLES

Table 1. Gyroscope Specifications 12

Table 2. Accelerometer Specifications 13

Table 3. D.C. Electrical Characteristics 14

Table 4. A.C. Electrical Characteristics 16

Table 5. Other Electrical Specifications 16

Table 6. I²C Timing Characteristics 17

Table 7. SPI Timing Characteristics (7 MHz) 18

Table 8. Absolute Maximum Ratings 19

Table 9. Signal Descriptions 20

Table 10. Bill of Materials 21

Table 11. Power Modes for ICM-20649 28

Table 12. Table of Interrupt Sources 29

Table 13. Serial Interface 30

Table 14. I²C Terms 33

Table 15. Configuration 62

Table 16. Gyroscope Filter Bandwidths (Low-Power Mode) 63

Table 17. Accelerometer Configuration 67

Table 18. Accelerometer Configuration 2 68

Table 19. I²C Master Clock Frequency 81

Table 20. Package Dimensions 85

Table 21. Part Number Package Markings 86

1 INTRODUCTION

1.1 PURPOSE AND SCOPE

This document is a preliminary product specification, providing a description, specifications, and design related information on the ICM-20649 MotionTracking device.

Final specifications are available via our sales contacts. For references to register map and descriptions of individual registers, please refer to the ICM-20649 Register Map and Register Descriptions sections.

1.2 PRODUCT OVERVIEW

The ICM-20649 is a MotionTracking device that combines a 3-axis gyroscope, 3-axis accelerometer, and a Digital Motion Processor™ (DMP) all in a small 3.0x3.0x0.9mm QFN package. The device supports the following features:

- Android Lollipop support
- FIFO of size 512 bytes (FIFO size will vary depending on DMP feature-set)
- Runtime Calibration
- Enhanced FSYNC functionality to improve timing for applications like EIS

ICM-20649 devices, with their 6-axis integration, on-chip DMP, and run-time calibration firmware, enable manufacturers to eliminate the costly and complex selection, qualification, and system level integration of discrete devices, guaranteeing optimal motion performance for consumers.

The gyroscope has a programmable full-scale range up to ± 4000 dps. The accelerometer has a user-programmable accelerometer full-scale range up to $\pm 30g$. Factory-calibrated initial sensitivity of both sensors reduces production-line calibration requirements.

Other key features include on-chip 16-bit ADCs, programmable digital filters, an embedded temperature sensor, and programmable interrupts. The device features I²C and SPI serial interfaces, a VDD operating range of 1.71V to 3.6V, and a separate digital IO supply, VDDIO from 1.71V to 3.6V.

Communication with all registers of the device is performed using I²C at up to 100 kHz (standard-mode) or up to 400 kHz (fast-mode), or SPI at up to 7 MHz.

By leveraging its patented and volume-proven CMOS-MEMS fabrication platform, which integrates MEMS wafers with companion CMOS electronics through wafer-level bonding, InvenSense has driven the package size down to a footprint and thickness of 3.0x3.0x0.9 mm (24-pin QFN), to provide a very small yet high-performance, low-cost package. The device provides high robustness by supporting 10,000g shock reliability.

2 FEATURES

2.1 GYROSCOPE FEATURES

The triple-axis MEMS gyroscope in the ICM-20649 includes the following features:

- Digital-output X-, Y-, and Z-axis angular rate sensors (gyroscopes) with a user-programmable full-scale range of ± 500 dps, ± 1000 dps, ± 2000 dps, and ± 4000 dps and integrated 16-bit ADCs
- Digitally-programmable low-pass filter
- Factory calibrated sensitivity scale factor
- Self-test

2.2 ACCELEROMETER FEATURES

The triple-axis MEMS accelerometer in ICM-20649 includes the following features:

- Digital-output X-, Y-, and Z-axis accelerometer with a programmable full scale range of $\pm 4g$, $\pm 8g$, $\pm 16g$, and $\pm 30g$ and integrated 16-bit ADCs
- User-programmable interrupts
- Wake-on-motion interrupt for low power operation of applications processor
- Self-test

2.3 DMP FEATURES

The DMP in ICM-20649 includes the following capabilities:

- Offloads computation of motion processing algorithms from the host processor. The DMP can be used to minimize power, simplify timing, simplify the software architecture, and save valuable MIPS on the host processor for use in applications.
- Optimized for Android Lollipop for low power features (AP suspended) including SMD, Step Count, Step Detect, Activity Classification, Rotation Vector, and Gaming Rotation Vector
- Optimized for Android Lollipop batching, both while the AP is active and suspended. The DMP will also batch data from externally connected sensors such as a compass, or pressure sensor.
- The DMP enables ultra-low power run-time and background calibration of the accelerometer, gyroscope, and compass, maintaining optimal performance of the sensor data for both physical and virtual sensors generated through sensor fusion. This enables the best user experience for all sensor enabled applications for the lifetime of the device.
- DMP features simplify the software architecture resulting in quicker time to market.
- DMP features are OS, Platform, and Architecture independent, supporting virtually any AP, MCU, or other embedded architecture.

2.4 ADDITIONAL FEATURES

The ICM-20649 includes the following additional features:

- I²C at up to 100 kHz (standard-mode) or up to 400 kHz (fast-mode) or SPI at up to 7 MHz for communication with registers
- Auxiliary master I²C bus for reading data from external sensors (e.g. magnetometer)
- Digital-output temperature sensor
- 10,000g shock tolerant
- MEMS structure hermetically sealed and bonded at wafer level
- RoHS and Green compliant

3 ELECTRICAL CHARACTERISTICS

3.1 GYROSCOPE SPECIFICATIONS

Typical Operating Circuit of section 4.2, VDD = 1.8 V, VDDIO = 1.8 V, T_A = 25°C, unless otherwise noted.

Note: All specifications apply to Standard (Duty-Cycled) Mode and Low-Noise Mode, unless noted otherwise.

| PARAMETER | CONDITIONS | MIN | TYP | MAX | UNITS | NOTES |
|---|---|-----|--------|--------|-----------|-------|
| GYROSCOPE SENSITIVITY | | | | | | |
| Full-Scale Range | GYRO_FS_SEL = 0 | | ±500 | | dps | 1 |
| | GYRO_FS_SEL = 1 | | ±1000 | | dps | 1 |
| | GYRO_FS_SEL = 2 | | ±2000 | | dps | 1 |
| | GYRO_FS_SEL = 3 | | ±4000 | | dps | 1 |
| Gyroscope ADC Word Length | | | 16 | | bits | 1 |
| Sensitivity Scale Factor | GYRO_FS_SEL = 0 | | 65.5 | | LSB/(dps) | 1 |
| | GYRO_FS_SEL = 1 | | 32.8 | | LSB/(dps) | 1 |
| | GYRO_FS_SEL = 2 | | 16.4 | | LSB/(dps) | 1 |
| | GYRO_FS_SEL = 3 | | 8.2 | | LSB/(dps) | 1 |
| Sensitivity Scale Factor Tolerance | 25°C | | ±0.5 | | % | 3 |
| Sensitivity Scale Factor Variation Over Temperature | -40°C to +85°C | | ±2 | | % | 2 |
| Nonlinearity | Best fit straight line; 25°C | | ±0.1 | | % | 2, 4 |
| Cross-Axis Sensitivity | | | ±2 | | % | 2, 4 |
| ZERO-RATE OUTPUT (ZRO) | | | | | | |
| Initial ZRO Tolerance | 25°C (Component-level) | | ±5 | | dps | 3 |
| ZRO Variation Over Temperature | -40°C to +85°C | | ±0.05 | | dps/°C | 2 |
| GYROSCOPE NOISE PERFORMANCE (GYRO_FS_SEL=0) | | | | | | |
| Noise Spectral Density | Based on Noise Bandwidth = 10 Hz | | 0.0175 | | dps/√Hz | 3 |
| GYROSCOPE MECHANICAL FREQUENCIES | | 25 | 27 | 29 | kHz | 3 |
| LOW PASS FILTER RESPONSE | Programmable Range | 5.7 | | 197 | Hz | 1, 4 |
| GYROSCOPE START-UP TIME | | | 35 | | ms | 2, 4 |
| OUTPUT DATA RATE | Standard (duty-cycled) Mode | 4.4 | | 562.5 | Hz | 1 |
| | Low-Noise Mode GYRO_FCHOICE = 1; GYRO_DLPFCFG = x | 4.4 | | 1.125k | Hz | |
| | Low-Noise Mode GYRO_FCHOICE = 0; GYRO_DLPFCFG = x | | | 9k | Hz | |

Table 1. Gyroscope Specifications

Notes:

1. Guaranteed by design.
2. Derived from validation or characterization of parts, not guaranteed in production.
3. Tested in production.
4. Low-noise mode specification.

3.2 ACCELEROMETER SPECIFICATIONS

Typical Operating Circuit of section 4.2, VDD = 1.8 V, VDDIO = 1.8 V, T_A = 25°C, unless otherwise noted.

Note: All specifications apply to Standard (Duty-Cycled) Mode and Low-Noise Mode, unless noted otherwise.

| PARAMETER | CONDITIONS | MIN | TYP | MAX | UNITS | NOTES |
|--|---|------|--------|--------|--------|-------|
| ACCELEROMETER SENSITIVITY | | | | | | |
| Full-Scale Range | ACCEL_FS = 0 | | ±4 | | g | 1 |
| | ACCEL_FS = 1 | | ±8 | | g | 1 |
| | ACCEL_FS = 2 | | ±16 | | g | 1 |
| | ACCEL_FS = 3 | | ±30 | | g | 1 |
| ADC Word Length | Output in two's complement format | | 16 | | bits | 1 |
| Sensitivity Scale Factor | ACCEL_FS = 0 | | 8,192 | | LSB/g | 1 |
| | ACCEL_FS = 1 | | 4,096 | | LSB/g | 1 |
| | ACCEL_FS = 2 | | 2,048 | | LSB/g | 1 |
| | ACCEL_FS = 3 | | 1,024 | | LSB/g | 1 |
| Initial Tolerance | Component-level | | ±0.5 | | % | 3 |
| Sensitivity Change vs. Temperature | -40°C to +85°C ACCEL_FS=0 | | ±0.026 | | %/°C | 2 |
| Nonlinearity | Best Fit Straight Line | | ±0.5 | | % | 2, 4 |
| Cross-Axis Sensitivity | | | ±2 | | % | 2, 4 |
| ACCELEROMETER NOISE PERFORMANCE | | | | | | |
| Initial Tolerance | Component-level, all axes | | ±65 | | mg | 3 |
| Zero-G Level Change vs. Temperature | 0°C to +85°C | | ±0.80 | | mg/°C | 2 |
| Noise Spectral Density | Based on Noise Bandwidth = 10 Hz | | 285 | | µg/√Hz | 3 |
| LOW PASS FILTER RESPONSE | Programmable Range | 5.7 | | 246 | Hz | 1, 4 |
| INTELLIGENCE FUNCTION INCREMENT | | | 32 | | mg/LSB | 1 |
| ACCELEROMETER STARTUP TIME | From Sleep mode | | 20 | | ms | 2, 4 |
| | From Cold Start, 1ms V _{DD} ramp | | 30 | | ms | 2, 4 |
| OUTPUT DATA RATE | Low-Power Mode | 0.27 | | 562.5 | Hz | 1 |
| | Low-Noise Mode ACCEL_FCHOICE = 1; ACCEL_DLPFCFG = x | 4.5 | | 1.125k | Hz | |
| | Low-Noise Mode ACCEL_FCHOICE = 0; ACCEL_DLPFCFG = x | | | 4.5k | Hz | |

Table 2. Accelerometer Specifications

Notes:

1. Guaranteed by design.
2. Derived from validation or characterization of parts, not guaranteed in production.
3. Tested in production.
4. Low-noise mode specification.

3.3 ELECTRICAL SPECIFICATIONS

3.3.1 D.C. Electrical Characteristics

Typical Operating Circuit of section 4.2, VDD = 1.8 V, VDDIO = 1.8 V, T_A = 25°C, unless otherwise noted.

| PARAMETER | CONDITIONS | MIN | TYP | MAX | UNITS | NOTES |
|--|--|------|------|-----|-------|-------|
| SUPPLY VOLTAGES | | | | | | |
| VDD | | 1.71 | 1.8 | 3.6 | V | 1 |
| VDDIO | | 1.71 | 1.8 | 3.6 | V | 1 |
| SUPPLY CURRENTS | | | | | | |
| Gyroscope Only (DMP & Accelerometer disabled) | Low-Noise Mode | | 2.67 | | mA | 2 |
| Accelerometer Only (DMP & Gyroscope disabled) | Low-Noise Mode | | 760 | | μA | 2 |
| Gyroscope + Accelerometer (DMP disabled) | Low-Noise Mode | | 3.21 | | mA | 2 |
| Gyroscope Only (DMP & Accelerometer disabled) | Low-Power Mode, 102.3 Hz update rate, 1x averaging filter | | 1.23 | | mA | 2, 3 |
| Accelerometer Only (DMP & Gyroscope disabled) | Low-Power Mode, 102.3 Hz update rate, 1x averaging filter | | 68.9 | | μA | 2, 3 |
| Gyroscope + Accelerometer (DMP disabled) | Low-Power Mode, 102.3 Hz update rate, 1x averaging filter | | 1.27 | | mA | 2, 3 |
| Full-Chip Sleep Mode | | | 8 | | μA | 2 |
| TEMPERATURE RANGE | | | | | | |
| Specified Temperature Range | Performance parameters are not applicable beyond Specified Temperature Range | -40 | | +85 | °C | 1 |

Table 3. D.C. Electrical Characteristics

Notes:

1. Guaranteed by design.
2. Derived from validation or characterization of parts, not guaranteed in production.
3. The 102.3 Hz ODR value shown here is an example; please see the section below for the full list of ODRs supported and corresponding current values.

3.3.2 A.C. Electrical Characteristics

Typical Operating Circuit of section 4.2, VDD = 1.8 V, VDDIO = 1.8 V, T_A = 25°C, unless otherwise noted.

| PARAMETER | CONDITIONS | MIN | TYP | MAX | UNITS | NOTES |
|--|---|-----------------------|------------|---------------|----------|-------|
| SUPPLIES | | | | | | |
| Supply Ramp Time (T _{RAMP}) | Monotonic ramp. Ramp rate is 10% to 90% of the final value. | 0.01 | 20 | 100 | ms | 1 |
| TEMPERATURE SENSOR | | | | | | |
| Operating Range | Ambient | -40 | | 85 | °C | 1 |
| Sensitivity | Untrimmed | | 333.87 | | LSB/°C | |
| Room Temp Offset | 21°C | | 0 | | LSB | |
| Power-On RESET | | | | | | |
| Supply Ramp Time (T _{RAMP}) | Valid power-on RESET | 0.01 | 20 | 100 | ms | 1 |
| Start-up time for register read/write | From power-up | | 11 | 100 | ms | 1 |
| I²C ADDRESS | AD0 = 0 | | 1101000 | | | |
| | AD0 = 1 | | 1101001 | | | |
| DIGITAL INPUTS (FSYNC, ADO, SCLK, SDI, CS) | | | | | | |
| V _{IH} , High Level Input Voltage | | 0.7*VDDIO | | | V | 1 |
| V _{IL} , Low Level Input Voltage | | | | 0.3*VDDIO | V | |
| C _I , Input Capacitance | | | < 10 | | pF | |
| DIGITAL OUTPUT (SDO, INT) | | | | | | |
| V _{OH} , High Level Output Voltage | R _{LOAD} = 1 MΩ; | 0.9*VDDIO | | | V | 1 |
| V _{OL} , LOW-Level Output Voltage | R _{LOAD} = 1 MΩ; | | | 0.1*VDDIO | V | |
| V _{OLINT1} , INT Low-Level Output Voltage | OPEN = 1, 0.3 mA sink Current | | | 0.1 | V | |
| Output Leakage Current | OPEN = 1 | | 100 | | nA | |
| t _{INT} , INT Pulse Width | LATCH_INT_EN = 0 | | 50 | | μs | |
| I²C I/O (SCL, SDA) | | | | | | |
| V _{IL} , LOW Level Input Voltage | | -0.5 V | | 0.3*VDDIO | V | 1 |
| V _{IH} , HIGH-Level Input Voltage | | 0.7*VDDIO | | VDDIO + 0.5 V | V | |
| V _{hys} , Hysteresis | | | 0.1*VDDIO | | V | |
| V _{OL} , LOW-Level Output Voltage | 3 mA sink current | 0 | | 0.4 | V | |
| I _{OL} , LOW-Level Output Current | V _{OL} = 0.4 V V _{OL} = 0.6 V | | 3 6 | | mA mA | |
| Output Leakage Current | | | 100 | | nA | |
| t _{of} , Output Fall Time from V _{IHmax} to V _{ILmax} | C _b bus capacitance in pf | 20+0.1 C _b | | 250 | ns | |
| AUXILLIARY I/O (AUX_CL, AUX_DA) | | | | | | |
| V _{IL} , LOW-Level Input Voltage | | -0.5 V | | 0.3*VDDIO | V | 1 |
| V _{IH} , HIGH-Level Input Voltage | | 0.7* VDDIO | | VDDIO + 0.5 V | V | |
| V _{hys} , Hysteresis | | | 0.1* VDDIO | | V | |
| V _{OL1} , LOW-Level Output Voltage | VDDIO > 2 V; 1 mA sink current | 0 | | 0.4 | V | |
| V _{OL3} , LOW-Level Output Voltage | VDDIO < 2 V; 1 mA sink current | 0 | | 0.2* VDDIO | V | |
| I _{OL} , LOW-Level Output Current | V _{OL} = 0.4 V V _{OL} = 0.6 V | | 3 6 | | mA mA | |
| Output Leakage Current | | | 100 | | nA | |
| t _{of} , Output Fall Time from V _{IHmax} to V _{ILmax} | C _b bus capacitance in pF | 20+0.1C _b | | 250 | ns | |
| INTERNAL CLOCK SOURCE | | | | | | |
| Clock Frequency Initial Tolerance | Accelerometer Only Mode | -5 | | +5 | % | 1 |
| | Gyroscope or 6-Axis Mode WITHOUT Timebase Correction | -9 | | +9 | % | 1 |
| | Gyroscope or 6-Axis Mode WITH Timebase Correction | -1 | | +1 | | |

| PARAMETER | CONDITIONS | MIN | TYP | MAX | UNITS | NOTES |
|--------------------------------------|--------------------------|-----|-----|-----|-------|-------|
| Frequency Variation over Temperature | Accelerometer Only Mode | -10 | | +10 | % | 1 |
| | Gyroscope or 6-Axis Mode | | ±1 | | % | 1 |

Table 4. A.C. Electrical Characteristics

Notes:

1. Derived from validation or characterization of parts, not guaranteed in production.

3.3.3 Other Electrical Specifications

Typical Operating Circuit of section 4.2, VDD = 1.8 V, VDDIO = 1.8 V, T_A = 25°C, unless otherwise noted.

| PARAMETER | CONDITIONS | MIN | TYP | MAX | Units | Notes |
|---|------------------------------|-----|-------------|-----|-------|-------|
| SERIAL INTERFACE | | | | | | |
| SPI Operating Frequency, All Registers Read/Write | Low Speed Characterization | | 100 ±10% | | kHz | |
| | High Speed Characterization | | 7 ±10% | | MHz | |
| I ² C Operating Frequency | All registers, Fast-mode | | | 400 | kHz | |
| | All registers, Standard-mode | | | 100 | kHz | |

Table 5. Other Electrical Specifications

3.4 I²C TIMING CHARACTERIZATION

Typical Operating Circuit of section 4.2, VDD = 1.8 V, VDDIO = 1.8 V, T_A = 25°C, unless otherwise noted.

| PARAMETERS | CONDITIONS | MIN | TYPICAL | MAX | UNITS | NOTES |
|---|---|----------------------|---------|-----|-------|-------|
| I²C TIMING | | | | | | |
| I²C FAST-MODE | | | | | | |
| f _{SCL} , SCL Clock Frequency | | | | 400 | kHz | 1, 2 |
| t _{HD,STA} , (Repeated) START Condition Hold Time | | 0.6 | | | μs | 1, 2 |
| t _{LOW} , SCL Low Period | | 1.3 | | | μs | 1, 2 |
| t _{HIGH} , SCL High Period | | 0.6 | | | μs | 1, 2 |
| t _{SU,STA} , Repeated START Condition Setup Time | | 0.6 | | | μs | 1, 2 |
| t _{HD,DAT} , SDA Data Hold Time | | 0 | | | μs | 1, 2 |
| t _{SU,DAT} , SDA Data Setup Time | | 100 | | | ns | 1, 2 |
| t _r , SDA and SCL Rise Time | C _b bus cap. from 10 to 400 pF | 20+0.1C _b | | 300 | ns | 1, 2 |
| t _f , SDA and SCL Fall Time | C _b bus cap. from 10 to 400 pF | 20+0.1C _b | | 300 | ns | 1, 2 |
| t _{SU,STO} , STOP Condition Setup Time | | 0.6 | | | μs | 1, 2 |
| t _{BUF} , Bus Free Time Between STOP and START Condition | | 1.3 | | | μs | 1, 2 |
| C _b , Capacitive Load for each Bus Line | | | < 400 | | pF | 1, 2 |
| t _{VD,DAT} , Data Valid Time | | | | 0.9 | μs | 1, 2 |
| t _{VD,ACK} , Data Valid Acknowledge Time | | | | 0.9 | μs | 1, 2 |

Table 6. I²C Timing Characteristics

Notes:

1. Timing Characteristics apply to both Primary and Auxiliary I²C Bus.
2. Based on characterization of 5 parts over temperature and voltage as mounted on evaluation board or in sockets.

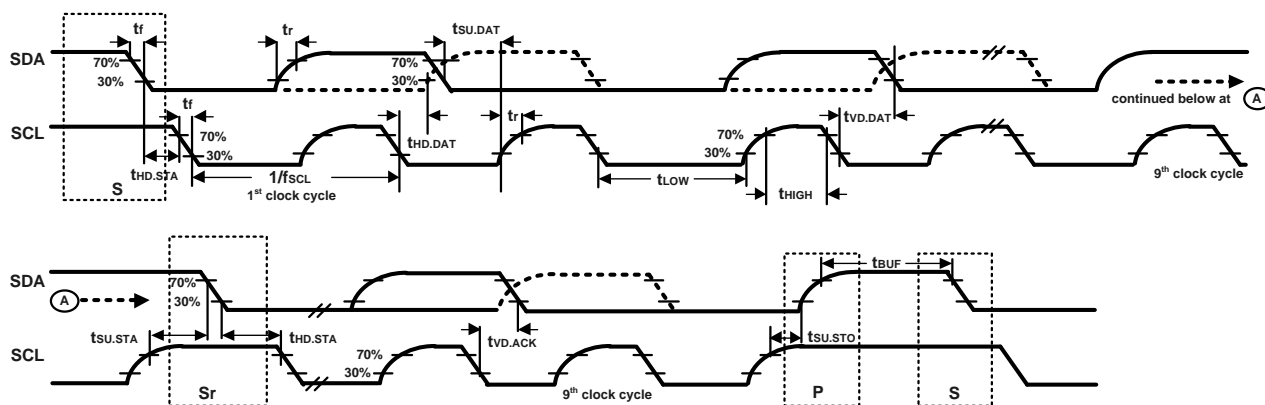


Figure 1. I²C Bus Timing Diagram

3.5 SPI TIMING CHARACTERIZATION

Typical Operating Circuit of section 4.2, VDD = 1.8 V, VDDIO = 1.8 V, T_A = 25°C, unless otherwise noted.

| Parameters | Conditions | Min | Typical | Max | Units | Notes |
|--|---------------------------|-----|---------|-----|-------|-------|
| SPI TIMING | | | | | | |
| f _{SCLK} , SCLK Clock Frequency | | | | 7 | MHz | |
| t _{LOW} , SCLK Low Period | | 64 | | | ns | |
| t _{HIGH} , SCLK High Period | | 64 | | | ns | |
| t _{SU,CS} , CS Setup Time | | 8 | | | ns | |
| t _{HD,CS} , CS Hold Time | | 500 | | | ns | |
| t _{SU,SDI} , SDI Setup Time | | 5 | | | ns | |
| t _{HD,SDI} , SDI Hold Time | | 7 | | | ns | |
| t _{VD,SDO} , SDO Valid Time | C _{load} = 20 pF | | | 59 | ns | |
| t _{HD,SDO} , SDO Hold Time | C _{load} = 20 pF | 6 | | | ns | |
| t _{DIS,SDO} , SDO Output Disable Time | | | | 50 | ns | |

Table 7. SPI Timing Characteristics (7 MHz)

Note:

- Based on characterization of 5 parts over temperature and voltage as mounted on evaluation board or in sockets.

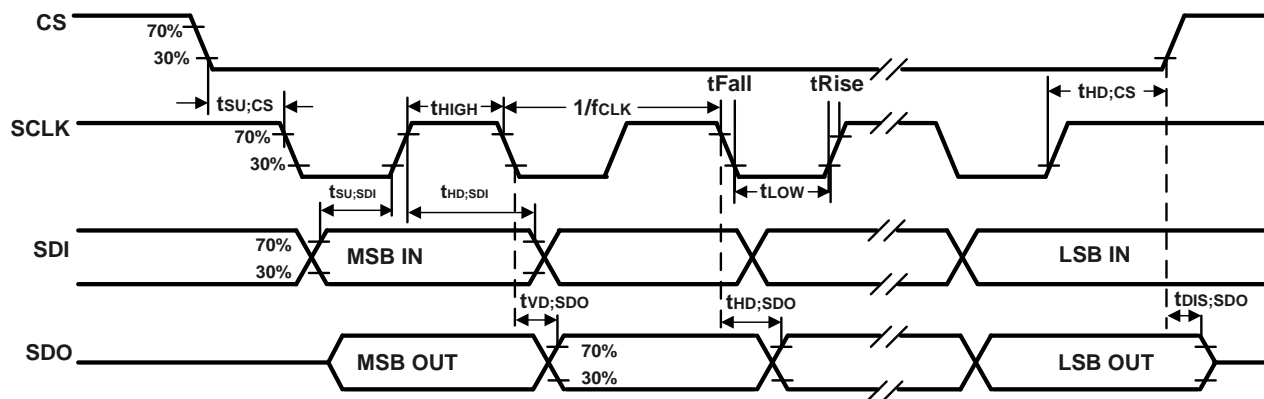


Figure 2. SPI Bus Timing Diagram

3.6 ABSOLUTE MAXIMUM RATINGS

Stress above those listed as “Absolute Maximum Ratings” may cause permanent damage to the device. These are stress ratings only and functional operation of the device at these conditions is not implied. Exposure to the absolute maximum ratings conditions for extended periods may affect device reliability.

| Parameter | Rating |
|---|--------------------------------------|
| Supply Voltage, VDD | -0.5V to 4V |
| Supply Voltage, VDDIO | -0.5V to 4V |
| REGOUT | -0.5V to 2V |
| Input Voltage Level (AUX_DA, ADO, FSYNC, INT, SCL, SDA) | -0.5V to VDD + 0.5V |
| Acceleration (Any Axis, unpowered) | 10,000g for 0.2 ms |
| Operating Temperature Range | -40°C to +105°C |
| Storage Temperature Range | -40°C to +125°C |
| Electrostatic Discharge (ESD) Protection | 2 kV (HBM); 200V (MM) |
| Latch-up | JEDEC Class II (2), 125°C ±100 mA |

Table 8. Absolute Maximum Ratings

4 APPLICATIONS INFORMATION

4.1 PIN OUT DIAGRAM AND SIGNAL DESCRIPTION

| PIN NUMBER | PIN NAME | PIN DESCRIPTION |
|----------------|------------|---|
| 7 | AUX_CL | I ² C Master serial clock, for connecting to external sensors. |
| 8 | VDDIO | Digital I/O supply voltage. |
| 9 | AD0 / SDO | I ² C Slave Address LSB (AD0); SPI serial data output (SDO). |
| 10 | REGOUT | Regulator filter capacitor connection. |
| 11 | FSYNC | Frame synchronization digital input. Connect to GND if unused. |
| 12 | INT1 | Interrupt 1. |
| 13 | VDD | Power supply voltage. |
| 18 | GND | Power supply ground. |
| 19 | INT2 | Interrupt 2. |
| 20 | RESV | Reserved. Connect to GND. |
| 21 | AUX_DA | I ² C master serial data, for connecting to external sensors. |
| 22 | nCS | Chip select (SPI mode only). |
| 23 | SCL / SCLK | I ² C serial clock (SCL); SPI serial clock (SCLK). |
| 24 | SDA / SDI | I ² C serial data (SDA); SPI serial data input (SDI). |
| 1 – 6, 14 - 17 | NC | No Connect pins. Do not connect. |

Table 9. Signal Descriptions

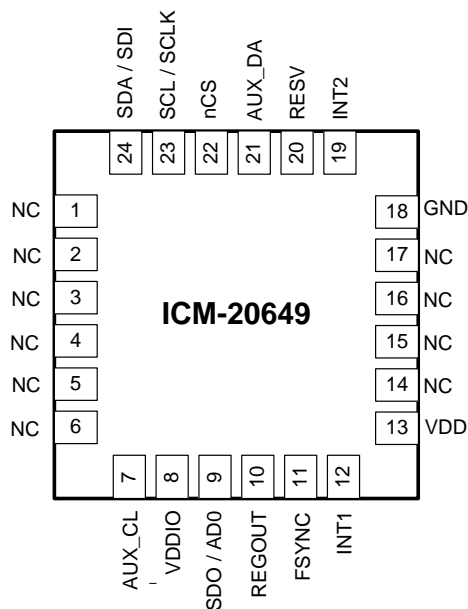


Figure 3. Pin out Diagram for ICM-20649 3.0x3.0x0.9 mm QFN

4.2 TYPICAL OPERATING CIRCUIT

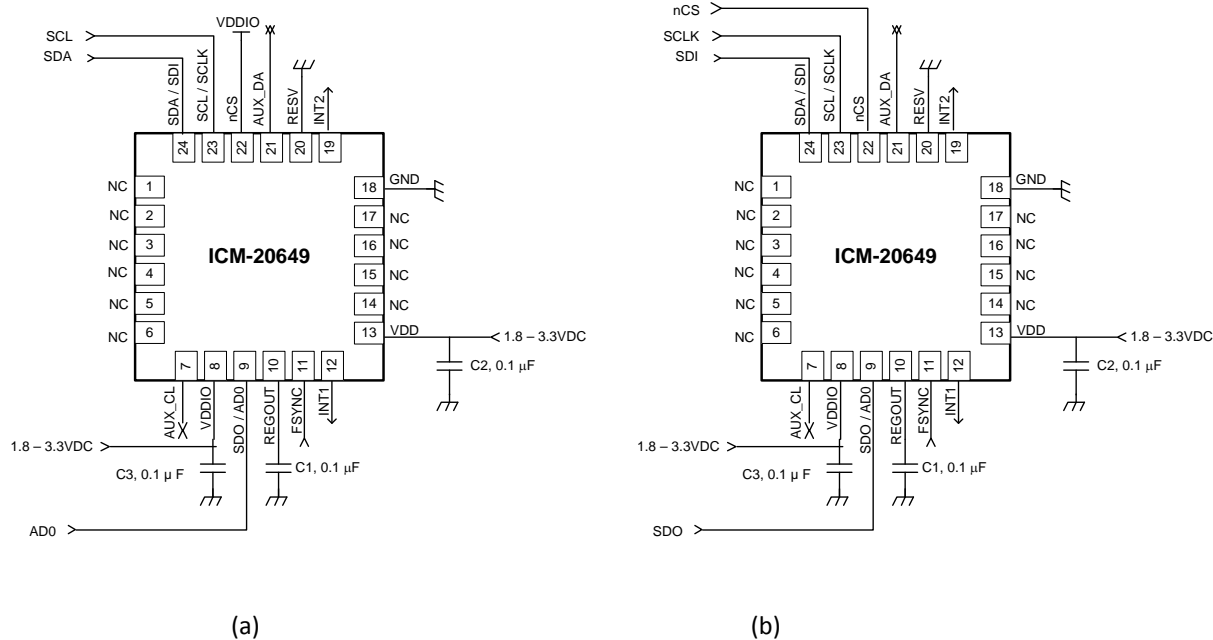


Figure 4. ICM-20649 Application Schematic (a) I²C operation (b) SPI operation

4.3 BILL OF MATERIALS FOR EXTERNAL COMPONENTS

| Component | Label | Specification | Quantity |
|----------------------------|-------|---------------------------|----------|
| Regulator Filter Capacitor | C1 | Ceramic, X7R, 0.1 μF ±10% | 1 |
| VDD Bypass Capacitor | C2 | Ceramic, X7R, 0.1 μF ±10% | 1 |
| VDDIO Bypass Capacitor | C3 | Ceramic, X7R, 0.1 μF ±10% | 1 |

Table 10. Bill of Materials

4.4 BLOCK DIAGRAM

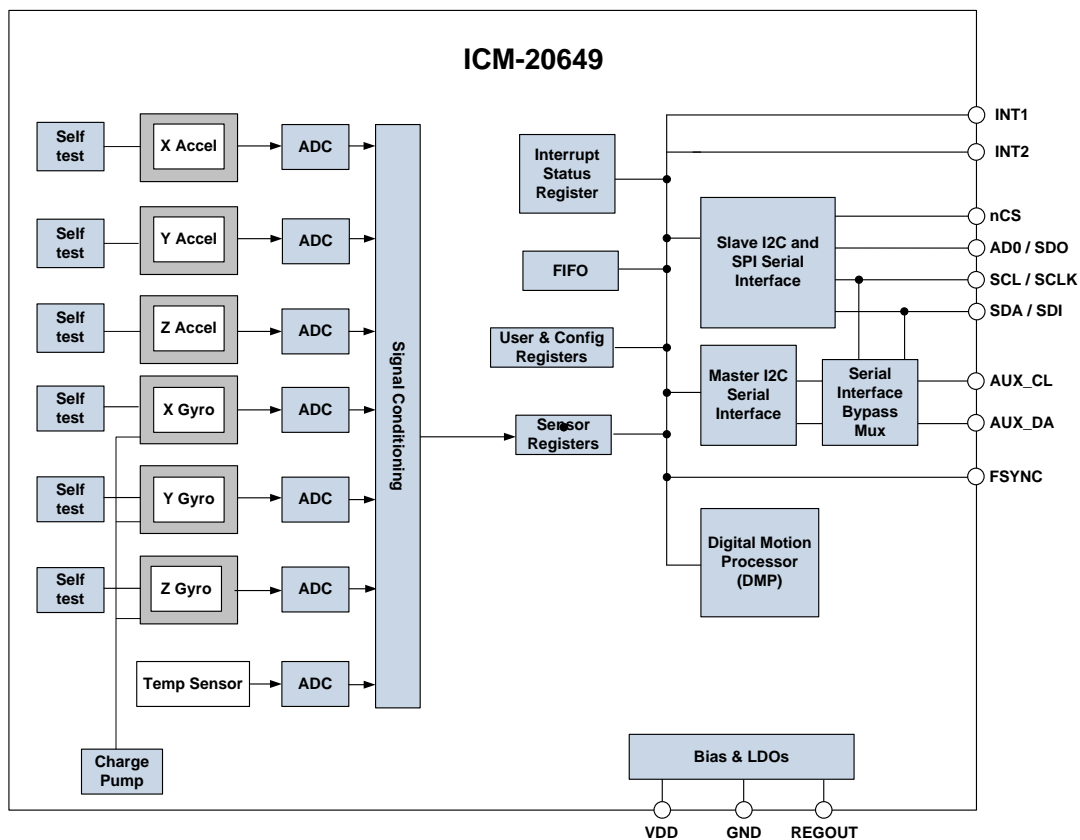


Figure 5. ICM-20649 Block Diagram

4.5 OVERVIEW

The ICM-20649 is comprised of the following key blocks and functions:

- Three-axis MEMS rate gyroscope sensor with 16-bit ADCs and signal conditioning
- Three-axis MEMS accelerometer sensor with 16-bit ADCs and signal conditioning
- Digital Motion Processor (DMP) engine
- Primary I²C and SPI serial communications interfaces
- Auxiliary I²C serial interface
- Self-Test
- Clocking
- Sensor Data Registers
- FIFO
- FSynch
- Interrupts
- Digital-Output Temperature Sensor
- Bias and LDOs
- Charge Pump
- Power Modes

4.6 THREE-AXIS MEMS GYROSCOPE WITH 16-BIT ADCS AND SIGNAL CONDITIONING

The ICM-20649 consists of three independent vibratory MEMS rate gyroscopes, which detect rotation about the X-, Y-, and Z- Axes. When the gyros are rotated about any of the sense axes, the Coriolis Effect causes a vibration that is detected by a capacitive pickoff. The resulting signal is amplified, demodulated, and filtered to produce a voltage that is proportional to the angular rate. This voltage is digitized using individual on-chip 16-bit Analog-to-Digital Converters (ADCs) to sample each axis. The full-scale range of the gyro sensors may be digitally programmed to ± 500 , ± 1000 , ± 2000 , or ± 4000 degrees per second (dps).

4.7 THREE-AXIS MEMS ACCELEROMETER WITH 16-BIT ADCS AND SIGNAL CONDITIONING

The ICM-20649's 3-Axis accelerometer uses separate proof masses for each axis. Acceleration along a particular axis induces displacement on the corresponding proof mass, and capacitive sensors detect the displacement differentially. The ICM-20649's architecture reduces the accelerometers' susceptibility to fabrication variations as well as to thermal drift. When the device is placed on a flat surface, it will measure $0g$ on the X- and Y-axes and $+1g$ on the Z-axis. The accelerometers' scale factor is calibrated at the factory and is nominally independent of supply voltage. Each sensor has a dedicated sigma-delta ADC for providing digital outputs. The full scale range of the digital output can be adjusted to $\pm 4g$, $\pm 8g$, $\pm 16g$, or $\pm 30g$.

4.8 DIGITAL MOTION PROCESSOR

The embedded Digital Motion Processor (DMP) within the ICM-20649 offloads computation of motion processing algorithms from the host processor. The DMP acquires data from accelerometers, gyroscopes, and additional third party sensors such as magnetometers, and processes the data. The resulting data can be read from the FIFO. The DMP has access to the external pins, which can be used for generating interrupts.

The purpose of the DMP is to offload both timing requirements and processing power from the host processor. Typically, motion processing algorithms should be run at a high rate, often around 200 Hz, in order to provide accurate results with low latency. This is required even if the application updates at a much lower rate; for example, a low power user interface may update as slowly as 5 Hz, but the motion processing should still run at 200 Hz. The DMP can be used to minimize power, simplify timing, simplify the software architecture, and save valuable MIPS on the host processor for use in applications.

The DMP is optimized for Android Lollipop support.

4.9 PRIMARY I²C AND SPI SERIAL COMMUNICATIONS INTERFACES

The ICM-20649 communicates to a system processor using either a SPI or an I²C serial interface. The ICM-20649 always acts as a slave when communicating to the system processor. The LSB of the of the I²C slave address is set by pin 1 (AD0).

4.9.1 ICM-20649 Solution Using I²C Interface

In Figure 6, the system processor is an I²C master to the ICM-20649. In addition, the ICM-20649 is an I²C master to the optional external compass sensor. The ICM-20649 has limited capabilities as an I²C Master, and depends on the system processor to manage the initial configuration of any auxiliary sensors. The ICM-20649 has an interface bypass multiplexer, which connects the system processor I²C bus pins 23 and 24 (SCL and SDA) directly to the auxiliary sensor I²C bus pins 7 and 21 (AUX_CL and AUX_DA).

Once the auxiliary sensors have been configured by the system processor, the interface bypass multiplexer should be disabled so that the ICM-20649 auxiliary I²C master can take control of the sensor I²C bus and gather data from the auxiliary sensors.

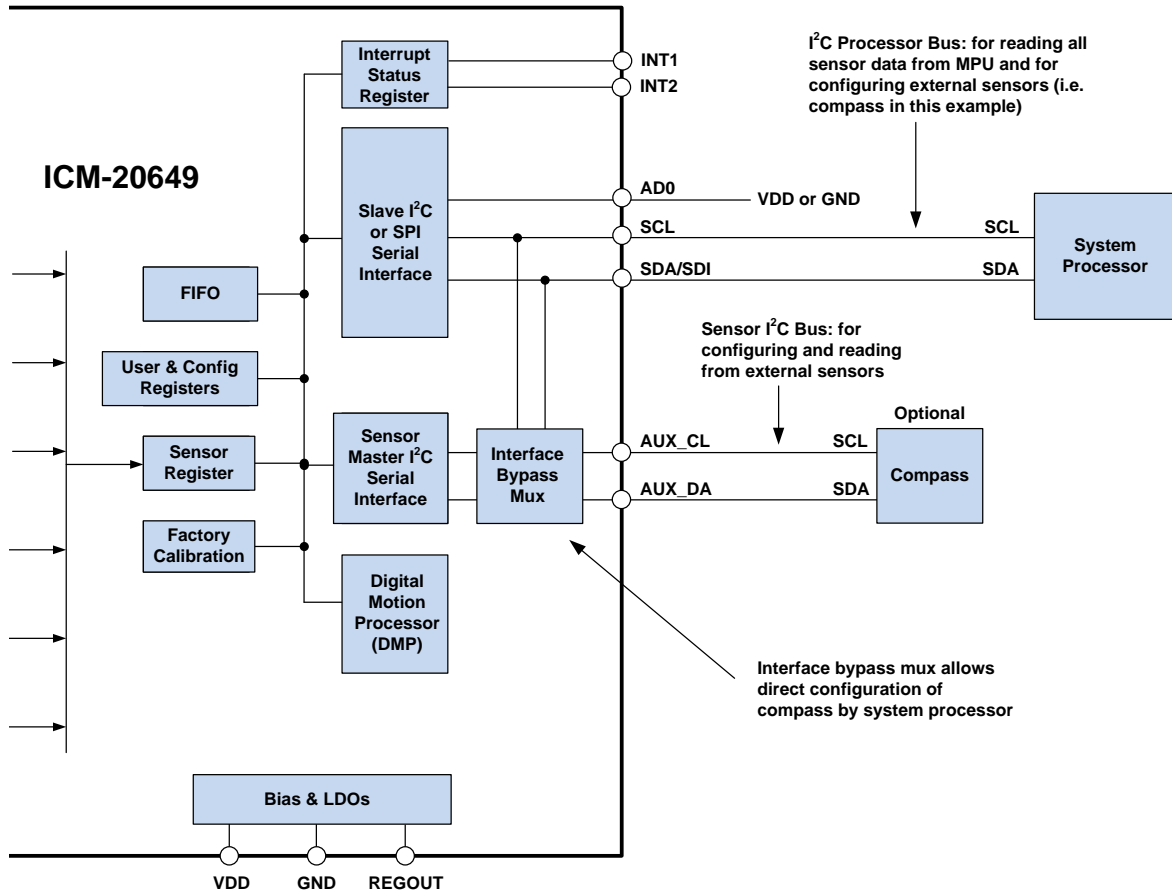


Figure 6. ICM-20649 Solution Using I²C Interface

4.9.2 ICM-20649 Solution Using SPI Interface

In Figure 7, the system processor is an SPI master to the ICM-20649. Pins 9, 22, 23, and 24 are used to support the SDO, nCS, SCLK, and SDI signals for SPI communications. Because these SPI pins are shared with the I²C slave pins (9, 23 and 24), the system processor cannot access the auxiliary I²C bus through the interface bypass multiplexer, which connects the processor I²C interface pins to the sensor I²C interface pins. Since the ICM-20649 has limited capabilities as an I²C Master, and depends on the system processor to manage the initial configuration of any auxiliary sensors, another method must be used for programming the sensors on the auxiliary sensor I²C bus pins 7 and 21 (AUX_CL and AUX_DA).

When using SPI communications between the ICM-20649 and the system processor, configuration of devices on the auxiliary I²C sensor bus can be achieved by using I²C Slaves 0-4 to perform read and write transactions on any device and register on the auxiliary I²C bus. The I²C Slave 4 interface can be used to perform only single byte read and write transactions. Once the external sensors have been configured, the ICM-20649 can perform single or multi-byte reads using the sensor I²C bus. The read results from the Slave 0-3 controllers can be written to the FIFO buffer as well as to the external sensor registers.

For more information regarding the control of the ICM-20649's auxiliary I²C interface, please refer to the ICM-20649 Register Map and Register Descriptions sections.

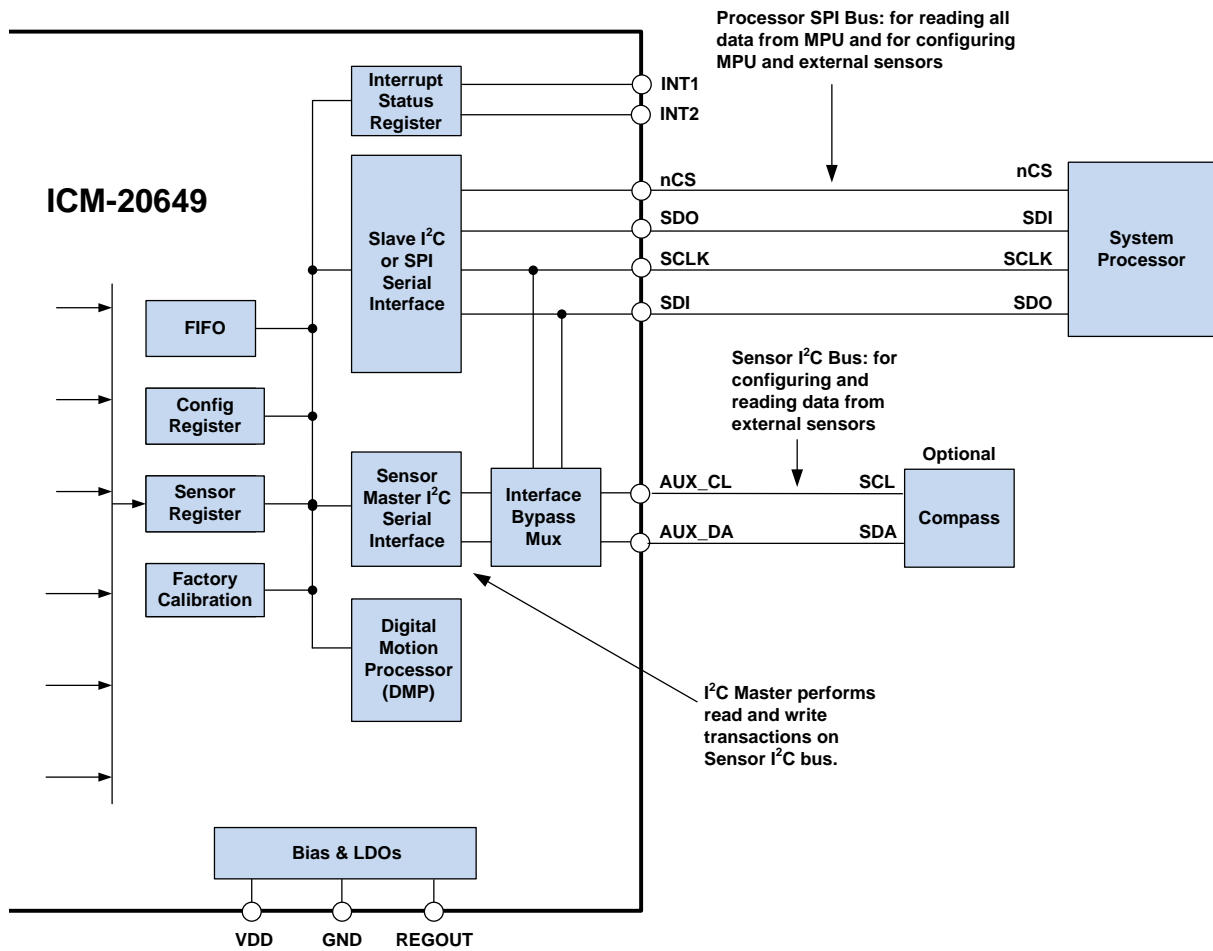


Figure 7. ICM-20649 Solution Using SPI Interface

4.10 AUXILIARY I²C SERIAL INTERFACE

The ICM-20649 has an auxiliary I²C bus for communicating to an off-chip 3-Axis digital output magnetometer or other sensors. This bus has two operating modes:

- **I²C Master Mode:** The ICM-20649 acts as a master to any external sensors connected to the auxiliary I²C bus
- **Pass-Through Mode:** The ICM-20649 directly connects the primary and auxiliary I²C buses together, allowing the system processor to directly communicate with any external sensors.

4.11 AUXILIARY I²C BUS MODES OF OPERATION:

I²C Master Mode: Allows the ICM-20649 to directly access the data registers of external digital sensors, such as a magnetometer. In this mode, the ICM-20649 directly obtains data from auxiliary sensors without intervention from the system applications processor.

For example, in I²C Master mode, the ICM-20649 can be configured to perform burst reads, returning the following data from a magnetometer:

- X magnetometer data (2 bytes)
- Y magnetometer data (2 bytes)
- Z magnetometer data (2 bytes)

The I²C Master can be configured to read up to 24 bytes from up to 4 auxiliary sensors. A fifth sensor can be configured to work single byte read/write mode.

Pass-Through Mode: Allows an external system processor to act as master and directly communicate to the external sensors connected to the auxiliary I²C bus pins (AUX_DA and AUX_CL). In this mode, the auxiliary I²C bus control logic (3rd party sensor interface block) of the ICM-20649 is disabled, and the auxiliary I²C pins AUX_CL and AUX_DA (pins 7 and 21) are connected to the main I²C bus (Pins 23 and 24) through analog switches internally. Pass-Through mode is useful for configuring the external sensors.

4.12 SELF-TEST

Self-test allows for the testing of the mechanical and electrical portions of the sensors. The self-test for each measurement axis can be activated by means of the gyroscope and accelerometer self-test registers.

When the self-test is activated, the electronics cause the sensors to be actuated and produce an output signal. The output signal is used to observe the self-test response.

The self-test response is defined as follows:

$$\text{SELF-TEST RESPONSE} = \text{SENSOR OUTPUT WITH SELF-TEST ENABLED} - \text{SENSOR OUTPUT WITHOUT SELF-TEST ENABLED}$$

The self-test response for each gyroscope axis is defined in the gyroscope specification table, while that for each accelerometer axis is defined in the accelerometer specification table.

When the value of the self-test response is within the specified min/max limits, the part has passed self-test. When the self-test response exceeds the min/max values, the part is deemed to have failed self-test. It is recommended to use InvenSense MotionApps software for executing self-test.

4.13 CLOCKING

The internal system clock sources include: (1) an internal relaxation oscillator, and (2) a PLL with MEMS gyroscope oscillator as the reference clock. With the recommended clock selection setting (CLKSEL = 1), the best clock source for optimum sensor performance and power consumption will be automatically selected based on the power mode. Specifically, the internal relaxation oscillator will be selected when operating in accelerometer only mode, while the PLL will be selected whenever gyroscope is on, which includes gyroscope and 6-axis modes.

As clock accuracy is critical to the preciseness of distance and angle calculations performed by DMP, it should be noted that the internal relaxation oscillator and PLL show different performances in some aspects. The internal relaxation oscillator is trimmed to have a consistent operating frequency at room temperature, while the PLL clock frequency varies from part to part. The PLL frequency deviation from the nominal value in percentage is captured in register `TIMEBASE_CORRECTION_PLL` (detailed in section 12.5), and users can factor it in during distance and angle calculations to not sacrifice accuracy. Other than that, PLL has better frequency stability and lower frequency variation over temperature than the internal relaxation oscillator.

4.14 SENSOR DATA REGISTERS

The sensor data registers contain the latest gyro, accelerometer, auxiliary sensor, and temperature measurement data. They are read-only registers, and are accessed via the serial interface. Data from these registers may be read anytime.

4.15 FIFO

The ICM-20649 contains a FIFO of size 512 bytes (FIFO size will vary depending on DMP feature-set) that is accessible via the Serial Interface. The FIFO configuration register determines which data is written into the FIFO. Possible choices include gyro data, accelerometer data, temperature readings, auxiliary sensor readings, and `FSYNC` input.

A FIFO counter keeps track of how many bytes of valid data are contained in the FIFO. The FIFO register supports burst reads. The interrupt function may be used to determine when new data is available.

For further information regarding the FIFO, please refer to the ICM-20649 Register Map and Register Descriptions sections.

4.16 FSYNC

The `FSYNC` pin can be used from an external interrupt source to wake up the device from sleep. It is particularly useful in EIS applications to synchronize the gyroscope ODR with external inputs from an imaging sensor. Connecting the `VSYNC` or `HSYNC` pin of the image sensor subsystem to `FSYNC` on ICM-20649 allows timing synchronization between the two otherwise unconnected subsystems.

An `FSYNC_ODR` delay time register is used to capture the delay between an `FSYNC` pulse and the very next gyroscope data ready pulse.

4.17 INTERRUPTS

Interrupt functionality is configured via the Interrupt Configuration register. Items that are configurable include the INT pins configuration, the interrupt latching and clearing method, and triggers for the interrupt. Section 5 provides a summary of interrupt sources. The ICM-20649 includes two interrupt pins, INT1 and INT2. Certain DMP-based interrupts are mapped to INT2 while all other interrupts are mapped to INT1. The interrupt status can be read from the Interrupt Status register.

For further information regarding interrupts, please refer to the ICM-20649 Register Map and Register Descriptions sections.

4.18 DIGITAL-OUTPUT TEMPERATURE SENSOR

An on-chip temperature sensor and ADC are used to measure the ICM-20649 die temperature. The readings from the ADC can be read from the FIFO or the Sensor Data registers.

4.19 BIAS AND LDOS

The bias and LDO section generates the internal supply and the reference voltages and currents required by the ICM-20649. Its two inputs are an unregulated VDD and a VDDIO logic reference supply voltage. The LDO output is bypassed by a capacitor at REGOUT. For further details on the capacitor, please refer to the Bill of Materials for External Components.

4.20 CHARGE PUMP

An on-chip charge pump generates the high voltage required for the MEMS oscillators.

4.21 POWER MODES

The following table lists the user-accessible power modes for ICM-20649.

| MODE | NAME | GYRO | ACCEL | DMP |
|------|--------------------|--------------------------|--------------------------|--------------------|
| 1 | Sleep Mode | Off | Off | Off |
| 2 | Accelerometer Mode | Off | Low-Noise or Duty-Cycled | Duty-Cycled or Off |
| 3 | Gyroscope Mode | Low-Noise or Duty-Cycled | Off | Duty-Cycled or Off |
| 4 | 6-Axis Mode | Low-Noise or Duty-Cycled | Low-Noise or Duty-Cycled | Duty-Cycled or Off |
| 5 | DMP only mode | Off | Off | Duty-Cycled |

Table 11. Power Modes for ICM-20649

Note: The standard mode of gyroscope and accelerometer operation is duty-cycled.

5 PROGRAMMABLE INTERRUPTS

The ICM-20649 has a programmable interrupt system which can generate an interrupt signal on the INT pins. Status flags indicate the source of an interrupt. Interrupt sources may be enabled and disabled individually. The following table lists the interrupt sources and which interrupt may propagate to which pin.

| INTERRUPT SOURCE | INTERRUPT PIN |
|--------------------------|---------------|
| DMP Interrupt | INT1/INT2 |
| Wake on Motion Interrupt | INT1 |
| PLL RDY Interrupt | INT1 |
| I2C Master Interrupt | INT1 |
| Raw Data Ready Interrupt | INT1 |
| FIFO Overflow Interrupt | INT1 |
| FIFO Watermark Interrupt | INT1 |

Table 12. Table of Interrupt Sources

For information regarding interrupt registers, please refer to the ICM-20649 Register Map and Register Descriptions sections.

6 DIGITAL INTERFACE

6.1 I²C AND SPI SERIAL INTERFACES

The internal registers and memory of the ICM-20649 can be accessed using either I²C at 400 kHz or SPI at 7 MHz. SPI operates in four-wire mode.

| Pin Number | Pin Name | Pin Description |
|------------|------------|--|
| 9 | AD0 / SDO | I ² C Slave Address LSB (AD0); SPI serial data output (SDO) |
| 22 | nCS | Chip select (SPI mode only) |
| 23 | SCL / SCLK | I ² C serial clock (SCL); SPI serial clock (SCLK) |
| 24 | SDA / SDI | I ² C serial data (SDA); SPI serial data input (SDI) |

Table 13. Serial Interface

Note: To prevent switching into I²C mode when using SPI, the I²C interface should be disabled by setting the *I2C_IF_DIS* configuration bit. Setting this bit should be performed immediately after waiting for the time specified by the “Start-Up Time for Register Read/Write” in section 3.3.1.

For further information regarding the *I2C_IF_DIS* bit, please refer to the ICM-20649 Register Map and Register Descriptions sections.

6.2 I²C INTERFACE

I²C is a two-wire interface comprised of the signals serial data (SDA) and serial clock (SCL). In general, the lines are open-drain and bi-directional. In a generalized I²C interface implementation, attached devices can be a master or a slave. The master device puts the slave address on the bus, and the slave device with the matching address acknowledges the master.

The ICM-20649 always operates as a slave device when communicating to the system processor, which thus acts as the master. SDA and SCL lines typically need pull-up resistors to VDD. The maximum bus speed is 400 kHz.

The slave address of the ICM-20649 is b110100X which is 7 bits long. The LSB bit of the 7-bit address is determined by the logic level on pin AD0. This allows two ICM-20649s to be connected to the same I²C bus. When used in this configuration, the address of the one of the devices should be b1101000 (pin AD0 is logic low) and the address of the other should be b1101001 (pin AD0 is logic high).

6.3 I²C COMMUNICATIONS PROTOCOL

START (S) and STOP (P) Conditions

Communication on the I²C bus starts when the master puts the START condition (S) on the bus, which is defined as a HIGH-to-LOW transition of the SDA line while SCL line is HIGH (see figure below). The bus is considered to be busy until the master puts a STOP condition (P) on the bus, which is defined as a LOW to HIGH transition on the SDA line while SCL is HIGH (see Figure 8).

Additionally, the bus remains busy if a repeated START (Sr) is generated instead of a STOP condition.

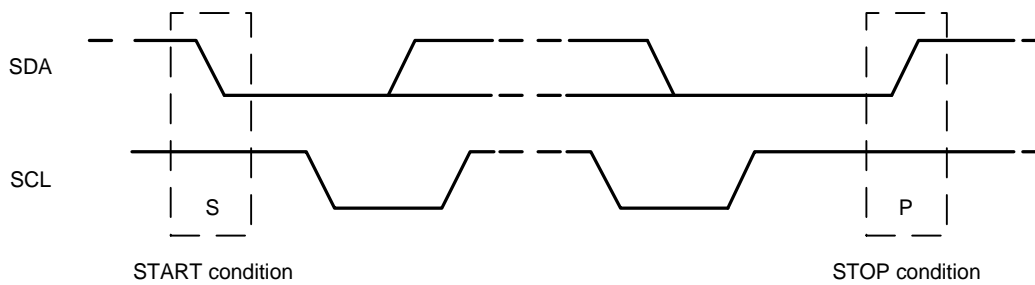


Figure 8. START and STOP Conditions

Data Format / Acknowledge

I²C data bytes are defined to be 8-bits long. There is no restriction to the number of bytes transmitted per data transfer. Each byte transferred must be followed by an acknowledge (ACK) signal. The clock for the acknowledge signal is generated by the master, while the receiver generates the actual acknowledge signal by pulling down SDA and holding it low during the HIGH portion of the acknowledge clock pulse.

If a slave is busy and cannot transmit or receive another byte of data until some other task has been performed, it can hold SCL LOW, thus forcing the master into a wait state. Normal data transfer resumes when the slave is ready, and releases the clock line (refer to Figure 9).

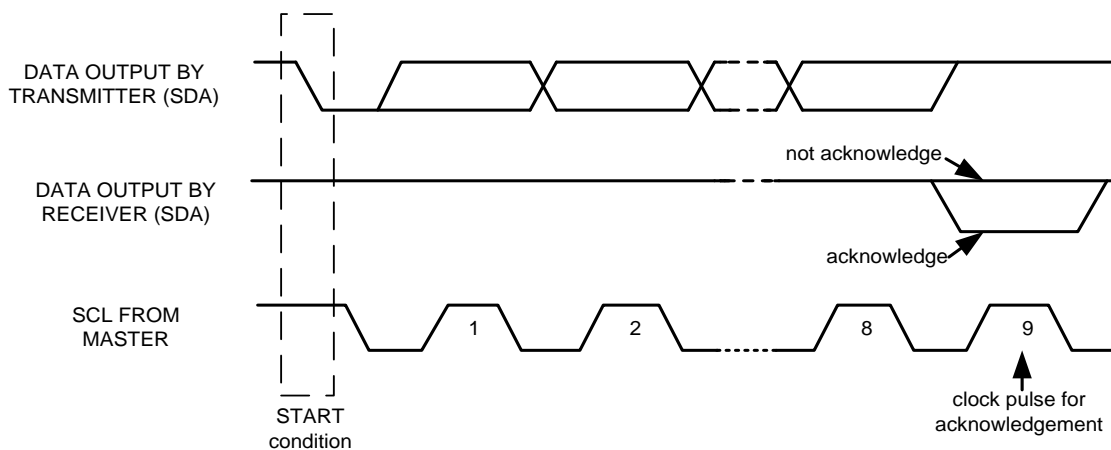


Figure 9. Acknowledge on the I²C Bus

Communications

After beginning communications with the START condition (S), the master sends a 7-bit slave address followed by an 8th bit, the read/write bit. The read/write bit indicates whether the master is receiving data from or is writing to the slave device. Then, the master releases the SDA line and waits for the acknowledge signal (ACK) from the slave device. Each byte transferred must be followed by an acknowledge bit. To acknowledge, the slave device pulls the SDA line LOW and keeps it LOW for the high period of the SCL line. Data transmission is always terminated by the master with a STOP condition (P), thus freeing the communications line. However, the master can generate a repeated START condition (Sr), and address another slave without first generating a STOP condition (P). A LOW to HIGH transition on the SDA line while SCL is HIGH defines the stop condition. All SDA changes should take place when SCL is low, with the exception of start and stop conditions.

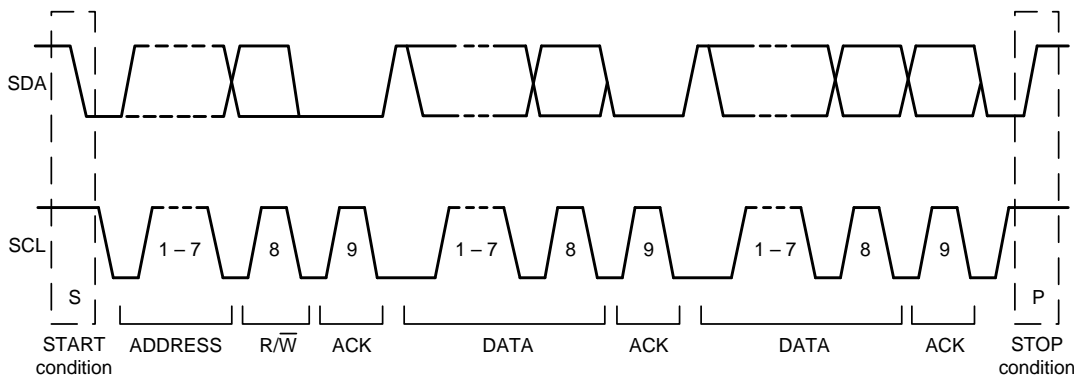


Figure 10. Complete I²C Data Transfer

To write the internal ICM-20649 registers, the master transmits the start condition (S), followed by the I²C address and the write bit (0). At the 9th clock cycle (when the clock is high), the ICM-20649 acknowledges the transfer. Then the master puts the register address (RA) on the bus. After the ICM-20649 acknowledges the reception of the register address, the master puts the register data onto the bus. This is followed by the ACK signal, and data transfer may be concluded by the stop condition (P). To write multiple bytes after the last ACK signal, the master can continue outputting data rather than transmitting a stop signal. In this case, the ICM-20649 automatically increments the register address and loads the data to the appropriate register. The following figures show single and two-byte write sequences.

Single-Byte Write Sequence

| | | | | | | | | |
|--------|---|------|-----|----|-----|------|-----|---|
| Master | S | AD+W | | RA | | DATA | | P |
| Slave | | | ACK | | ACK | | ACK | |

Burst Write Sequence

| | | | | | | | | | | |
|--------|---|------|-----|----|-----|------|-----|------|-----|---|
| Master | S | AD+W | | RA | | DATA | | DATA | | P |
| Slave | | | ACK | | ACK | | ACK | | ACK | |

To read the internal ICM-20649 registers, the master sends a start condition, followed by the I²C address and a write bit, and then the register address that is going to be read. Upon receiving the ACK signal from the ICM-20649, the master transmits a start signal followed by the slave address and read bit. As a result, the ICM-20649 sends an ACK signal and the data. The communication ends with a not acknowledge (NACK) signal and a stop bit from master. The NACK condition is defined such that the SDA line remains high at the 9th clock cycle. The following figures show single and two-byte read sequences.

Single-Byte Read Sequence

| | | | | | | | | | | | |
|--------|---|------|-----|----|-----|---|------|-----|------|------|---|
| Master | S | AD+W | | RA | | S | AD+R | | | NACK | P |
| Slave | | | ACK | | ACK | | | ACK | DATA | | |

Burst Read Sequence

| | | | | | | | | | | | | | |
|--------|---|------|-----|----|-----|---|------|-----|------|-----|------|------|---|
| Master | S | AD+W | | RA | | S | AD+R | | | ACK | | NACK | P |
| Slave | | | ACK | | ACK | | | ACK | DATA | | DATA | | |

6.4 I²C TERMS

| SIGNAL | DESCRIPTION |
|--------|--|
| S | Start Condition: SDA goes from high to low while SCL is high |
| AD | Slave I ² C address |
| W | Write bit (0) |
| R | Read bit (1) |
| ACK | Acknowledge: SDA line is low while the SCL line is high at the 9 th clock cycle |
| NACK | Not-Acknowledge: SDA line stays high at the 9 th clock cycle |
| RA | ICM-20649 internal register address |
| DATA | Transmit or received data |
| P | Stop condition: SDA going from low to high while SCL is high |

Table 14. I²C Terms

6.5 SPI INTERFACE

SPI is a 4-wire synchronous serial interface that uses two control lines and two data lines. The ICM-20649 always operates as a Slave device during standard Master-Slave SPI operation.

With respect to the Master, the Serial Clock output (SCLK), the Serial Data Output (SDO) and the Serial Data Input (SDI) are shared among the Slave devices. Each SPI slave device requires its own Chip Select (CS) line from the master.

CS goes low (active) at the start of transmission and goes back high (inactive) at the end. Only one CS line is active at a time, ensuring that only one slave is selected at any given time. The CS lines of the non-selected slave devices are held high, causing their SDO lines to remain in a high-impedance (high-z) state so that they do not interfere with any active devices.

SPI Operational Features

1. Data is delivered MSB first and LSB last
2. Data is latched on the rising edge of SCLK
3. Data should be transitioned on the falling edge of SCLK
4. The maximum frequency of SCLK is 7 MHz
5. SPI read and write operations are completed in 16 or more clock cycles (two or more bytes). The first byte contains the SPI Address, and the following byte(s) contain(s) the SPI data. The first bit of the first byte contains the Read/Write bit and indicates the Read (1) or Write (0) operation. The following 7 bits contain the Register Address. In cases of multiple-byte Read/Writes, data is two or more bytes:

SPI Address format

| | | | | | | | |
|------------|----|----|----|----|----|----|------------|
| MSB | | | | | | | LSB |
| R/W | A6 | A5 | A4 | A3 | A2 | A1 | A0 |

SPI Data format

| | | | | | | | |
|------------|----|----|----|----|----|----|------------|
| MSB | | | | | | | LSB |
| D7 | D6 | D5 | D4 | D3 | D2 | D1 | D0 |

6. Supports Single or Burst Read/Writes.

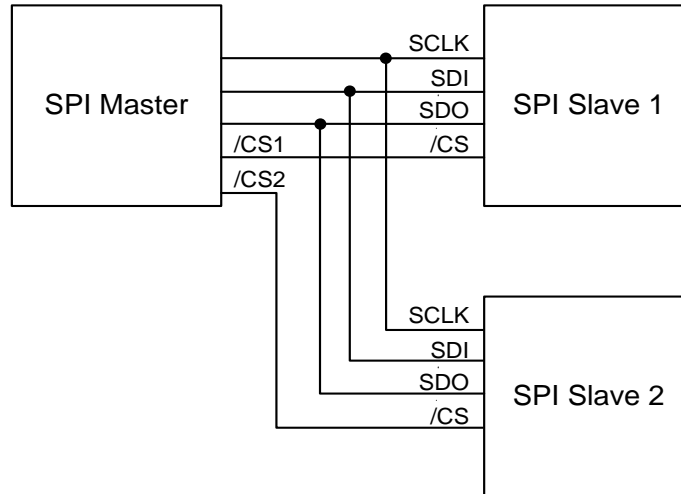


Figure 11. Typical SPI Master / Slave Configuration

7 REGISTER MAP

The following table lists the register map for the ICM-20649, for user banks 0, 1, 2, 3.

7.1 USER BANK 0 REGISTER MAP:

| Addr (Hex) | Addr (Dec.) | Register Name | Serial I/F | Bit7 | Bit6 | Bit5 | Bit4 | Bit3 | Bit2 | Bit1 | Bit0 | |
|------------|-------------|----------------------|------------|---------------------------|---------------|-------------------|------------------------|---------------|-------------------|---------------|-------------------|--------------------|
| 00 | 0 | WHO_AM_I | R | WHO_AM_I[7:0] | | | | | | | | |
| 03 | 3 | USER_CTRL | R/W | DMP_EN | FIFO_EN | I2C_MST_EN | I2C_IF_DIS | DMP_RST | SRAM_RST | I2C_MST_RST | - | |
| 05 | 5 | LP_CONFIG | R/W | | I2C_MST_CYCLE | ACCEL_CYCLE | GYRO_CYCLE | - | | | | |
| 06 | 6 | PWR_MGMT_1 | R/W | DEVICE_RESET | SLEEP | LP_EN | - | TEMP_DIS | CLKSEL[2:0] | | | |
| 07 | 7 | PWR_MGMT_2 | R/W | - | | DISABLE_ACCEL | | | DISABLE_GYRO | | | |
| 0F | 15 | INT_PIN_CFG | R/W | INT1_ACTL | INT1_OPEN | INT1_LATCH_INT_EN | INT_ANYRD_2CLEAR | ACTL_FSYNC | FSYNC_INT_MODE_EN | BYPASS_EN | - | |
| 10 | 16 | INT_ENABLE | R/W | REG_WOF_EN | - | | DMP_INT2_EN | WOM_INT_EN | PLL_RDY_EN | DMP_INT1_EN | I2C_MST_INT_EN | |
| 11 | 17 | INT_ENABLE_1 | R/W | INT2_ACTL | INT2_OPEN | INT2_LATCH_EN | - | | | | RAW_DATA_0_RDY_EN | |
| 12 | 18 | INT_ENABLE_2 | R/W | - | | | FIFO_OVERFLOW_EN[4:0] | | | | | |
| 13 | 19 | INT_ENABLE_3 | R/W | - | | | FIFO_WM_EN[4:0] | | | | | |
| 17 | 23 | I2C_MST_STATUS | R/C | PASS_THROUGH | I2C_SLV4_DONE | I2C_LOST_ARB | I2C_SLV4_NACK | I2C_SLV3_NACK | I2C_SLV2_NACK | I2C_SLV1_NACK | I2C_SLV0_NACK | |
| 19 | 25 | INT_STATUS | R/C | - | | | | WOM_INT | PLL_RDY_INT | DMP_INT1 | I2C_MST_INT | |
| 1A | 26 | INT_STATUS_1 | R/C | - | | | | | | | | RAW_DATA_0_RDY_INT |
| 1B | 27 | INT_STATUS_2 | R/C | - | | | FIFO_OVERFLOW_INT[4:0] | | | | | |
| 1C | 28 | INT_STATUS_3 | R/C | - | | | FIFO_WM_INT[4:0] | | | | | |
| 28 | 40 | DELAY_TIMEH | R | DELAY_TIMEH[7:0] | | | | | | | | |
| 29 | 41 | DELAY_TIMEL | R | DELAY_TIMEL[7:0] | | | | | | | | |
| 2D | 45 | ACCEL_XOUT_H | R | ACCEL_XOUT_H[7:0] | | | | | | | | |
| 2E | 46 | ACCEL_XOUT_L | R | ACCEL_XOUT_L[7:0] | | | | | | | | |
| 2F | 47 | ACCEL_YOUT_H | R | ACCEL_YOUT_H[7:0] | | | | | | | | |
| 30 | 48 | ACCEL_YOUT_L | R | ACCEL_YOUT_L[7:0] | | | | | | | | |
| 31 | 49 | ACCEL_ZOUT_H | R | ACCEL_ZOUT_H[7:0] | | | | | | | | |
| 32 | 50 | ACCEL_ZOUT_L | R | ACCEL_ZOUT_L[7:0] | | | | | | | | |
| 33 | 51 | GYRO_XOUT_H | R | GYRO_XOUT_H[7:0] | | | | | | | | |
| 34 | 52 | GYRO_XOUT_L | R | GYRO_XOUT_L[7:0] | | | | | | | | |
| 35 | 53 | GYRO_YOUT_H | R | GYRO_YOUT_H[7:0] | | | | | | | | |
| 36 | 54 | GYRO_YOUT_L | R | GYRO_YOUT_L[7:0] | | | | | | | | |
| 37 | 55 | GYRO_ZOUT_H | R | GYRO_ZOUT_H[7:0] | | | | | | | | |
| 38 | 56 | GYRO_ZOUT_L | R | GYRO_ZOUT_L[7:0] | | | | | | | | |
| 39 | 57 | TEMP_OUT_H | R | TEMP_OUT_H[7:0] | | | | | | | | |
| 3A | 58 | TEMP_OUT_L | R | TEMP_OUT_L[7:0] | | | | | | | | |
| 3B | 59 | EXT_SLV_SENS_DATA_00 | R | EXT_SLV_SENS_DATA_00[7:0] | | | | | | | | |
| 3C | 60 | EXT_SLV_SENS_DATA_01 | R | EXT_SLV_SENS_DATA_01[7:0] | | | | | | | | |
| 3D | 61 | EXT_SLV_SENS_DATA_02 | R | EXT_SLV_SENS_DATA_02[7:0] | | | | | | | | |
| 3E | 62 | EXT_SLV_SENS_DATA_03 | R | EXT_SLV_SENS_DATA_03[7:0] | | | | | | | | |
| 3F | 63 | EXT_SLV_SENS_DATA_04 | R | EXT_SLV_SENS_DATA_04[7:0] | | | | | | | | |
| 40 | 64 | EXT_SLV_SENS_DATA_05 | R | EXT_SLV_SENS_DATA_05[7:0] | | | | | | | | |
| 41 | 65 | EXT_SLV_SENS_DATA_06 | R | EXT_SLV_SENS_DATA_06[7:0] | | | | | | | | |
| 42 | 66 | EXT_SLV_SENS_DATA_07 | R | EXT_SLV_SENS_DATA_07[7:0] | | | | | | | | |
| 43 | 67 | EXT_SLV_SENS_DATA_08 | R | EXT_SLV_SENS_DATA_08[7:0] | | | | | | | | |
| 44 | 68 | EXT_SLV_SENS_DATA_09 | R | EXT_SLV_SENS_DATA_09[7:0] | | | | | | | | |
| 45 | 69 | EXT_SLV_SENS_DATA_10 | R | EXT_SLV_SENS_DATA_10[7:0] | | | | | | | | |
| 46 | 70 | EXT_SLV_SENS_DATA_11 | R | EXT_SLV_SENS_DATA_11[7:0] | | | | | | | | |
| 47 | 71 | EXT_SLV_SENS_DATA_12 | R | EXT_SLV_SENS_DATA_12[7:0] | | | | | | | | |
| 48 | 72 | EXT_SLV_SENS_DATA_13 | R | EXT_SLV_SENS_DATA_13[7:0] | | | | | | | | |

| Addr (Hex) | Addr (Dec.) | Register Name | Serial I/F | Bit7 | Bit6 | Bit5 | Bit4 | Bit3 | Bit2 | Bit1 | Bit0 | | |
|------------|-------------|----------------------|------------|---------------------------|------|------|------|-----------------|-------------------|----------------|----------------|--------------|--|
| 49 | 73 | EXT_SLV_SENS_DATA_14 | R | EXT_SLV_SENS_DATA_14[7:0] | | | | | | | | | |
| 4A | 74 | EXT_SLV_SENS_DATA_15 | R | EXT_SLV_SENS_DATA_15[7:0] | | | | | | | | | |
| 4B | 75 | EXT_SLV_SENS_DATA_16 | R | EXT_SLV_SENS_DATA_16[7:0] | | | | | | | | | |
| 4C | 76 | EXT_SLV_SENS_DATA_17 | R | EXT_SLV_SENS_DATA_17[7:0] | | | | | | | | | |
| 4D | 77 | EXT_SLV_SENS_DATA_18 | R | EXT_SLV_SENS_DATA_18[7:0] | | | | | | | | | |
| 4E | 78 | EXT_SLV_SENS_DATA_19 | R | EXT_SLV_SENS_DATA_19[7:0] | | | | | | | | | |
| 4F | 79 | EXT_SLV_SENS_DATA_20 | R | EXT_SLV_SENS_DATA_20[7:0] | | | | | | | | | |
| 50 | 80 | EXT_SLV_SENS_DATA_21 | R | EXT_SLV_SENS_DATA_21[7:0] | | | | | | | | | |
| 51 | 81 | EXT_SLV_SENS_DATA_22 | R | EXT_SLV_SENS_DATA_22[7:0] | | | | | | | | | |
| 52 | 82 | EXT_SLV_SENS_DATA_23 | R | EXT_SLV_SENS_DATA_23[7:0] | | | | | | | | | |
| 66 | 102 | FIFO_EN_1 | R/W | - | | | | SLV_3_FIFO_EN | SLV_2_FIFO_EN | SLV_1_FIFO_EN | SLV_0_FIFO_EN | | |
| 67 | 103 | FIFO_EN_2 | R/W | - | | | | ACCEL_FIFO_EN | GYRO_Z_FIFO_EN | GYRO_Y_FIFO_EN | GYRO_X_FIFO_EN | TEMP_FIFO_EN | |
| 68 | 104 | FIFO_RST | R/W | - | | | | FIFO_RESET[4:0] | | | | | |
| 69 | 105 | FIFO_MODE | R/W | - | | | | FIFO_MODE[4:0] | | | | | |
| 70 | 112 | FIFO_COUNTH | R | - | | | | FIFO_CNT[12:8] | | | | | |
| 71 | 113 | FIFO_COUNTL | R | FIFO_CNT[7:0] | | | | | | | | | |
| 72 | 114 | FIFO_R_W | R/W | FIFO_R_W[7:0] | | | | | | | | | |
| 74 | 116 | DATA_RDY_STATUS | R/C | WOF_STATUS | - | | | | RAW_DATA_RDY[3:0] | | | | |
| 76 | 118 | FIFO_CFG | R/W | - | | | | | | | | FIFO_CFG | |
| 7F | 127 | REG_BANK_SEL | R/W | - | | | | USER_BANK[1:0] | | - | | | |

7.2 USER BANK 1 REGISTER MAP:

| Addr (Hex) | Addr (Dec.) | Register Name | Serial I/F | Bit7 | Bit6 | Bit5 | Bit4 | Bit3 | Bit2 | Bit1 | Bit0 | | |
|------------|-------------|--------------------------|------------|-----------------|------|------|------|----------------|------|------|------|--|--|
| 02 | 2 | SELF_TEST_X_GYRO | R/W | XG_ST_DATA[7:0] | | | | | | | | | |
| 03 | 3 | SELF_TEST_Y_GYRO | R/W | YG_ST_DATA[7:0] | | | | | | | | | |
| 04 | 4 | SELF_TEST_Z_GYRO | R/W | ZG_ST_DATA[7:0] | | | | | | | | | |
| 0E | 14 | SELF_TEST_X_ACCEL | R/W | XA_ST_DATA[7:0] | | | | | | | | | |
| 0F | 15 | SELF_TEST_Y_ACCEL | R/W | YA_ST_DATA[7:0] | | | | | | | | | |
| 10 | 16 | SELF_TEST_Z_ACCEL | R/W | ZA_ST_DATA[7:0] | | | | | | | | | |
| 14 | 20 | XA_OFFS_H | R/W | XA_OFFS[14:7] | | | | | | | | | |
| 15 | 21 | XA_OFFS_L | R/W | XA_OFFS[6:0] | | | | | | | | | |
| 17 | 23 | YA_OFFS_H | R/W | YA_OFFS[14:7] | | | | | | | | | |
| 18 | 24 | YA_OFFS_L | R/W | YA_OFFS[6:0] | | | | | | | | | |
| 1A | 26 | ZA_OFFS_H | R/W | ZA_OFFS[14:7] | | | | | | | | | |
| 1B | 27 | ZA_OFFS_L | R/W | ZA_OFFS[6:0] | | | | | | | | | |
| 28 | 40 | TIMEBASE_CORRECTION_PL L | R/W | TBC_PLL[7:0] | | | | | | | | | |
| 7F | 127 | REG_BANK_SEL | R/W | - | | | | USER_BANK[1:0] | | - | | | |

7.3 USER BANK 2 REGISTER MAP:

| Addr (Hex) | Addr (Dec.) | Register Name | Serial I/F | Bit7 | Bit6 | Bit5 | Bit4 | Bit3 | Bit2 | Bit1 | Bit0 | |
|------------|-------------|------------------|------------|-----------------------|------|------|------|--------------------|------------|------------------|-------------------|--------------|
| 00 | 0 | GYRO_SMP_LRT_DIV | R/W | GYRO_SMP_LRT_DIV[7:0] | | | | | | | | |
| 01 | 1 | GYRO_CONFIG_1 | R/W | - | | | | GYRO_DL_PFCFG[2:0] | | GYRO_FS_SEL[1:0] | | GYRO_FCHOICE |
| 02 | 2 | GYRO_CONFIG_2 | R/W | - | | | | XGYRO_CTEN | YGYRO_CTEN | ZGYRO_CTEN | GYRO_AVG_CFG[2:0] | |
| 03 | 3 | XG_OFFS_USRH | R/W | X_OFFS_USER[15:8] | | | | | | | | |
| 04 | 4 | XG_OFFS_USRL | R/W | X_OFFS_USER[7:0] | | | | | | | | |
| 05 | 5 | YG_OFFS_USRH | R/W | Y_OFFS_USER[15:8] | | | | | | | | |
| 06 | 6 | YG_OFFS_USRL | R/W | Y_OFFS_USER[7:0] | | | | | | | | |
| 07 | 7 | ZG_OFFS_USRH | R/W | Z_OFFS_USER[15:8] | | | | | | | | |
| 08 | 8 | ZG_OFFS_USRL | R/W | Z_OFFS_USER[7:0] | | | | | | | | |

| Addr (Hex) | Addr (Dec.) | Register Name | Serial I/F | Bit7 | Bit6 | Bit5 | Bit4 | Bit3 | Bit2 | Bit1 | Bit0 | | |
|------------|-------------|---------------------|------------|------------------------|--------------------|-----------------|----------------|-------------------------|-------------------|---------------|-------------------|----------------------|---------------|
| 09 | 9 | ODR_ALIGN_EN | R/W | - | | | | | | | ODR_ALIGN_EN | | |
| 10 | 16 | ACCEL_SMP_LRT_DIV_1 | R/W | - | | | | ACCEL_SMP_LRT_DIV[11:8] | | | | | |
| 11 | 17 | ACCEL_SMP_LRT_DIV_2 | R/W | ACCEL_SMP_LRT_DIV[7:0] | | | | | | | | | |
| 12 | 18 | ACCEL_INTEL_CTRL | R/W | - | | | | | | | ACCEL_INTEL_EN | ACCEL_INTEL_MODE_INT | |
| 13 | 19 | ACCEL_WOM_THR | R/W | WOM_THRESHOLD[7:0] | | | | | | | | | |
| 14 | 20 | ACCEL_CONFIG | R/W | - | ACCEL_DLPFCFG[2:0] | | | | ACCEL_FS_SEL[1:0] | | ACCEL_FCHOICE | | |
| 15 | 21 | ACCEL_CONFIG_2 | R/W | - | | | AX_ST_EN_REG | AY_ST_EN_REG | AZ_ST_EN_REG | DEC3_CFG[1:0] | | | |
| 52 | 82 | FSYNC_CONFIG | R/W | DELAY_TIME_EN | - | WOF_DEGLITCH_EN | WOF_EDGE_INT | EXT_SYNC_SET[3:0] | | | | | |
| 53 | 83 | TEMP_CONFIG | R/W | - | | | | | | | TEMP_DLPFCFG[2:0] | | |
| 54 | 84 | MOD_CTRL_USR | R/W | - | | | | | | | | | REG_LP_DMP_EN |
| 7F | 127 | REG_BANK_SEL | R/W | - | | | USER_BANK[1:0] | | - | | | | |

7.4 USER BANK 3 REGISTER MAP:

| Addr (Hex) | Addr (Dec.) | Register Name | Serial I/F | Bit7 | Bit6 | Bit5 | Bit4 | Bit3 | Bit2 | Bit1 | Bit0 | |
|------------|-------------|--------------------|------------|-------------------|------------------|------------------|-------------------|-------------------|-------------------|-------------------|-------------------------|--|
| 00 | 0 | I2C_MST_ODR_CONFIG | R/W | - | | | | | | | I2C_MST_ODR_CONFIG[3:0] | |
| 01 | 1 | I2C_MST_CTRL | R/W | MULT_MST_EN | - | | I2C_MST_P_NSR | I2C_MST_CLK[3:0] | | | | |
| 02 | 2 | I2C_MST_DELAY_CTRL | R/W | DELAY_ES_SHADOW | - | | I2C_SLV4_DELAY_EN | I2C_SLV3_DELAY_EN | I2C_SLV2_DELAY_EN | I2C_SLV1_DELAY_EN | I2C_SLV0_DELAY_EN | |
| 03 | 3 | I2C_SLV0_ADDR | R/W | I2C_SLV0_RNW | I2C_ID_0[6:0] | | | | | | | |
| 04 | 4 | I2C_SLV0_REG | R/W | I2C_SLV0_REG[7:0] | | | | | | | | |
| 05 | 5 | I2C_SLV0_CTRL | R/W | I2C_SLV0_EN | I2C_SLV0_BYTE_SW | I2C_SLV0_REG_DIS | I2C_SLV0_GRP | I2C_SLV0_LEN[3:0] | | | | |
| 06 | 6 | I2C_SLV0_DO | R/W | I2C_SLV0_DO[7:0] | | | | | | | | |
| 07 | 7 | I2C_SLV1_ADDR | R/W | I2C_SLV1_RNW | I2C_ID_1[6:0] | | | | | | | |
| 08 | 8 | I2C_SLV1_REG | R/W | I2C_SLV1_REG[7:0] | | | | | | | | |
| 09 | 9 | I2C_SLV1_CTRL | R/W | I2C_SLV1_EN | I2C_SLV1_BYTE_SW | I2C_SLV1_REG_DIS | I2C_SLV1_GRP | I2C_SLV1_LEN[3:0] | | | | |
| 0A | 10 | I2C_SLV1_DO | R/W | I2C_SLV1_DO[7:0] | | | | | | | | |
| 0B | 11 | I2C_SLV2_ADDR | R/W | I2C_SLV2_RNW | I2C_ID_2[6:0] | | | | | | | |
| 0C | 12 | I2C_SLV2_REG | R/W | I2C_SLV2_REG[7:0] | | | | | | | | |
| 0D | 13 | I2C_SLV2_CTRL | R/W | I2C_SLV2_EN | I2C_SLV2_BYTE_SW | I2C_SLV2_REG_DIS | I2C_SLV2_GRP | I2C_SLV2_LEN[3:0] | | | | |
| 0E | 14 | I2C_SLV2_DO | R/W | I2C_SLV2_DO[7:0] | | | | | | | | |
| 0F | 15 | I2C_SLV3_ADDR | R/W | I2C_SLV3_RNW | I2C_ID_3[6:0] | | | | | | | |
| 10 | 16 | I2C_SLV3_REG | R/W | I2C_SLV3_REG[7:0] | | | | | | | | |
| 11 | 17 | I2C_SLV3_CTRL | R/W | I2C_SLV3_EN | I2C_SLV3_BYTE_SW | I2C_SLV3_REG_DIS | I2C_SLV3_GRP | I2C_SLV3_LEN[3:0] | | | | |
| 12 | 18 | I2C_SLV3_DO | R/W | I2C_SLV3_DO[7:0] | | | | | | | | |
| 13 | 19 | I2C_SLV4_ADDR | R/W | I2C_SLV4_RNW | I2C_ID_4[6:0] | | | | | | | |
| 14 | 20 | I2C_SLV4_REG | R/W | I2C_SLV4_REG[7:0] | | | | | | | | |
| 15 | 21 | I2C_SLV4_CTRL | R/W | I2C_SLV4_EN | I2C_SLV4_BYTE_SW | I2C_SLV4_REG_DIS | I2C_SLV4_DLY[4:0] | | | | | |
| 16 | 22 | I2C_SLV4_DO | R/W | I2C_SLV4_DO[7:0] | | | | | | | | |
| 17 | 23 | I2C_SLV4_DI | R | I2C_SLV4_DI[7:0] | | | | | | | | |
| 7F | 127 | REG_BANK_SEL | R/W | - | | | USER_BANK[1:0] | | - | | | |

8 REGISTER DESCRIPTIONS

This section describes the function and contents of each register within the ICM-20649.

Note: The device will come up in sleep mode upon power-up.

8.1 USR BANK 0 REGISTER MAP

8.1.1 WHO_AM_I

Name: WHO_AM_I

Address: 0 (00h)

Type: USR0

Bank: 0

Serial IF: R

Reset Value: 0xE1

| BIT | NAME | FUNCTION |
|-----|---------------|---|
| 7:0 | WHO_AM_I[7:0] | Register to indicate to user which device is being accessed. The value for ICM-20649 is 0xE1 |

8.1.2 USER_CTRL

Name: USER_CTRL

Address: 3 (03h)

Type: USR0

Bank: 0

Serial IF: R/W

Reset Value: 0x00

| BIT | NAME | FUNCTION |
|-----|-------------|---|
| 7 | DMP_EN | 1 – Enables DMP features. 0 – DMP features are disabled after the current processing round has completed. |
| 6 | FIFO_EN | 1 – Enable FIFO operation mode. 0 – Disable FIFO access from serial interface. To disable FIFO writes by DMA, use FIFO_EN register. To disable possible FIFO writes from DMP, disable the DMP. |
| 5 | I2C_MST_EN | 1 – Enable the I ² C Master I/F module; pins ES_DA and ES_SCL are isolated from pins SDA/SDI and SCL/ SCLK. 0 – Disable I ² C Master I/F module; pins ES_DA and ES_SCL are logically driven by pins SDA/SDI and SCL/ SCLK. |
| 4 | I2C_IF_DIS | 1 – Reset I ² C Slave module and put the serial interface in SPI mode only. |
| 3 | DMP_RST | 1 – Reset DMP module. Reset is asynchronous. This bit auto clears after one clock cycle of the internal 20 MHz clock. |
| 2 | SRAM_RST | 1 – Reset SRAM module. Reset is asynchronous. This bit auto clears after one clock cycle of the internal 20 MHz clock. |
| 1 | I2C_MST_RST | 1 – Reset I ² C Master module. Reset is asynchronous. This bit auto clears after one clock cycle of the internal 20 MHz clock. Note: This bit should only be set when the I ² C master has hung. If this bit is set during an active I ² C master transaction, the I ² C slave will hang, which will require the host to reset the slave. |
| 0 | - | Reserved. |

8.1.3 LP_CONFIG

Name: LP_CONFIG

Address: 5 (05h)

Type: USR0

Bank: 0

Serial IF: R/W

Reset Value: 0x40

| BIT | NAME | FUNCTION |
|-----|---------------|---|
| 7 | - | Reserved. |
| 6 | I2C_MST_CYCLE | 1 - Operate I ² C master in duty cycled mode. ODR is determined by I2C_MST_ODR_CONFIG register. 0 - Disable I ² C master duty cycled mode. |
| 5 | ACCEL_CYCLE | 1 - Operate ACCEL in duty cycled mode. ODR is determined by ACCEL_SMPLRT_DIV register. 0 - Disable ACCEL duty cycled mode. |
| 4 | GYRO_CYCLE | 1 - Operate GYRO in duty cycled mode. ODR is determined by GYRO_SMPLRT_DIV register. 0 - Disable GYRO duty cycled mode. |
| 3:0 | - | Reserved. |

8.1.4 PWR_MGMT_1

Name: PWR_MGMT_1

Address: 6 (06h)

Type: USR0

Bank: 0

Serial IF: R/W

Reset Value: 0x41

| BIT | NAME | FUNCTION | | | | | | | | | | |
|-------------|---|--|-------------|---------------------|---|----------------------------|-----|---|---|----------------------------|---|---|
| 7 | DEVICE_RESET | 1 - Reset the internal registers and restores the default settings. Write a 1 to set the reset; the bit will auto clear. | | | | | | | | | | |
| 6 | SLEEP | When set, the chip is set to sleep mode (in sleep mode all analog is powered off). Clearing the bit wakes the chip from sleep mode. | | | | | | | | | | |
| 5 | LP_EN | The LP_EN only affects the digital circuitry, it helps to reduce the digital current when sensors are in LP mode. Please note that the sensors themselves are set in LP mode by the LP_CONFIG register settings. Sensors in LP mode, and use of LP_EN bit together help to reduce overall current. The bit settings are: 1: Turn on low power feature. 0: Turn off low power feature. LP_EN has no effect when the sensors are in low-noise mode. | | | | | | | | | | |
| 4 | - | Reserved. | | | | | | | | | | |
| 3 | TEMP_DIS | When set to 1, this bit disables the temperature sensor. | | | | | | | | | | |
| 2:0 | CLKSEL[2:0] | <table border="0"> <tr> <td>Code</td> <td>Clock Source</td> </tr> <tr> <td>0</td> <td>Internal 20 MHz oscillator</td> </tr> <tr> <td>1-5</td> <td>Auto selects the best available clock source - PLL if ready, else use the Internal oscillator</td> </tr> <tr> <td>6</td> <td>Internal 20 MHz oscillator</td> </tr> <tr> <td>7</td> <td>Stops the clock and keeps timing generator in reset</td> </tr> </table> <p>Note: CLKSEL[2:0] should be set to 1~5 to achieve full gyroscope performance.</p> | Code | Clock Source | 0 | Internal 20 MHz oscillator | 1-5 | Auto selects the best available clock source - PLL if ready, else use the Internal oscillator | 6 | Internal 20 MHz oscillator | 7 | Stops the clock and keeps timing generator in reset |
| Code | Clock Source | | | | | | | | | | | |
| 0 | Internal 20 MHz oscillator | | | | | | | | | | | |
| 1-5 | Auto selects the best available clock source - PLL if ready, else use the Internal oscillator | | | | | | | | | | | |
| 6 | Internal 20 MHz oscillator | | | | | | | | | | | |
| 7 | Stops the clock and keeps timing generator in reset | | | | | | | | | | | |

8.1.5 PWR_MGMT_2

Name: PWR_MGMT_2

Address: 7 (07h)

Type: USR0

Bank: 0

Serial IF: R/W

Reset Value: 0x00

| BIT | NAME | FUNCTION |
|-----|---------------|---|
| 7:6 | - | Reserved. |
| 5:3 | DISABLE_ACCEL | Only the following values are applicable: 111 – Accelerometer (all axes) disabled. 000 – Accelerometer (all axes) on. |
| 2:0 | DISABLE_GYRO | Only the following values are applicable: 111 – Gyroscope (all axes) disabled. 000 – Gyroscope (all axes) on. |

8.1.6 INT_PIN_CFG

Name: INT_PIN_CFG

Address: 15 (0Fh)

Type: USR0

Bank: 0

Serial IF: R/W

Reset Value: 0x00

| BIT | NAME | FUNCTION |
|-----|-------------------|---|
| 7 | INT1_ACTL | 1 – The logic level for INT1 pin is active low. 0 – The logic level for INT1 pin is active high. |
| 6 | INT1_OPEN | 1 – INT1 pin is configured as open drain. 0 – INT1 pin is configured as push-pull. |
| 5 | INT1_LATCH_EN | 1 – INT1 pin level held until interrupt status is cleared. 0 – INT1 pin indicates interrupt pulse is width 50 μ s. |
| 4 | INT_ANYRD_2CLEAR | 1 – Interrupt status in INT_STATUS is cleared (set to 0) if any read operation is performed. 0 – Interrupt status in INT_STATUS is cleared (set to 0) only by reading INT_STATUS register. This bit only affects the interrupt status bits that are contained in the register INT_STATUS, and the corresponding hardware interrupt. This bit does not affect the interrupt status bits that are contained in registers INT_STATUS_1, INT_STATUS_2, INT_STATUS_3, and the corresponding hardware interrupt. |
| 3 | ACTL_FSYNC | 1 – The logic level for the FSYNC pin as an interrupt to the ICM-20649 is active low. 0 – The logic level for the FSYNC pin as an interrupt to the ICM-20649 is active high. |
| 2 | FSYNC_INT_MODE_EN | 1 – This enables the FSYNC pin to be used as an interrupt. A transition to the active level described by the ACTL_FSYNC bit will cause an interrupt. The status of the interrupt is read in the I ² C Master Status register PASS_THROUGH bit. 0 – This disables the FSYNC pin from causing an interrupt. |
| 1 | BYPASS_EN | When asserted, the I ² C_MASTER interface pins (ES_CL and ES_DA) will go into 'bypass mode' when the I ² C master interface is disabled. |
| 0 | - | Reserved. |

8.1.7 INT_ENABLE

Name: INT_ENABLE

Address: 16 (10h)

Type: USR0

Bank: 0

Serial IF: R/W

Reset Value: 0x00

| BIT | NAME | FUNCTION |
|-----|----------------|---|
| 7 | REG_WOF_EN | 1 – Enable wake on FSYNC interrupt 0 – Function is disabled. |
| 6:5 | - | Reserved |
| 4 | DMP_INT2_EN | 1 – Enable DMP interrupt to propagate to interrupt pin 2. 0 – Function is disabled. |
| 3 | WOM_INT_EN | 1 – Enable interrupt for wake on motion to propagate to interrupt pin 1. 0 – Function is disabled. |
| 2 | PLL_RDY_EN | 1 – Enable PLL RDY interrupt (PLL RDY means PLL is running and in use as the clock source for the system) to propagate to interrupt pin 1. 0 – Function is disabled. |
| 1 | DMP_INT1_EN | 1 – Enable DMP interrupt to propagate to interrupt pin 1. 0 – Function is disabled. |
| 0 | I2C_MST_INT_EN | 1 – Enable I ² C master interrupt to propagate to interrupt pin 1. 0 – Function is disabled. |

8.1.8 INT_ENABLE_1

Name: INT_ENABLE_1

Address: 17 (11h)

Type: USR0

Bank: 0

Serial IF: R/W

Reset Value: 0x00

| BIT | NAME | FUNCTION |
|-----|-------------------|---|
| 7 | INT2_ACTL | 1 – The logic level for INT2 pin is active low. 0 – The logic level for INT2 pin is active high. |
| 6 | INT2_OPEN | 1 – INT2 pin is configured as open drain. 0 – INT2 pin is configured as push-pull. |
| 5 | INT2_LATCH_EN | 1 – INT2 pin level held until interrupt status is cleared. 0 – INT2 pin indicates interrupt pulse is width 50 μ s. |
| 4:1 | - | Reserved. |
| 0 | RAW_DATA_0_RDY_EN | 1 – Enable raw data ready interrupt from any sensor to propagate to interrupt pin 1. 0 – Function is disabled. |

8.1.9 INT_ENABLE_2

Name: INT_ENABLE_2

Address: 18 (12h)

Type: USR0

Bank: 0

Serial IF: R/W

Reset Value: 0x00

| BIT | NAME | FUNCTION |
|-----|-----------------------|--|
| 7:5 | - | Reserved. |
| 4:0 | FIFO_OVERFLOW_EN[4:0] | 1 – Enable interrupt for FIFO overflow to propagate to interrupt pin 1. 0 – Function is disabled. |

8.1.10 INT_ENABLE_3

Name: INT_ENABLE_3

Address: 19 (13h)

Type: USR0

Bank: 0

Serial IF: R/W

Reset Value: 0x00

| BIT | NAME | FUNCTION |
|-----|-----------------|---|
| 7:5 | - | Reserved. |
| 4:0 | FIFO_WM_EN[4:0] | 1 – Enable interrupt for FIFO watermark to propagate to interrupt pin 1. 0 – Function is disabled. |

8.1.11 I2C_MST_STATUS

Name: I2C_MST_STATUS

Address: 23 (17h)

Type: USR0

Bank: 0

Serial IF: R/C

Reset Value: 0x00

| BIT | NAME | FUNCTION |
|-----|---------------|--|
| 7 | PASS_THROUGH | Status of FSYNC interrupt – used as a way to pass an external interrupt through this chip to the host. If enabled in the INT_PIN_CFG register by asserting bit FSYNC_INT_MODE_EN, this will cause an interrupt. A read of this register clears all status bits in this register. |
| 6 | I2C_SLV4_DONE | Asserted when I ² C slave 4's transfer is complete, will cause an interrupt if bit I2C_MST_INT_EN in the INT_ENABLE register is asserted, and if the SLV4_DONE_INT_EN bit is asserted in the I2C_SLV4_CTRL register. |
| 5 | I2C_LOST_ARB | Asserted when I ² C slave loses arbitration of the I ² C bus, will cause an interrupt if bit I2C_MST_INT_EN in the INT_ENABLE register is asserted. |
| 4 | I2C_SLV4_NACK | Asserted when slave 4 receives a NACK, will cause an interrupt if bit I2C_MST_INT_EN in the INT_ENABLE register is asserted. |
| 3 | I2C_SLV3_NACK | Asserted when slave 3 receives a NACK, will cause an interrupt if bit I2C_MST_INT_EN in the INT_ENABLE register is asserted. |
| 2 | I2C_SLV2_NACK | Asserted when slave 2 receives a NACK, will cause an interrupt if bit I2C_MST_INT_EN in the INT_ENABLE register is asserted. |
| 1 | I2C_SLV1_NACK | Asserted when slave 1 receives a NACK, will cause an interrupt if bit I2C_MST_INT_EN in the INT_ENABLE register is asserted. |
| 0 | I2C_SLV0_NACK | Asserted when slave 0 receives a NACK, will cause an interrupt if bit I2C_MST_INT_EN in the INT_ENABLE register is asserted. |

8.1.12 INT_STATUS

Name: INT_STATUS

Address: 25 (19h)

Type: USR0

Bank: 0

Serial IF: R/C

Reset Value: 0x00

| BIT | NAME | FUNCTION |
|-----|-------------|--|
| 7:4 | - | Reserved. |
| 3 | WOM_INT | 1 – Wake on motion interrupt occurred. |
| 2 | PLL_RDY_INT | 1 – Indicates that the PLL has been enabled and is ready (delay of 4 ms ensures lock). |
| 1 | DMP_INT1 | 1 – Indicates the DMP has generated INT1 interrupt. |
| 0 | I2C_MST_INT | 1 - Indicates I ² C master has generated an interrupt. |

8.1.13 12.1.13 INT_STATUS_1

Name: INT_STATUS_1
Address: 26 (1Ah)
Type: USR0
Bank: 0
Serial IF: R/C
Reset Value: 0x00

| BIT | NAME | FUNCTION |
|-----|--------------------|--|
| 7:1 | - | Reserved. |
| 0 | RAW_DATA_0_RDY_INT | 1 – Sensor Register Raw Data, from all sensors, is updated and ready to be read. |

8.1.14 INT_STATUS_2

Name: INT_STATUS_2
Address: 27 (1Bh)
Type: USR0
Bank: 0
Serial IF: R/C
Reset Value: 0x00

| BIT | NAME | FUNCTION |
|-----|------------------------|---------------------------------------|
| 7:5 | - | Reserved. |
| 4:0 | FIFO_OVERFLOW_INT[4:0] | 1 – FIFO Overflow interrupt occurred. |

8.1.15 INT_STATUS_3

Name: INT_STATUS_3
Address: 28 (1Ch)
Type: USR0
Bank: 0
Serial IF: R/C
Reset Value: 0x00

| BIT | NAME | FUNCTION |
|-----|------------------|--|
| 7:5 | - | Reserved. |
| 4:0 | FIFO_WM_INT[4:0] | 1 – Watermark interrupt for FIFO occurred. |

8.1.16 DELAY_TIMEH

Name: DELAY_TIMEH
Address: 40 (28h)
Type: USR0
Bank: 0
Serial IF: R
Reset Value: 0x00

| BIT | NAME | FUNCTION |
|-----|------------------|---|
| 7:0 | DELAY_TIMEH[7:0] | High-byte of delay time between FSYNC event and the 1st gyro ODR event (after the FSYNC event). Reading DELAY_TIMEH will lock DELAY_TIMEH and DELAY_TIMEL from the next update. Reading DELAY_TIMEL will unlock DELAY_TIMEH and DELAY_TIMEL to take the next update due to an FSYNC event. |

8.1.17 DELAY_TIMEL

Name: DELAY_TIMEL
Address: 41 (29h)
Type: USR0
Bank: 0
Serial IF: R
Reset Value: 0x00

| BIT | NAME | FUNCTION |
|-----|------------------|--|
| 7:0 | DELAY_TIMEL[7:0] | <p>Low-byte of delay time between FSYNC event and the 1st gyro ODR event (after the FSYNC event).</p> <p>Reading DELAY_TIMEH will lock DELAY_TIMEH and DELAY_TIMEL from the next update. Reading DELAY_TIMEL will unlock DELAY_TIMEH and DELAY_TIMEL to take the next update due to an FSYNC event.</p> <p>Delay time in μs = (DELAY_TIMEH * 256 + DELAY_TIMEL) * 0.9645</p> |

8.1.18 ACCEL_XOUT_H

Name: ACCEL_XOUT_H
Address: 45 (2Dh)
Type: USR0
Bank: 0
Serial IF: R
Reset Value: 0x00

| BIT | NAME | FUNCTION |
|-----|-------------------|---|
| 7:0 | ACCEL_XOUT_H[7:0] | High Byte of Accelerometer X-axis data. |

8.1.19 ACCEL_XOUT_L

Name: ACCEL_XOUT_L
Address: 46 (2Eh)
Type: USR0
Bank: 0
Serial IF: R
Reset Value: 0x00

| BIT | NAME | FUNCTION |
|-----|-------------------|---|
| 7:0 | ACCEL_XOUT_L[7:0] | <p>Low Byte of Accelerometer X-axis data.</p> <p>To convert the output of the accelerometer to acceleration measurement use the formula below:</p> $X_acceleration = ACCEL_XOUT / Accel_Sensitivity$ |

8.1.20 ACCEL_YOUT_H

Name: ACCEL_YOUT_H
Address: 47 (2Fh)
Type: USR0
Bank: 0
Serial IF: R
Reset Value: 0x00

| BIT | NAME | FUNCTION |
|-----|-------------------|---|
| 7:0 | ACCEL_YOUT_H[7:0] | High Byte of Accelerometer Y-axis data. |

8.1.21 ACCEL_YOUT_L

Name: ACCEL_YOUT_L
Address: 48 (30h)
Type: USR0
Bank: 0
Serial IF: R
Reset Value: 0x00

| BIT | NAME | FUNCTION |
|-----|-------------------|--|
| 7:0 | ACCEL_YOUT_L[7:0] | Low Byte of Accelerometer Y-axis data To convert the output of the accelerometer to acceleration measurement use the formula below: $Y_acceleration = ACCEL_YOUT / Accel_Sensitivity$ |

8.1.22 ACCEL_ZOUT_H

Name: ACCEL_ZOUT_H
Address: 49 (31h)
Type: USR0
Bank: 0
Serial IF: R
Reset Value: 0x00

| BIT | NAME | FUNCTION |
|-----|-------------------|---|
| 7:0 | ACCEL_ZOUT_H[7:0] | High Byte of Accelerometer Z-axis data. |

8.1.23 ACCEL_ZOUT_L

Name: ACCEL_ZOUT_L
Address: 50 (32h)
Type: USR0
Bank: 0
Serial IF: R
Reset Value: 0x00

| BIT | NAME | FUNCTION |
|-----|-------------------|---|
| 7:0 | ACCEL_ZOUT_L[7:0] | Low Byte of Accelerometer Z-axis data. To convert the output of the accelerometer to acceleration measurement use the formula below: $Z_acceleration = ACCEL_ZOUT / Accel_Sensitivity$ |

8.1.24 GYRO_XOUT_H

Name: GYRO_XOUT_H
Address: 51 (33h)
Type: USR0
Bank: 0
Serial IF: R
Reset Value: 0x00

| BIT | NAME | FUNCTION |
|-----|------------------|-------------------------------------|
| 7:0 | GYRO_XOUT_H[7:0] | High Byte of Gyroscope X-axis data. |

8.1.25 GYRO_XOUT_L

Name: GYRO_XOUT_L
Address: 52 (34h)
Type: USR0
Bank: 0
Serial IF: R
Reset Value: 0x00

| BIT | NAME | FUNCTION |
|-----|------------------|--|
| 7:0 | GYRO_XOUT_L[7:0] | Low Byte of Gyroscope X-axis data. To convert the output of the gyroscope to angular rate measurement use the formula below: $X_angular_rate = GYRO_XOUT / Gyro_Sensitivity$ |

8.1.26 GYRO_YOUT_H

Name: GYRO_YOUT_H
Address: 53 (35h)
Type: USR0
Bank: 0
Serial IF: R
Reset Value: 0x00

| BIT | NAME | FUNCTION |
|-----|------------------|-------------------------------------|
| 7:0 | GYRO_YOUT_H[7:0] | High Byte of Gyroscope Y-axis data. |

8.1.27 GYRO_YOUT_L

Name: GYRO_YOUT_L
Address: 54 (36h)
Type: USR0
Bank: 0
Serial IF: R
Reset Value: 0x00

| BIT | NAME | FUNCTION |
|-----|------------------|--|
| 7:0 | GYRO_YOUT_L[7:0] | Low Byte of Gyroscope Y-axis data. To convert the output of the gyroscope to angular rate measurement use the formula below: $Y_angular_rate = GYRO_YOUT / Gyro_Sensitivity$ |

8.1.28 GYRO_ZOUT_H

Name: GYRO_ZOUT_H
Address: 55 (37h)
Type: USR0
Bank: 0
Serial IF: R
Reset Value: 0x00

| BIT | NAME | FUNCTION |
|-----|------------------|-------------------------------------|
| 7:0 | GYRO_ZOUT_H[7:0] | High Byte of Gyroscope Z-axis data. |

8.1.29 GYRO_ZOUT_L

Name: GYRO_ZOUT_L
Address: 56 (38h)
Type: USR0
Bank: 0
Serial IF: R
Reset Value: 0x00

| BIT | NAME | FUNCTION |
|-----|------------------|--|
| 7:0 | GYRO_ZOUT_L[7:0] | Low Byte of Gyroscope Z-axis data. To convert the output of the gyroscope to angular rate measurement use the formula below: $Z_angular_rate = GYRO_ZOUT / Gyro_Sensitivity$ |

8.1.30 TEMP_OUT_H

Name: TEMP_OUT_H
Address: 57 (39h)
Type: USR0
Bank: 0
Serial IF: R
Reset Value: 0x00

| BIT | NAME | FUNCTION |
|-----|-----------------|--------------------------------|
| 7:0 | TEMP_OUT_H[7:0] | High Byte of Temp sensor data. |

8.1.31 TEMP_OUT_L

Name: TEMP_OUT_L
Address: 58 (3Ah)
Type: USR0
Bank: 0
Serial IF: R
Reset Value: 0x00

| BIT | NAME | FUNCTION |
|-----|-----------------|--|
| 7:0 | TEMP_OUT_L[7:0] | Low Byte of Temp sensor data. To convert the output of the temperature sensor to degrees C use the following formula: $TEMP_degC = ((TEMP_OUT - RoomTemp_Offset) / Temp_Sensitivity) + 21degC$ |

8.1.32 EXT_SLV_SENS_DATA_00

Name: EXT_SLV_SENS_DATA_00
Address: 59 (3Bh)
Type: USR0
Bank: 0
Serial IF: R
Reset Value: 0x00

| BIT | NAME | FUNCTION |
|-----|---------------------------|---|
| 7:0 | EXT_SLV_SENS_DATA_00[7:0] | Sensor data read from external I ² C devices via the I ² C master interface. The data stored is controlled by the I2C_SLV(0-4)_ADDR, I2C_SLV(0-4)_REG, and I2C_SLV(0-4)_CTRL registers. |

8.1.33 EXT_SLV_SENS_DATA_01

Name: EXT_SLV_SENS_DATA_01

Address: 60 (3Ch)

Type: USR0

Bank: 0

Serial IF: R

Reset Value: 0x00

| BIT | NAME | FUNCTION |
|-----|---------------------------|---|
| 7:0 | EXT_SLV_SENS_DATA_01[7:0] | Sensor data read from external I ² C devices via the I ² C master interface. The data stored is controlled by the I2C_SLV(0-4)_ADDR, I2C_SLV(0-4)_REG, and I2C_SLV(0-4)_CTRL registers. |

8.1.34 EXT_SLV_SENS_DATA_02

Name: EXT_SLV_SENS_DATA_02

Address: 61 (3Dh)

Type: USR0

Bank: 0

Serial IF: R

Reset Value: 0x00

| BIT | NAME | FUNCTION |
|-----|---------------------------|---|
| 7:0 | EXT_SLV_SENS_DATA_02[7:0] | Sensor data read from external I ² C devices via the I ² C master interface. The data stored is controlled by the I2C_SLV(0-4)_ADDR, I2C_SLV(0-4)_REG, and I2C_SLV(0-4)_CTRL registers. |

8.1.35 EXT_SLV_SENS_DATA_03

Name: EXT_SLV_SENS_DATA_03

Address: 62 (3Eh)

Type: USR0

Bank: 0

Serial IF: R

Reset Value: 0x00

| BIT | NAME | FUNCTION |
|-----|---------------------------|---|
| 7:0 | EXT_SLV_SENS_DATA_03[7:0] | Sensor data read from external I ² C devices via the I ² C master interface. The data stored is controlled by the I2C_SLV(0-4)_ADDR, I2C_SLV(0-4)_REG, and I2C_SLV(0-4)_CTRL registers. |

8.1.36 EXT_SLV_SENS_DATA_04

Name: EXT_SLV_SENS_DATA_04

Address: 63 (3Fh)

Type: USR0

Bank: 0

Serial IF: R

Reset Value: 0x00

| BIT | NAME | FUNCTION |
|-----|---------------------------|---|
| 7:0 | EXT_SLV_SENS_DATA_04[7:0] | Sensor data read from external I ² C devices via the I ² C master interface. The data stored is controlled by the I2C_SLV(0-4)_ADDR, I2C_SLV(0-4)_REG, and I2C_SLV(0-4)_CTRL registers. |

8.1.37 EXT_SLV_SENS_DATA_05

Name: EXT_SLV_SENS_DATA_05
Address: 64 (40h)
Type: USR0
Bank: 0
Serial IF: R
Reset Value: 0x00

| BIT | NAME | FUNCTION |
|-----|---------------------------|---|
| 7:0 | EXT_SLV_SENS_DATA_05[7:0] | Sensor data read from external I ² C devices via the I ² C master interface. The data stored is controlled by the I2C_SLV(0-4)_ADDR, I2C_SLV(0-4)_REG, and I2C_SLV(0-4)_CTRL registers. |

8.1.38 EXT_SLV_SENS_DATA_06

Name: EXT_SLV_SENS_DATA_06
Address: 65 (41h)
Type: USR0
Bank: 0
Serial IF: R
Reset Value: 0x00

| BIT | NAME | FUNCTION |
|-----|---------------------------|---|
| 7:0 | EXT_SLV_SENS_DATA_06[7:0] | Sensor data read from external I ² C devices via the I ² C master interface. The data stored is controlled by the I2C_SLV(0-4)_ADDR, I2C_SLV(0-4)_REG, and I2C_SLV(0-4)_CTRL registers. |

8.1.39 EXT_SLV_SENS_DATA_07

Name: EXT_SLV_SENS_DATA_07
Address: 66 (42h)
Type: USR0
Bank: 0
Serial IF: R
Reset Value: 0x00

| BIT | NAME | FUNCTION |
|-----|---------------------------|---|
| 7:0 | EXT_SLV_SENS_DATA_07[7:0] | Sensor data read from external I ² C devices via the I ² C master interface. The data stored is controlled by the I2C_SLV(0-4)_ADDR, I2C_SLV(0-4)_REG, and I2C_SLV(0-4)_CTRL registers. |

8.1.40 EXT_SLV_SENS_DATA_08

Name: EXT_SLV_SENS_DATA_08
Address: 67 (43h)
Type: USR0
Bank: 0
Serial IF: R
Reset Value: 0x00

| BIT | NAME | FUNCTION |
|-----|---------------------------|---|
| 7:0 | EXT_SLV_SENS_DATA_08[7:0] | Sensor data read from external I ² C devices via the I ² C master interface. The data stored is controlled by the I2C_SLV(0-4)_ADDR, I2C_SLV(0-4)_REG, and I2C_SLV(0-4)_CTRL registers. |

8.1.41 EXT_SLV_SENS_DATA_09

Name: EXT_SLV_SENS_DATA_09

Address: 68 (44h)

Type: USR0

Bank: 0

Serial IF: R

Reset Value: 0x00

| BIT | NAME | FUNCTION |
|-----|---------------------------|---|
| 7:0 | EXT_SLV_SENS_DATA_09[7:0] | Sensor data read from external I ² C devices via the I ² C master interface. The data stored is controlled by the I2C_SLV(0-4)_ADDR, I2C_SLV(0-4)_REG, and I2C_SLV(0-4)_CTRL registers. |

8.1.42 EXT_SLV_SENS_DATA_10

Name: EXT_SLV_SENS_DATA_10

Address: 69 (45h)

Type: USR0

Bank: 0

Serial IF: R

Reset Value: 0x00

| BIT | NAME | FUNCTION |
|-----|---------------------------|---|
| 7:0 | EXT_SLV_SENS_DATA_10[7:0] | Sensor data read from external I ² C devices via the I ² C master interface. The data stored is controlled by the I2C_SLV(0-4)_ADDR, I2C_SLV(0-4)_REG, and I2C_SLV(0-4)_CTRL registers. |

8.1.43 EXT_SLV_SENS_DATA_11

Name: EXT_SLV_SENS_DATA_11

Address: 70 (46h)

Type: USR0

Bank: 0

Serial IF: R

Reset Value: 0x00

| BIT | NAME | FUNCTION |
|-----|---------------------------|---|
| 7:0 | EXT_SLV_SENS_DATA_11[7:0] | Sensor data read from external I ² C devices via the I ² C master interface. The data stored is controlled by the I2C_SLV(0-4)_ADDR, I2C_SLV(0-4)_REG, and I2C_SLV(0-4)_CTRL registers. |

8.1.44 EXT_SLV_SENS_DATA_12

Name: EXT_SLV_SENS_DATA_12

Address: 71 (47h)

Type: USR0

Bank: 0

Serial IF: R

Reset Value: 0x00

| BIT | NAME | FUNCTION |
|-----|---------------------------|---|
| 7:0 | EXT_SLV_SENS_DATA_12[7:0] | Sensor data read from external I ² C devices via the I ² C master interface. The data stored is controlled by the I2C_SLV(0-4)_ADDR, I2C_SLV(0-4)_REG, and I2C_SLV(0-4)_CTRL registers. |

8.1.45 EXT_SLV_SENS_DATA_13

Name: EXT_SLV_SENS_DATA_13
Address: 72 (48h)
Type: USR0
Bank: 0
Serial IF: R
Reset Value: 0x00

| BIT | NAME | FUNCTION |
|-----|---------------------------|---|
| 7:0 | EXT_SLV_SENS_DATA_13[7:0] | Sensor data read from external I ² C devices via the I ² C master interface. The data stored is controlled by the I2C_SLV(0-4)_ADDR, I2C_SLV(0-4)_REG, and I2C_SLV(0-4)_CTRL registers. |

8.1.46 EXT_SLV_SENS_DATA_14

Name: EXT_SLV_SENS_DATA_14
Address: 73 (49h)
Type: USR0
Bank: 0
Serial IF: R
Reset Value: 0x00

| BIT | NAME | FUNCTION |
|-----|---------------------------|---|
| 7:0 | EXT_SLV_SENS_DATA_14[7:0] | Sensor data read from external I ² C devices via the I ² C master interface. The data stored is controlled by the I2C_SLV(0-4)_ADDR, I2C_SLV(0-4)_REG, and I2C_SLV(0-4)_CTRL registers. |

8.1.47 EXT_SLV_SENS_DATA_15

Name: EXT_SLV_SENS_DATA_15
Address: 74 (4Ah)
Type: USR0
Bank: 0
Serial IF: R
Reset Value: 0x00

| BIT | NAME | FUNCTION |
|-----|---------------------------|---|
| 7:0 | EXT_SLV_SENS_DATA_15[7:0] | Sensor data read from external I ² C devices via the I ² C master interface. The data stored is controlled by the I2C_SLV(0-4)_ADDR, I2C_SLV(0-4)_REG, and I2C_SLV(0-4)_CTRL registers. |

8.1.48 EXT_SLV_SENS_DATA_16

Name: EXT_SLV_SENS_DATA_16
Address: 75 (4Bh)
Type: USR0
Bank: 0
Serial IF: R
Reset Value: 0x00

| BIT | NAME | FUNCTION |
|-----|---------------------------|---|
| 7:0 | EXT_SLV_SENS_DATA_16[7:0] | Sensor data read from external I ² C devices via the I ² C master interface. The data stored is controlled by the I2C_SLV(0-4)_ADDR, I2C_SLV(0-4)_REG, and I2C_SLV(0-4)_CTRL registers. |

8.1.49 EXT_SLV_SENS_DATA_17

Name: EXT_SLV_SENS_DATA_17
Address: 76 (4Ch)
Type: USR0
Bank: 0
Serial IF: R
Reset Value: 0x00

| BIT | NAME | FUNCTION |
|-----|---------------------------|---|
| 7:0 | EXT_SLV_SENS_DATA_17[7:0] | Sensor data read from external I ² C devices via the I ² C master interface. The data stored is controlled by the I2C_SLV(0-4)_ADDR, I2C_SLV(0-4)_REG, and I2C_SLV(0-4)_CTRL registers. |

8.1.50 EXT_SLV_SENS_DATA_18

Name: EXT_SLV_SENS_DATA_18
Address: 77 (4Dh)
Type: USR0
Bank: 0
Serial IF: R
Reset Value: 0x00

| BIT | NAME | FUNCTION |
|-----|---------------------------|---|
| 7:0 | EXT_SLV_SENS_DATA_18[7:0] | Sensor data read from external I ² C devices via the I ² C master interface. The data stored is controlled by the I2C_SLV(0-4)_ADDR, I2C_SLV(0-4)_REG, and I2C_SLV(0-4)_CTRL registers. |

8.1.51 EXT_SLV_SENS_DATA_19

Name: EXT_SLV_SENS_DATA_19
Address: 78 (4Eh)
Type: USR0
Bank: 0
Serial IF: R
Reset Value: 0x00

| BIT | NAME | FUNCTION |
|-----|---------------------------|---|
| 7:0 | EXT_SLV_SENS_DATA_19[7:0] | Sensor data read from external I ² C devices via the I ² C master interface. The data stored is controlled by the I2C_SLV(0-4)_ADDR, I2C_SLV(0-4)_REG, and I2C_SLV(0-4)_CTRL registers. |

8.1.52 EXT_SLV_SENS_DATA_20

Name: EXT_SLV_SENS_DATA_20
Address: 79 (4Fh)
Type: USR0
Bank: 0
Serial IF: R
Reset Value: 0x00

| BIT | NAME | FUNCTION |
|-----|---------------------------|---|
| 7:0 | EXT_SLV_SENS_DATA_20[7:0] | Sensor data read from external I ² C devices via the I ² C master interface. The data stored is controlled by the I2C_SLV(0-4)_ADDR, I2C_SLV(0-4)_REG, and I2C_SLV(0-4)_CTRL registers. |

8.1.53 EXT_SLV_SENS_DATA_21

Name: EXT_SLV_SENS_DATA_21
Address: 80 (50h)
Type: USR0
Bank: 0
Serial IF: R
Reset Value: 0x00

| BIT | NAME | FUNCTION |
|-----|---------------------------|---|
| 7:0 | EXT_SLV_SENS_DATA_21[7:0] | Sensor data read from external I ² C devices via the I ² C master interface. The data stored is controlled by the I2C_SLV(0-4)_ADDR, I2C_SLV(0-4)_REG, and I2C_SLV(0-4)_CTRL registers. |

8.1.54 EXT_SLV_SENS_DATA_22

Name: EXT_SLV_SENS_DATA_22
Address: 81 (51h)
Type: USR0
Bank: 0
Serial IF: R
Reset Value: 0x00

| BIT | NAME | FUNCTION |
|-----|---------------------------|---|
| 7:0 | EXT_SLV_SENS_DATA_22[7:0] | Sensor data read from external I ² C devices via the I ² C master interface. The data stored is controlled by the I2C_SLV(0-4)_ADDR, I2C_SLV(0-4)_REG, and I2C_SLV(0-4)_CTRL registers. |

8.1.55 EXT_SLV_SENS_DATA_23

Name: EXT_SLV_SENS_DATA_23
Address: 82 (52h)
Type: USR0
Bank: 0
Serial IF: R
Reset Value: 0x00

| BIT | NAME | FUNCTION |
|-----|---------------------------|---|
| 7:0 | EXT_SLV_SENS_DATA_23[7:0] | Sensor data read from external I ² C devices via the I ² C master interface. The data stored is controlled by the I2C_SLV(0-4)_ADDR, I2C_SLV(0-4)_REG, and I2C_SLV(0-4)_CTRL registers. |

8.1.56 FIFO_EN_1

Name: FIFO_EN_1
Address: 102 (66h)
Type: USR0
Bank: 0
Serial IF: R/W
Reset Value: 0x00

| BIT | NAME | FUNCTION |
|-----|---------------|---|
| 7:4 | - | Reserved. |
| 3 | SLV_3_FIFO_EN | 1 – Write EXT_SENS_DATA registers associated to SLV_3 (as determined by I2C_SLV2_CTRL, I2C_SLV1_CTRL, and I2C_SL20_CTRL) to the FIFO at the sample rate. 0 – Function is disabled. |
| 2 | SLV_2_FIFO_EN | 1 – Write EXT_SENS_DATA registers associated to SLV_2 (as determined by I2C_SLV0_CTRL, I2C_SLV1_CTRL, and I2C_SL20_CTRL) to the FIFO at the sample rate. 0 – Function is disabled. |
| 1 | SLV_1_FIFO_EN | 1 – Write EXT_SENS_DATA registers associated to SLV_1 (as determined by I2C_SLV0_CTRL and I2C_SLV1_CTRL) to the FIFO at the sample rate. 0 – Function is disabled. |
| 0 | SLV_0_FIFO_EN | 1 – Write EXT_SENS_DATA registers associated to SLV_0 (as determined by I2C_SLV0_CTRL) to the FIFO at the sample rate. 0 – Function is disabled. |

8.1.57 FIFO_EN_2

Name: FIFO_EN_2
Address: 103 (67h)
Type: USR0
Bank: 0
Serial IF: R/W
Reset Value: 0x00

| BIT | NAME | FUNCTION |
|-----|----------------|---|
| 7:5 | - | Reserved. |
| 4 | ACCEL_FIFO_EN | 1 – Write ACCEL_XOUT_H, ACCEL_XOUT_L, ACCEL_YOUT_H, ACCEL_YOUT_L, ACCEL_ZOUT_H, and ACCEL_ZOUT_L to the FIFO at the sample rate. 0 – Function is disabled. |
| 3 | GYRO_Z_FIFO_EN | 1 – Write GYRO_ZOUT_H and GYRO_ZOUT_L to the FIFO at the sample rate. 0 – Function is disabled. |
| 2 | GYRO_Y_FIFO_EN | 1 – Write GYRO_YOUT_H and GYRO_YOUT_L to the FIFO at the sample rate. 0 – Function is disabled. |
| 1 | GYRO_X_FIFO_EN | 1 – Write GYRO_XOUT_H and GYRO_XOUT_L to the FIFO at the sample rate. 0 – Function is disabled. |
| 0 | TEMP_FIFO_EN | 1 – Write TEMP_OUT_H and TEMP_OUT_L to the FIFO at the sample rate. 0 – Function is disabled. |

8.1.58 FIFO_RST

Name: FIFO_RST
Address: 104 (68h)
Type: USR0
Bank: 0
Serial IF: R/W
Reset Value: 0x00

| BIT | NAME | FUNCTION |
|-----|-----------------|--|
| 7:5 | - | Reserved. |
| 4:0 | FIFO_RESET[4:0] | S/W FIFO reset. Assert and hold to set FIFO size to 0. Assert and de-assert to reset FIFO. |

8.1.59 FIFO_MODE

Name: FIFO_MODE
Address: 105 (69h)
Type: USR0
Bank: 0
Serial IF: R/W
Reset Value: 0x00

| BIT | NAME | FUNCTION |
|-----|----------------|---|
| 7:5 | - | Reserved. |
| 4:0 | FIFO_MODE[4:0] | 0 - Stream 1 - Snapshot When set to '1', when the FIFO is full, additional writes will not be written to FIFO. When set to '0', when the FIFO is full, additional writes will be written to the FIFO, replacing the oldest data. |

8.1.60 FIFO_COUNTH

Name: FIFO_COUNTH
Address: 112 (70h)
Type: USR0
Bank: 0
Serial IF: R
Reset Value: 0x00

| BIT | NAME | FUNCTION |
|-----|----------------|--|
| 7:5 | - | Reserved. |
| 4:0 | FIFO_CNT[12:8] | High Bits, count indicates the number of written bytes in the FIFO. Reading this byte latches the data for both FIFO_COUNTH, and FIFO_COUNTL. |

8.1.61 FIFO_COUNTL

Name: FIFO_COUNTL
Address: 113 (71h)
Type: USR0
Bank: 0
Serial IF: R
Reset Value: 0x00

| BIT | NAME | FUNCTION |
|-----|---------------|--|
| 7:0 | FIFO_CNT[7:0] | Low bits, count indicates the number of written bytes in the FIFO. |

8.1.62 FIFO_R_W

Name: FIFO_R_W
Address: 114 (72h)
Type: USR0
Bank: 0
Serial IF: R/W
Reset Value: 0x00

| BIT | NAME | FUNCTION |
|-----|---------------|---|
| 7:0 | FIFO_R_W[7:0] | Reading from or writing to this register actually reads/writes the FIFO. For example, to write a byte to the FIFO, write the desired byte value to FIFO_R_W[7:0]. To read a byte from the FIFO, perform a register read operation and access the result in FIFO_R_W[7:0]. |

8.1.63 DATA_RDY_STATUS

Name: DATA_RDY_STATUS
Address: 116 (74h)
Type: USR0
Bank: 0
Serial IF: R/C
Reset Value: 0x00

| BIT | NAME | FUNCTION |
|-----|-------------------|--|
| 7 | WOF_STATUS | Wake on FSYNC interrupt status. Cleared on read. |
| 6:4 | - | Reserved. |
| 3:0 | RAW_DATA_RDY[3:0] | Data from sensors is copied to FIFO or SRAM. Set when sequence controller kicks off on a sensor data load. Only bit 0 is relevant in a single FIFO configuration. Cleared on read. |

8.1.64 FIFO_CFG

Name: FIFO_CFG
Address: 118 (76h)
Type: USR0
Bank: 0
Serial IF: R/W
Reset Value: 0x00

| BIT | NAME | FUNCTION |
|-----|----------|--|
| 7:1 | - | Reserved. |
| 0 | FIFO_CFG | This bit should be set to 1 if interrupt status for each sensor is required. |

8.1.65 REG_BANK_SEL

Name: REG_BANK_SEL
Address: 127 (7Fh)
Type: ALL
Bank: 0
Serial IF: R/W
Reset Value: 0x00

| BIT | NAME | FUNCTION |
|-----|----------------|---|
| 7:6 | - | Reserved. |
| 5:4 | USER_BANK[1:0] | Use the following values in this bit-field to select a USER BANK. 0: Select USER BANK 0 1: Select USER BANK 1 2: Select USER BANK 2 3: Select USER BANK 3 |
| 3:0 | - | Reserved. |

8.2 USR BANK 1 REGISTER MAP

8.2.1 SELF_TEST_X_GYRO

Name: SELF_TEST_X_GYRO

Address: 2 (02h)

Type: USR1

Bank: 1

Serial IF: R/W

Reset Value: 0x00

| BIT | NAME | FUNCTION |
|-----|-----------------|---|
| 7:0 | XG_ST_DATA[7:0] | The value in this register indicates the self-test output generated during manufacturing tests. This value is to be used to check against subsequent self-test outputs performed by the end user. |

8.2.2 SELF_TEST_Y_GYRO

Name: SELF_TEST_Y_GYRO

Address: 3 (03h)

Type: USR1

Bank: 1

Serial IF: R/W

Reset Value: 0x00

| BIT | NAME | FUNCTION |
|-----|-----------------|---|
| 7:0 | YG_ST_DATA[7:0] | The value in this register indicates the self-test output generated during manufacturing tests. This value is to be used to check against subsequent self-test outputs performed by the end user. |

8.2.3 SELF_TEST_Z_GYRO

Name: SELF_TEST_Z_GYRO

Address: 4 (04h)

Type: USR1

Bank: 1

Serial IF: R/W

Reset Value: 0x00

| BIT | NAME | FUNCTION |
|-----|-----------------|---|
| 7:0 | ZG_ST_DATA[7:0] | The value in this register indicates the self-test output generated during manufacturing tests. This value is to be used to check against subsequent self-test outputs performed by the end user. |

8.2.4 SELF_TEST_X_ACCEL

Name: SELF_TEST_X_ACCEL

Address: 14 (0Eh)

Type: USR1

Bank: 1

Serial IF: R/W

Reset Value: 0x00

| BIT | NAME | FUNCTION |
|-----|-----------------|--|
| 7:0 | XA_ST_DATA[7:0] | Contains self-test data for the X Accelerometer. |

8.2.5 SELF_TEST_Y_ACCEL

Name: SELF_TEST_Y_ACCEL
Address: 15 (0Fh)
Type: USR1
Bank: 1
Serial IF: R/W
Reset Value: 0x00

| BIT | NAME | FUNCTION |
|-----|-----------------|--|
| 7:0 | YA_ST_DATA[7:0] | Contains self-test data for the Y Accelerometer. |

8.2.6 SELF_TEST_Z_ACCEL

Name: SELF_TEST_Z_ACCEL
Address: 16 (10h)
Type: USR1
Bank: 1
Serial IF: R/W
Reset Value: 0x00

| BIT | NAME | FUNCTION |
|-----|-----------------|--|
| 7:0 | ZA_ST_DATA[7:0] | Contains self-test data for the Z Accelerometer. |

8.2.7 XA_OFFS_H

Name: XA_OFFS_H
Address: 20 (14h)
Type: USR1
Bank: 1
Serial IF: R/W
Reset Value: Trimmed on a per-part basis for optimal performance

| BIT | NAME | FUNCTION |
|-----|---------------|--|
| 7:0 | XA_OFFS[14:7] | Upper bits of the X accelerometer offset cancellation. |

8.2.8 XA_OFFS_L

Name: XA_OFFS_L
Address: 21 (15h)
Type: USR1
Bank: 1
Serial IF: R/W
Reset Value: Trimmed on a per-part basis for optimal performance

| BIT | NAME | FUNCTION |
|-----|--------------|--|
| 7:1 | XA_OFFS[6:0] | Lower bits of the X accelerometer offset cancellation. |
| 0 | - | Reserved. |

8.2.9 YA_OFFS_H

Name: YA_OFFS_H
Address: 23 (17h)
Type: USR1
Bank: 1
Serial IF: R/W
Reset Value: Trimmed on a per-part basis for optimal performance

| BIT | NAME | FUNCTION |
|-----|---------------|--|
| 7:0 | YA_OFFS[14:7] | Upper bits of the Y accelerometer offset cancellation. |

8.2.10 YA_OFFS_L

Name: YA_OFFS_L
Address: 24 (18h)
Type: USR1
Bank: 1
Serial IF: R/W
Reset Value: Trimmed on a per-part basis for optimal performance

| BIT | NAME | FUNCTION |
|-----|--------------|--|
| 7:1 | YA_OFFS[6:0] | Lower bits of the Y accelerometer offset cancellation. |
| 0 | - | Reserved. |

8.2.11 ZA_OFFS_H

Name: ZA_OFFS_H
Address: 26 (1Ah)
Type: USR1
Bank: 1
Serial IF: R/W
Reset Value: Trimmed on a per-part basis for optimal performance

| BIT | NAME | FUNCTION |
|-----|---------------|--|
| 7:0 | ZA_OFFS[14:7] | Upper bits of the Z accelerometer offset cancellation. |

8.2.12 ZA_OFFS_L

Name: ZA_OFFS_L
Address: 27 (1Bh)
Type: USR1
Bank: 1
Serial IF: R/W
Reset Value: Trimmed on a per-part basis for optimal performance

| BIT | NAME | FUNCTION |
|-----|--------------|--|
| 7:1 | ZA_OFFS[6:0] | Lower bits of the Z accelerometer offset cancellation. |
| 0 | - | Reserved. |

8.2.13 TIMEBASE_CORRECTION_PLL

Name: TIMEBASE_CORRECTION_PLL
Address: 40 (28h)
Type: USR1
Bank: 1
Serial IF: R/W
Reset Value: 0x00

| BIT | NAME | FUNCTION |
|-----|--------------|---|
| 7:0 | TBC_PLL[7:0] | System PLL clock period error (signed, [-10%, +10%]). |

8.2.14 REG_BANK_SEL

Name: REG_BANK_SEL

Address: 127 (7Fh)

Type:

Bank: 1

Serial IF: R/W

Reset Value: 0x00

| BIT | NAME | FUNCTION |
|-----|----------------|--|
| 7:6 | - | Reserved. |
| 5:4 | USER_BANK[1:0] | Use the following values in this bit-field to select a USER BANK 0: Select USER BANK 0 1: Select USER BANK 1 2: Select USER BANK 2 3: Select USER BANK 3 |
| 3:0 | - | Reserved. |

8.3 USR BANK 2 REGISTER MAP

8.3.1 GYRO_SMPLRT_DIV

Name: GYRO_SMPLRT_DIV

Address: 0 (00h)

Type: USR2

Bank: 2

Serial IF: R/W

Reset Value: 0x00

| BIT | NAME | FUNCTION |
|-----|----------------------|---|
| 7:0 | GYRO_SMPLRT_DIV[7:0] | Gyro sample rate divider. Divides the internal sample rate to generate the sample rate that controls sensor data output rate, FIFO sample rate, and DMP sequence rate. Note: This register is only effective when FCHOICE = 1'b1 (FCHOICE_B register bit is 1'b0), and (0 < DLPF_CFG < 7). ODR is computed as follows: 1.1 kHz/(1+GYRO_SMPLRT_DIV[7:0]) |

8.3.2 GYRO_CONFIG_1

Name: GYRO_CONFIG_1

Address: 1 (01h)

Type: USR2

Bank: 2

Serial IF: R/W

Reset Value: 0x01

| BIT | NAME | FUNCTION |
|-----|-------------------|--|
| 7:6 | - | Reserved. |
| 5:3 | GYRO_DLPFCFG[2:0] | Gyro low pass filter configuration as shown in Table 15. |
| 2:1 | GYRO_FS_SEL[1:0] | Gyro Full Scale Select: 00 = ±500 dps 01 = ±1000 dps 10 = ±2000 dps 11 = ±4000 dps |
| 0 | GYRO_FCHOICE | 0 – Bypass gyro DLPF. 1 – Enable gyro DLPF. |

The gyroscope DLPF is configured by GYRO_DLPFCFG, when GYRO_FCHOICE = 1. The gyroscope data is filtered according to the value of GYRO_DLPFCFG and GYRO_FCHOICE as shown in Table 15.

| GYRO_FCHOICE | GYRO_DLPFCFG | Output | | |
|--------------|--------------|-------------|----------|---|
| | | 3dB BW [Hz] | NBW [Hz] | Rate [Hz] |
| 0 | x | 12106 | 12316 | 9000 |
| 1 | 0 | 196.6 | 229.8 | 1125/(1+GYRO_SMPLRT_DIV)Hz where GYRO_SMPLRT_DIV is 0, 1, 2,...255 |
| 1 | 1 | 151.8 | 187.6 | 1125/(1+GYRO_SMPLRT_DIV)Hz where GYRO_SMPLRT_DIV is 0, 1, 2,...255 |
| 1 | 2 | 119.5 | 154.3 | 1125/(1+GYRO_SMPLRT_DIV)Hz where GYRO_SMPLRT_DIV is 0, 1, 2,...255 |
| 1 | 3 | 51.2 | 73.3 | 1125/(1+GYRO_SMPLRT_DIV)Hz where GYRO_SMPLRT_DIV is 0, 1, 2,...255 |
| 1 | 4 | 23.9 | 35.9 | 1125/(1+GYRO_SMPLRT_DIV)Hz where GYRO_SMPLRT_DIV is 0, 1, 2,...255 |
| 1 | 5 | 11.6 | 17.8 | 1125/(1+GYRO_SMPLRT_DIV)Hz where GYRO_SMPLRT_DIV is 0, 1, 2,...255 |
| 1 | 6 | 5.7 | 8.9 | 1125/(1+GYRO_SMPLRT_DIV)Hz where GYRO_SMPLRT_DIV is 0, 1, 2,...255 |
| 1 | 7 | 361.4 | 376.5 | 1125/(1+GYRO_SMPLRT_DIV)Hz where GYRO_SMPLRT_DIV is 0, 1, 2,...255 |

Table 15. Configuration

8.3.3 GYRO_CONFIG_2

Name: GYRO_CONFIG_2

Address: 2 (02h)

Type: USR2

Bank: 2

Serial IF: R/W

Reset Value: 0x00

| BIT | NAME | FUNCTION |
|-----|------------------|--|
| 7:6 | - | Reserved. |
| 5 | XGYRO_CTEN | X Gyro self-test enable. |
| 4 | YGYRO_CTEN | Y Gyro self-test enable. |
| 3 | ZGYRO_CTEN | Z Gyro self-test enable. |
| 2:0 | GYRO_AVGCFG[2:0] | Averaging filter configuration settings for low-power mode. 0: 1x averaging 1: 2x averaging 2: 4x averaging 3: 8x averaging 4: 16x averaging 5: 32x averaging 6: 64x averaging 7: 128x averaging |

Table 16 lists the gyroscope filter bandwidths available in the low-power mode of operation. In the low-power mode of operation, the gyroscope is duty-cycled.

| GYRO_SmplRT_DIV | Averages | 1x | 2x | 4x | 8x | 16x | 32x | 64x | 128x |
|-----------------|--|------------------------------|-------|-------|-------|------|-------|-------|-------|
| | GYRO_FCHOICE | 1 | 1 | 1 | 1 | 1 | 1 | 1 | 1 |
| | GYRO_AVGCFG | 0 | 1 | 2 | 3 | 4 | 5 | 6 | 7 |
| | Ton [ms] | 1.15 | 1.59 | 2.48 | 4.26 | 7.82 | 14.93 | 29.15 | 57.59 |
| | NBW [Hz] | 773.5 | 469.8 | 257.8 | 134.8 | 68.9 | 34.8 | 17.5 | 8.8 |
| | RMS Noise [dps-rms] TYP (based on gyroscope noise: 0.0175dps/ $\sqrt{\text{Hz}}$) | 0.49 | 0.38 | 0.28 | 0.20 | 0.15 | 0.10 | 0.07 | 0.05 |
| | ODR [Hz] | Current Consumption [mA] TYP | | | | | | | |
| 255 | 4.4 | 1.04 | 1.05 | 1.05 | 1.06 | 1.09 | 1.14 | 1.24 | 1.45 |
| 64 | 17.3 | 1.07 | 1.08 | 1.10 | 1.15 | 1.25 | 1.45 | 1.85 | N/A |
| 63 | 17.6 | 1.07 | 1.08 | 1.11 | 1.16 | 1.26 | 1.46 | 1.87 | |
| 32 | 34.1 | 1.10 | 1.12 | 1.17 | 1.27 | 1.47 | 1.86 | N/A | |
| 31 | 35.2 | 1.10 | 1.13 | 1.18 | 1.28 | 1.48 | 1.89 | | |
| 22 | 48.9 | 1.13 | 1.16 | 1.23 | 1.37 | 1.66 | 2.22 | | |
| 16 | 66.2 | 1.16 | 1.21 | 1.30 | 1.49 | 1.88 | N/A | | |
| 15 | 70.3 | 1.17 | 1.22 | 1.32 | 1.52 | 1.93 | | | |
| 10 | 102.3 | 1.23 | 1.30 | 1.45 | 1.74 | 2.34 | | | |
| 8 | 125.0 | 1.27 | 1.36 | 1.54 | 1.90 | N/A | | | |
| 7 | 140.6 | 1.30 | 1.40 | 1.60 | 2.01 | | | | |
| 5 | 187.5 | 1.38 | 1.52 | 1.79 | 2.33 | | | | |
| 4 | 225.0 | 1.45 | 1.62 | 1.94 | N/A | | | | |
| 3 | 281.3 | 1.56 | 1.76 | 2.17 | | | | | |
| 2 | 375.0 | 1.74 | 2.00 | N/A | | | | | |
| 1 | 562.5 | 2.09 | N/A | | | | | | |

Table 16. Gyroscope Filter Bandwidths (Low-Power Mode)

Note: Ton is the ON time for motion measurement when the gyroscope is in duty cycle mode.

8.3.4 XG_OFFS_USRH

Name: XG_OFFS_USRH

Address: 3 (03h)

Type: USR2

Bank: 2

Serial IF: R/W

Reset Value: 0x00

| BIT | NAME | FUNCTION |
|-----|-------------------|---|
| 7:0 | X_OFFS_USER[15:8] | Upper byte of X gyro offset cancellation. |

8.3.5 XG_OFFS_USRL

Name: XG_OFFS_USRL
Address: 4 (04h)
Type: USR2
Bank: 2
Serial IF: R/W
Reset Value: 0x00

| BIT | NAME | FUNCTION |
|-----|------------------|---|
| 7:0 | X_OFFS_USER[7:0] | Lower byte of X gyro offset cancellation. |

8.3.6 YG_OFFS_USRH

Name: YG_OFFS_USRH
Address: 5 (05h)
Type: USR2
Bank: 2
Serial IF: R/W
Reset Value: 0x00

| BIT | NAME | FUNCTION |
|-----|-------------------|---|
| 7:0 | Y_OFFS_USER[15:8] | Upper byte of Y gyro offset cancellation. |

8.3.7 YG_OFFS_USRL

Name: YG_OFFS_USRL
Address: 6 (06h)
Type: USR2
Bank: 2
Serial IF: R/W
Reset Value: 0x00

| BIT | NAME | FUNCTION |
|-----|------------------|---|
| 7:0 | Y_OFFS_USER[7:0] | Lower byte of Y gyro offset cancellation. |

8.3.8 ZG_OFFS_USRH

Name: ZG_OFFS_USRH
Address: 7 (07h)
Type: USR2
Bank: 2
Serial IF: R/W
Reset Value: 0x00

| BIT | NAME | FUNCTION |
|-----|-------------------|---|
| 7:0 | Z_OFFS_USER[15:8] | Upper byte of Z gyro offset cancellation. |

8.3.9 ZG_OFFS_USRL

Name: ZG_OFFS_USRL
Address: 8 (08h)
Type: USR2
Bank: 2
Serial IF: R/W
Reset Value: 0x00

| BIT | NAME | FUNCTION |
|-----|------------------|---|
| 7:0 | Z_OFFS_USER[7:0] | Lower byte of Z gyro offset cancellation. |

8.3.10 ODR_ALIGN_EN

Name: ODR_ALIGN_EN
Address: 9 (09h)
Type: USR2
Bank: 2
OTP: No
Serial IF: R/W
Reset Value: 0x00

| BIT | NAME | FUNCTION |
|-----|--------------|---|
| 7:1 | - | Reserved. |
| 0 | ODR_ALIGN_EN | 0: Disables ODR start-time alignment. 1: Enables ODR start-time alignment when any of the following registers is written (with the same value or with different values): GYRO_SMPLRT_DIV, ACCEL_SMPLRT_DIV_1, ACCEL_SMPLRT_DIV_2, I2C_MST_ODR_CONFIG |

8.3.11 ACCEL_SMPLRT_DIV_1

Name: ACCEL_SMPLRT_DIV_1
Address: 16 (10h)
Type: USR2
Bank: 2
Serial IF: R/W
Reset Value: 0x00

| BIT | NAME | FUNCTION |
|-----|------------------------|--------------------------------|
| 7:4 | - | Reserved. |
| 3:0 | ACCEL_SMPLRT_DIV[11:8] | MSB for ACCEL sample rate div. |

8.3.12 ACCEL_SMPLRT_DIV_2

Name: ACCEL_SMPLRT_DIV_2
Address: 17 (11h)
Type: USR2
Bank: 2
Serial IF: R/W
Reset Value: 0x00

| BIT | NAME | FUNCTION |
|-----|-----------------------|--|
| 7:0 | ACCEL_SMPLRT_DIV[7:0] | LSB for ACCEL sample rate div. ODR is computed as follows: $1.125 \text{ kHz} / (1 + \text{ACCEL_SMPLRT_DIV}[11:0])$ |

8.3.13 ACCEL_INTEL_CTRL

Name: ACCEL_INTEL_CTRL
Address: 18 (12h)
Type: USR2
Bank: 2
Serial IF: R/W
Reset Value: 0x00

| BIT | NAME | FUNCTION |
|-----|----------------------|--|
| 7:2 | - | Reserved. |
| 1 | ACCEL_INTEL_EN | Enable the WOM logic. |
| 0 | ACCEL_INTEL_MODE_INT | Selects WOM algorithm. 1- Compare the current sample with the previous sample. 0 - Initial sample is stored, all future samples are compared to the initial sample |

8.3.14 ACCEL_WOM_THR

Name: ACCEL_WOM_THR
Address: 19 (13h)
Type: USR2
Bank: 2
Serial IF: R/W
Reset Value: 0x00

| BIT | NAME | FUNCTION |
|-----|--------------------|---|
| 7:0 | WOM_THRESHOLD[7:0] | This register holds the threshold value for the Wake on Motion Interrupt for ACCEL x/y/z axes. LSB = 4 mg. Range is 0 mg to 1020 mg |

8.3.15 ACCEL_CONFIG

Name: ACCEL_CONFIG
Address: 20 (14h)
Type: USR2
Bank: 2
Serial IF: R/W
Reset Value: 0x01

| BIT | NAME | FUNCTION |
|-----|--------------------|--|
| 7:6 | - | Reserved. |
| 5:3 | ACCEL_DLPFCFG[2:0] | Accelerometer low pass filter configuration as shown in Table 17. |
| 2:1 | ACCEL_FS_SEL[1:0] | Accelerometer Full Scale Select: 00: ±4g 01: ±8g 10: ±16g 11: ±30g |
| 0 | ACCEL_FCHOICE | 0 - Bypass accel DLPF. 1 - Enable accel DLPF. |

| ACCEL_FCHOICE | ACCEL_DLPFCFG | Output | | |
|---------------|---------------|-------------|----------|---|
| | | 3dB BW [Hz] | NBW [Hz] | Rate [Hz] |
| 0 | x | 1209 | 1248 | 4500 |
| 1 | 0 | 246.0 | 265.0 | 1125/(1+ACCEL_SMPLRT_DIV)Hz where ACCEL_SMPLRT_DIV is 0, 1, 2,...4095 |
| 1 | 1 | 246.0 | 265.0 | 1125/(1+ACCEL_SMPLRT_DIV)Hz where ACCEL_SMPLRT_DIV is 0, 1, 2,...4095 |
| 1 | 2 | 111.4 | 136.0 | 1125/(1+ACCEL_SMPLRT_DIV)Hz where ACCEL_SMPLRT_DIV is 0, 1, 2,...4095 |
| 1 | 3 | 50.4 | 68.8 | 1125/(1+ACCEL_SMPLRT_DIV)Hz where ACCEL_SMPLRT_DIV is 0, 1, 2,...4095 |
| 1 | 4 | 23.9 | 34.4 | 1125/(1+ACCEL_SMPLRT_DIV)Hz where ACCEL_SMPLRT_DIV is 0, 1, 2,...4095 |
| 1 | 5 | 11.5 | 17.0 | 1125/(1+ACCEL_SMPLRT_DIV)Hz where ACCEL_SMPLRT_DIV is 0, 1, 2,...4095 |
| 1 | 6 | 5.7 | 8.3 | 1125/(1+ACCEL_SMPLRT_DIV)Hz where ACCEL_SMPLRT_DIV is 0, 1, 2,...4095 |
| 1 | 7 | 473 | 499 | 1125/(1+ACCEL_SMPLRT_DIV)Hz where ACCEL_SMPLRT_DIV is 0, 1, 2,...4095 |

Table 17. Accelerometer Configuration

The data rate out of the DLPF filter block can be further reduced by a factor of 1.125 kHz/(1+ACCEL_SMPLRT_DIV[11:0]) where ACCEL_SMPLRT_DIV is a 12-bit integer.

8.3.16 ACCEL_CONFIG_2

Name: ACCEL_CONFIG_2

Address: 21 (15h)

Type: USR2

Bank: 2

Serial IF: R/W

Reset Value: 0x00

| BIT | NAME | FUNCTION |
|-----|---------------|---|
| 7:5 | - | Reserved. |
| 4 | AX_ST_EN_REG | X Accel self-test enable. |
| 3 | AY_ST_EN_REG | Y Accel self-test enable. |
| 2 | AZ_ST_EN_REG | Z Accel self-test enable. |
| 1:0 | DEC3_CFG[1:0] | Controls the number of samples averaged in the accelerometer decimator: 0: Average 1 or 4 samples depending on ACCEL_FCHOICE (see table below) 1 - Average 8 samples. 2 - Average 16 samples. 3 - Average 32 samples. |

Table 18 lists the accelerometer filter bandwidths available in the low-power mode of operation. In the low-power mode of operation, the accelerometer is duty-cycled.

| | Averages | 1x | 4x | 8x | 16x | 32x |
|------------------|--|------------------------------|-------|-------|-------|-------|
| | ACCEL_FCHOICE | 0 | 1 | 1 | 1 | 1 |
| | ACCEL_DLPFCFG | x | 7 | 7 | 7 | 7 |
| | DEC3_CFG | 0 | 0 | 1 | 2 | 3 |
| | Ton (ms) | 0.821 | 1.488 | 2.377 | 4.154 | 7.71 |
| | NBW (Hz) | 1237.5 | 496.8 | 264.8 | 136.5 | 69.2 |
| | RMS Noise [mg-rms] TYP (based on accelerometer noise: 285µg/√Hz) | 10.0 | 6.4 | 4.6 | 3.3 | 2.4 |
| ACCEL_SmplRT_DIV | ODR [Hz] | Current Consumption [µA] TYP | | | | |
| 4095 | 0.27 | 6.2 | 6.3 | 6.5 | 6.9 | 7.6 |
| 2044 | 0.55 | 6.3 | 6.6 | 7.0 | 7.7 | 9.2 |
| 1022 | 1.1 | 6.7 | 7.2 | 8.0 | 9.4 | 12.3 |
| 513 | 2.2 | 7.3 | 8.4 | 9.9 | 12.8 | 18.6 |
| 255 | 4.4 | 8.7 | 10.9 | 13.8 | 19.7 | 31.4 |
| 127 | 8.8 | 11.4 | 15.8 | 21.6 | 33.3 | 56.7 |
| 63 | 17.6 | 16.8 | 25.6 | 37.3 | 60.7 | 107.5 |
| 31 | 35.2 | 27.6 | 45.2 | 68.6 | 115.3 | 208.9 |
| 22 | 48.9 | 36.1 | 60.5 | 93.0 | 158.1 | 288.3 |
| 15 | 70.3 | 49.2 | 84.3 | 131.1 | 224.7 | 411.9 |
| 10 | 102.3 | 68.9 | 119.9 | 188.0 | 324.1 | 596.3 |
| 7 | 140.6 | 92.4 | 162.7 | 256.3 | 443.3 | N/A |
| 5 | 187.5 | 121.2 | 214.9 | | | |
| 3 | 281.3 | 178.9 | 319.3 | N/A | | |
| 1 | 562.5 | 351.7 | N/A | | | |

Table 18. Accelerometer Configuration 2

Note: Ton is the ON time for motion measurement when the accelerometer is in duty cycle mode.

8.3.17 FSYNC_CONFIG

Name: FSYNC_CONFIG
Address: 82 (52h)
Type: USR2
Bank: 2
Serial IF: R/W
Reset Value: 0x00

| BIT | NAME | FUNCTION |
|-----|-------------------|--|
| 7 | DELAY_TIME_EN | 0 - Disables delay time measurement between FSYNC event and the first ODR event (after FSYNC event). 1 - Enables delay time measurement between FSYNC event and the first ODR event (after FSYNC event). |
| 6 | - | Reserved. |
| 5 | WOF_DEGLITCH_EN | Enables digital deglitching of FSYNC input for Wake on FSYNC. |
| 4 | WOF_EDGE_INT | 0 - FSYNC is a level interrupt for Wake on FSYNC. 1 - FSYNC is an edge interrupt for Wake on FSYNC. ACTL_FSYNC is used to set the polarity of the interrupt. |
| 3:0 | EXT_SYNC_SET[3:0] | Enables the FSYNC pin data to be sampled. EXT_SYNC_SET FSYNC bit location. 0 - Function disabled 1 - TEMP_OUT_L[0] 2 - GYRO_XOUT_L[0] 3 - GYRO_YOUT_L[0] 4 - GYRO_ZOUT_L[0] 5 - ACCEL_XOUT_L[0] 6 - ACCEL_YOUT_L[0] 7 - ACCEL_ZOUT_L[0] |

8.3.18 TEMP_CONFIG

Name: TEMP_CONFIG
Address: 83 (53h)
Type: USR2
Bank: 2
Serial IF: R/W
Reset Value: 0x00

| BIT | NAME | FUNCTION | | | | | | | | | | | | | | | | | | | | | | | | | | | | | |
|------------------|------------------|---|------------------|-------------|--|----------|------------|---|--------|---|---|-------|-------|---|-------|-------|---|------|-------|---|------|-------|---|------|-------|---|-----|------------|---|--------|---|
| 2:0 | TEMP_DLPCFG[2:0] | Low pass filter configuration for temperature sensor as shown in the table below: <table border="1" style="margin-left: 20px;"> <thead> <tr> <th rowspan="2">TEMP_DLPCFG<2:0></th> <th colspan="2">Temp Sensor</th> </tr> <tr> <th>NBW (Hz)</th> <th>Rate (kHz)</th> </tr> </thead> <tbody> <tr> <td>0</td> <td>7932.0</td> <td>9</td> </tr> <tr> <td>1</td> <td>217.9</td> <td>1.125</td> </tr> <tr> <td>2</td> <td>123.5</td> <td>1.125</td> </tr> <tr> <td>3</td> <td>65.9</td> <td>1.125</td> </tr> <tr> <td>4</td> <td>34.1</td> <td>1.125</td> </tr> <tr> <td>5</td> <td>17.3</td> <td>1.125</td> </tr> <tr> <td>6</td> <td>8.8</td> <td>Rate (kHz)</td> </tr> <tr> <td>7</td> <td>7932.0</td> <td>9</td> </tr> </tbody> </table> | TEMP_DLPCFG<2:0> | Temp Sensor | | NBW (Hz) | Rate (kHz) | 0 | 7932.0 | 9 | 1 | 217.9 | 1.125 | 2 | 123.5 | 1.125 | 3 | 65.9 | 1.125 | 4 | 34.1 | 1.125 | 5 | 17.3 | 1.125 | 6 | 8.8 | Rate (kHz) | 7 | 7932.0 | 9 |
| TEMP_DLPCFG<2:0> | Temp Sensor | | | | | | | | | | | | | | | | | | | | | | | | | | | | | | |
| | NBW (Hz) | Rate (kHz) | | | | | | | | | | | | | | | | | | | | | | | | | | | | | |
| 0 | 7932.0 | 9 | | | | | | | | | | | | | | | | | | | | | | | | | | | | | |
| 1 | 217.9 | 1.125 | | | | | | | | | | | | | | | | | | | | | | | | | | | | | |
| 2 | 123.5 | 1.125 | | | | | | | | | | | | | | | | | | | | | | | | | | | | | |
| 3 | 65.9 | 1.125 | | | | | | | | | | | | | | | | | | | | | | | | | | | | | |
| 4 | 34.1 | 1.125 | | | | | | | | | | | | | | | | | | | | | | | | | | | | | |
| 5 | 17.3 | 1.125 | | | | | | | | | | | | | | | | | | | | | | | | | | | | | |
| 6 | 8.8 | Rate (kHz) | | | | | | | | | | | | | | | | | | | | | | | | | | | | | |
| 7 | 7932.0 | 9 | | | | | | | | | | | | | | | | | | | | | | | | | | | | | |

8.3.19 MOD_CTRL_USR

Name: MOD_CTRL_USR
Address: 84 (54h)
Type: USR2
Bank: 2
Serial IF: R/W
Reset Value: 0x03

| BIT | NAME | FUNCTION |
|-----|---------------|--|
| 7:1 | - | Reserved. |
| 0 | REG_LP_DMP_EN | Enable turning on DMP in Low Power Accelerometer mode. |

8.3.20 REG_BANK_SEL

Name: REG_BANK_SEL
Address: 127 (7Fh)
Type: USR2
Bank: 2
Serial IF: R/W
Reset Value: 0x00

| BIT | NAME | FUNCTION |
|-----|----------------|---|
| 7:6 | - | Reserved. |
| 5:4 | USER_BANK[1:0] | Use the following values in this bit-field to select a USER BANK. 0 - Select USER BANK 0 1 - Select USER BANK 1 2 - Select USER BANK 2 3 - Select USER BANK 3 |
| 3:0 | - | Reserved. |

8.4 USR BANK 3 REGISTER MAP

8.4.1 I2C_MST_ODR_CONFIG

Name: I2C_MST_ODR_CONFIG

Address: 0 (00h)

Type: USR3

Bank: 3

Serial IF: R/W

Reset Value: 0x00

| BIT | NAME | FUNCTION |
|-----|-------------------------|---|
| 7:4 | - | Reserved. |
| 3:0 | I2C_MST_ODR_CONFIG[3:0] | ODR configuration for external sensor when gyroscope and accelerometer are disabled. ODR is computed as follows: $1 - 1 \text{ kHz} / (2^{(\text{odr_config}[3:0] - 1)})$ When gyroscope is enabled, all sensors (including I2C_MASTER) use the gyroscope ODR. If gyroscope is disabled then all sensors (including I2C_MASTER) use the accelerometer ODR. |

8.4.2 I2C_MST_CTRL

Name: I2C_MST_CTRL

Address: 1 (01h)

Type: USR3

Bank: 3

Serial IF: R/W

Reset Value: 0x00

| BIT | NAME | FUNCTION |
|-----|------------------|---|
| 7 | MULT_MST_EN | Enables multi-master capability. When disabled, clocking to the I2C_MST_IF can be disabled when not in use and the logic to detect lost arbitration is disabled. |
| 6:5 | - | Reserved. |
| 4 | I2C_MST_P_NSR | This bit controls the I ² C Master's transition from one slave read to the next slave read. 0 - There is a restart between reads. 1 - There is a stop between reads. |
| 3:0 | I2C_MST_CLK[3:0] | Sets I ² C master clock frequency as shown in Table 19. |

8.4.3 I2C_MST_DELAY_CTRL

Name: I2C_MST_DELAY_CTRL

Address: 2 (02h)

Type: USR3

Bank: 3

Serial IF: R/W

Reset Value: 0x00

| BIT | NAME | FUNCTION |
|-----|-------------------|---|
| 7 | DELAY_ES_SHADOW | Delays shadowing of external sensor data until all data is received. |
| 6:5 | - | Reserved. |
| 4 | I2C_SLV4_DELAY_EN | When enabled, slave 4 will only be accessed $1/(1+I2C_SLC4_DLY)$ samples as determined by I2C_MST_ODR_CONFIG. |
| 3 | I2C_SLV3_DELAY_EN | When enabled, slave 3 will only be accessed $1/(1+I2C_SLC4_DLY)$ samples as determined by I2C_MST_ODR_CONFIG. |
| 2 | I2C_SLV2_DELAY_EN | When enabled, slave 2 will only be accessed $1/(1+I2C_SLC4_DLY)$ samples as determined by I2C_MST_ODR_CONFIG. |
| 1 | I2C_SLV1_DELAY_EN | When enabled, slave 1 will only be accessed $1/(1+I2C_SLC4_DLY)$ samples as determined by I2C_MST_ODR_CONFIG. |
| 0 | I2C_SLV0_DELAY_EN | When enabled, slave 0 will only be accessed $1/(1+I2C_SLC4_DLY)$ samples as determined by I2C_MST_ODR_CONFIG. |

8.4.4 I2C_SLV0_ADDR

Name: I2C_SLV0_ADDR
Address: 3 (03h)
Type: USR3
Bank: 3
Serial IF: R/W
Reset Value: 0x00

| BIT | NAME | FUNCTION |
|-----|---------------|---|
| 7 | I2C_SLV0_RNW | 1 – Transfer is a read. 0 – Transfer is a write. |
| 6:0 | I2C_ID_0[6:0] | Physical address of I ² C slave 0. |

8.4.5 I2C_SLV0_REG

Name: I2C_SLV0_REG
Address: 4 (04h)
Type: USR3
Bank: 3
Serial IF: R/W
Reset Value: 0x00

| BIT | NAME | FUNCTION |
|-----|-------------------|--|
| 7:0 | I2C_SLV0_REG[7:0] | I ² C slave 0 register address from where to begin data transfer. |

8.4.6 I2C_SLV0_CTRL

Name: I2C_SLV0_CTRL
Address: 5 (05h)
Type: USR3
Bank: 3
Serial IF: R/W
Reset Value: 0x00

| BIT | NAME | FUNCTION |
|-----|--------------------|---|
| 7 | I2C_SLV0_EN | 1 – Enable reading data from this slave at the sample rate and storing data at the first available EXT_SENS_DATA register, which is always EXT_SENS_DATA_00 for I ² C slave 0. 0 – Function is disabled for this slave. |
| 6 | I2C_SLV0_BYTE_SW | 1 – Swap bytes when reading both the low and high byte of a word. Note there is nothing to swap after reading the first byte if I2C_SLV0_REG[0] = 1, or if the last byte read has a register address LSB = 0. For example, if I2C_SLV0_REG = 0x1, and I2C_SLV0 LENG = 0x4: 1) The first byte read from address 0x1 will be stored at EXT_SENS_DATA_00, 2) The second and third bytes will be read and swapped, so the data read from address 0x2 will be stored at EXT_SENS_DATA_02, and the data read from address 0x3 will be stored at EXT_SENS_DATA_01, 3) The last byte read from address 0x4 will be stored at EXT_SENS_DATA_03 0 – No swapping occurs; bytes are written in order read. |
| 5 | I2C_SLV0_REG_DIS | When set, the transaction does not write a register value, it will only read data, or write data |
| 4 | I2C_SLV0_GRP | External sensor data typically comes in as groups of two bytes. This bit is used to determine if the groups are from the slave’s register address 0 and 1, 2 and 3, etc., or if the groups are address 1 and 2, 3 and 4, etc. 0 indicates slave register addresses 0 and 1 are grouped together (odd numbered register ends the group). 1 indicates slave register addresses 1 and 2 are grouped together (even numbered register ends the group). This allows byte swapping of registers that are grouped starting at any address. |
| 3:0 | I2C_SLV0 LENG[3:0] | Number of bytes to be read from I ² C slave 0. |

8.4.7 I2C_SLV0_DO

Name: I2C_SLV0_DO
Address: 6 (06h)
Type: USR3
Bank: 3
Serial IF: R/W
Reset Value: 0x00

| BIT | NAME | FUNCTION |
|-----|------------------|--|
| 7:0 | I2C_SLV0_DO[7:0] | Data out when slave 0 is set to write. |

8.4.8 I2C_SLV1_ADDR

Name: I2C_SLV1_ADDR
Address: 7 (07h)
Type: USR3
Bank: 3
Serial IF: R/W
Reset Value: 0x00

| BIT | NAME | FUNCTION |
|-----|---------------|---|
| 7 | I2C_SLV1_RNW | 1 – Transfer is a read. 0 – Transfer is a write. |
| 6:0 | I2C_ID_1[6:0] | Physical address of I ² C slave 1. |

8.4.9 I2C_SLV1_REG

Name: I2C_SLV1_REG
Address: 8 (08h)
Type: USR3
Bank: 3
Serial IF: R/W
Reset Value: 0x00

| BIT | NAME | FUNCTION |
|-----|-------------------|--|
| 7:0 | I2C_SLV1_REG[7:0] | I ² C slave 1 register address from where to begin data transfer. |

8.4.10 I2C_SLV1_CTRL

Name: I2C_SLV1_CTRL

Address: 9 (09h)

Type: USR3

Bank: 3

Serial IF: R/W

Reset Value: 0x00

| BIT | NAME | FUNCTION |
|-----|--------------------|--|
| 7 | I2C_SLV1_EN | 1 – Enable reading data from this slave at the sample rate and storing data at the first available EXT_SENS_DATA register as determined by I2C_SLV0_EN and I2C_SLV0 LENG. 0 – Function is disabled for this slave. |
| 6 | I2C_SLV1_BYTE_SW | 1 – Swap bytes when reading both the low and high byte of a word. Note there is nothing to swap after reading the first byte if I2C_SLV1_REG[0] = 1, or if the last byte read has a register address LSB = 0. For example, if I2C_SLV0_EN = 0x1, and I2C_SLV0 LENG = 0x3 (to show swap has to do with I ² C slave address not EXT_SENS_DATA address), and if I2C_SLV1_REG = 0x1, and I2C_SLV1 LENG = 0x4: 1) The first byte read from address 0x1 will be stored at EXT_SENS_DATA_03 (slave 0's data will be in EXT_SENS_DATA_00, EXT_SENS_DATA_01, and EXT_SENS_DATA_02), 2) The second and third bytes will be read and swapped, so the data read from address 0x2 will be stored at EXT_SENS_DATA_04, and the data read from address 0x3 will be stored at EXT_SENS_DATA_05, 3) The last byte read from address 0x4 will be stored at EXT_SENS_DATA_06 0 – No swapping occurs; bytes are written in order read. |
| 5 | I2C_SLV1_REG_DIS | When set, the transaction does not write a register value, it will only read data, or write data |
| 4 | I2C_SLV1_GRP | External sensor data typically comes in as groups of two bytes. This bit is used to determine if the groups are from the slave's register address 0 and 1, 2 and 3, etc., or if the groups are address 1 and 2, 3 and 4, etc. 0 indicates slave register addresses 0 and 1 are grouped together (odd numbered register ends the group). 1 indicates slave register addresses 1 and 2 are grouped together (even numbered register ends the group). This allows byte swapping of registers that are grouped starting at any address. |
| 3:0 | I2C_SLV1 LENG[3:0] | Number of bytes to be read from I ² C slave 1. |

8.4.11 SLV1_DO

Name: I2C_SLV1_DO

Address: 10 (0Ah)

Type: USR3

Bank: 3

Serial IF: R/W

Reset Value: 0x00

| BIT | NAME | FUNCTION |
|-----|------------------|--|
| 7:0 | I2C_SLV1_DO[7:0] | Data out when slave 1 is set to write. |

8.4.12 I2C_SLV2_ADDR

Name: I2C_SLV2_ADDR
Address: 11 (0Bh)
Type: USR3
Bank: 3
Serial IF: R/W
Reset Value: 0x00

| BIT | NAME | FUNCTION |
|-----|---------------|---|
| 7 | I2C_SLV2_RNW | 1 – Transfer is a read. 0 – Transfer is a write. |
| 6:0 | I2C_ID_2[6:0] | Physical address of I ² C slave 2. |

8.4.13 I2C_SLV2_REG

Name: I2C_SLV2_REG
Address: 12 (0Ch)
Type: USR3
Bank: 3
Serial IF: R/W
Reset Value: 0x00

| BIT | NAME | FUNCTION |
|-----|-------------------|--|
| 7:0 | I2C_SLV2_REG[7:0] | I ² C slave 2 register address from where to begin data transfer. |

8.4.14 I2C_SLV2_CTRL

Name: I2C_SLV2_CTRL
Address: 13 (0Dh)
Type: USR3
Bank: 3
Serial IF: R/W
Reset Value: 0x00

| BIT | NAME | FUNCTION |
|-----|--------------------|--|
| 7 | I2C_SLV2_EN | 1 – Enable reading data from this slave at the sample rate and storing data at the first available EXT_SENS_DATA register as determined by I2C_SLV0_EN, I2C_SLV0 LENG, I2C_SLV1_EN and I2C_SLV1 LENG. 0 – Function is disabled for this slave. |
| 6 | I2C_SLV2_BYTE_SW | 1 – Swap bytes when reading both the low and high byte of a word. Note there is nothing to swap after reading the first byte if I2C_SLV2_REG[0] = 1, or if the last byte read has a register address LSB = 0. See I2C_SLV1_CTRL for an example. 0 – No swapping occurs; bytes are written in order read. |
| 5 | I2C_SLV2_REG_DIS | When set, the transaction does not write a register value, it will only read data, or write data |
| 4 | I2C_SLV2_GRP | External sensor data typically comes in as groups of two bytes. This bit is used to determine if the groups are from the slave's register address 0 and 1, 2 and 3, etc., or if the groups are address 1 and 2, 3 and 4, etc. 0 indicates slave register addresses 0 and 1 are grouped together (odd numbered register ends the group). 1 indicates slave register addresses 1 and 2 are grouped together (even numbered register ends the group). This allows byte swapping of registers that are grouped starting at any address. |
| 3:0 | I2C_SLV2 LENG[3:0] | Number of bytes to be read from I ² C slave 2. |

8.4.15 I2C_SLV2_DO

Name: I2C_SLV2_DO
Address: 14 (0Eh)
Type: USR3
Bank: 3
Serial IF: R/W
Reset Value: 0x00

| BIT | NAME | FUNCTION |
|-----|------------------|--|
| 7:0 | I2C_SLV2_DO[7:0] | Data out when slave 2 is set to write. |

8.4.16 I2C_SLV3_ADDR

Name: I2C_SLV3_ADDR
Address: 15 (0Fh)
Type: USR3
Bank: 3
Serial IF: R/W
Reset Value: 0x00

| BIT | NAME | FUNCTION |
|-----|---------------|---|
| 7 | I2C_SLV3_RNW | 1 – Transfer is a read. 0 – Transfer is a write. |
| 6:0 | I2C_ID_3[6:0] | Physical address of I ² C slave 3. |

8.4.17 I2C_SLV3_REG

Name: I2C_SLV3_REG
Address: 16 (10h)
Type: USR3
Bank: 3
Serial IF: R/W
Reset Value: 0x00

| BIT | NAME | FUNCTION |
|-----|-------------------|--|
| 7:0 | I2C_SLV3_REG[7:0] | I ² C slave 3 register address from where to begin data transfer. |

8.4.18 I2C_SLV3_CTRL

Name: I2C_SLV3_CTRL

Address: 17 (11h)

Type: USR3

Bank: 3

Serial IF: R/W

Reset Value: 0x00

| BIT | NAME | FUNCTION |
|-----|--------------------|---|
| 7 | I2C_SLV3_EN | 1 – Enable reading data from this slave at the sample rate and storing data at the first available EXT_SENS_DATA register as determined by I2C_SLV0_EN, I2C_SLV0 LENG, I2C_SLV1_EN, I2C_SLV1 LENG, I2C_SLV2_EN and I2C_SLV2 LENG. 0 – Function is disabled for this slave. |
| 6 | I2C_SLV3_BYTE_SW | 1 – Swap bytes when reading both the low and high byte of a word. Note there is nothing to swap after reading the first byte if I2C_SLV3_REG[0] = 1, or if the last byte read has a register address LSB = 0. See I2C_SLV1_CTRL for an example. 0 – No swapping occurs, bytes are written in order read. |
| 5 | I2C_SLV3_REG_DIS | When set, the transaction does not write a register value, it will only read data, or write data |
| 4 | I2C_SLV3_GRP | External sensor data typically comes in as groups of two bytes. This bit is used to determine if the groups are from the slave’s register address 0 and 1, 2 and 3, etc., or if the groups are address 1 and 2, 3 and 4, etc. 0 indicates slave register addresses 0 and 1 are grouped together (odd numbered register ends the group). 1 indicates slave register addresses 1 and 2 are grouped together (even numbered register ends the group). This allows byte swapping of registers that are grouped starting at any address. |
| 3:0 | I2C_SLV3 LENG[3:0] | Number of bytes to be read from I ² C slave 3. |

8.4.19 I2C_SLV3_DO

Name: I2C_SLV3_DO

Address: 18 (12h)

Type: USR3

Bank: 3

Serial IF: R/W

Reset Value: 0x00

| BIT | NAME | FUNCTION |
|-----|------------------|--|
| 7:0 | I2C_SLV3_DO[7:0] | Data out when slave 3 is set to write. |

8.4.20 I2C_SLV4_ADDR

Name: I2C_SLV4_ADDR
Address: 19 (13h)
Type: USR3
Bank: 3
Serial IF: R/W
Reset Value: 0x00

| BIT | NAME | FUNCTION |
|-----|---------------|---|
| 7 | I2C_SLV4_RNW | 1 – Transfer is a read. 0 – Transfer is a write. |
| 6:0 | I2C_ID_4[6:0] | Physical address of I ² C slave 4. |

Note: The I²C Slave 4 interface can be used to perform only single byte read and write transactions.

8.4.21 I2C_SLV4_REG

Name: I2C_SLV4_REG
Address: 20 (14h)
Type: USR3
Bank: 3
Serial IF: R/W
Reset Value: 0x00

| BIT | NAME | FUNCTION |
|-----|-------------------|--|
| 7:0 | I2C_SLV4_REG[7:0] | I ² C slave 4 register address from where to begin data transfer. |

8.4.22 I2C_SLV4_CTRL

Name: I2C_SLV4_CTRL
Address: 21 (15h)
Type: USR3
Bank: 3
Serial IF: R/W
Reset Value: 0x00

| BIT | NAME | FUNCTION |
|-----|-------------------|--|
| 7 | I2C_SLV4_EN | 1 – Enable data transfer with this slave at the sample rate. If read command, store data in I2C_SLV4_DI register, if write command, write data stored in I2C_SLV4_DO register. Bit is cleared when a single transfer is complete. Be sure to write I2C_SLV4_DO first 0 – Function is disabled for this slave. |
| 6 | I2C_SLV4_INT_EN | 1 – Enables the completion of the I ² C slave 4 data transfer to cause an interrupt. 0 – Completion of the I ² C slave 4 data transfer will not cause an interrupt. |
| 5 | I2C_SLV4_REG_DIS | When set, the transaction does not write a register value, it will only read data, or write data. |
| 4:0 | I2C_SLV4_DLY[4:0] | When enabled via the I2C_MST_DELAY_CTRL, those slaves will only be enabled every $1/(1+I2C_SLV4_DLY)$ samples as determined by I2C_MST_ODR_CONFIG |

8.4.23 I2C_SLV4_DO

Name: I2C_SLV4_DO
Address: 22 (16h)
Type: USR3
Bank: 3
Serial IF: R/W
Reset Value: 0x00

| BIT | NAME | FUNCTION |
|-----|------------------|--|
| 7:0 | I2C_SLV4_DO[7:0] | Data out when slave 4 is set to write. |

8.4.24 I2C_SLV4_DI

Name: I2C_SLV4_DI
Address: 23 (17h)
Type: USR3
Bank: 3
Serial IF: R
Reset Value: 0x00

| BIT | NAME | FUNCTION |
|-----|------------------|--|
| 7:0 | I2C_SLV4_DI[7:0] | Data read from I ² C Slave 4. |

8.4.25 REG_BANK_SEL

Name: REG_BANK_SEL
Address: 127 (7Fh)
Type:
Bank: 3
Serial IF: R/W
Reset Value: 0x00

| BIT | NAME | FUNCTION |
|-----|----------------|---|
| 7:6 | - | Reserved. |
| 5:4 | USER_BANK[1:0] | Use the following values in this bit-field to select a USER BANK: 0 - Select USER BANK 0 1 - Select USER BANK 1 2 - Select USER BANK 2 3 - Select USER BANK 3 |
| 3:0 | - | Reserved. |

9 USE NOTES

9.1 GYROSCOPE MODE TRANSITION

When gyroscope is transitioning from standard to low-noise mode, several unsettled output samples will be observed at the gyroscope output due to filter switching and settling. The number of unsettled gyroscope output samples depends on the filter and ODR settings.

9.2 POWER MANAGEMENT 1 REGISTER SETTING

CLKSEL[2:0] has to be set to 001 to achieve the datasheet performance.

9.3 DMP MEMORY ACCESS

Reading/writing DMP memory and FIFO through I²C in a multithreaded environment can cause wrong data being read. To avoid the issue, one may use SPI instead of I²C, or use I²C with mutexes.

9.4 TIME BASE CORRECTION

The system clock frequency at room temperature in gyroscope mode and 6-Axis mode varies from part to part, and the clock rates specified in datasheet are the nominal values. The percentage of frequency deviation from the nominal values for each part is logged in register TIMEBASE_CORRECTION_PLL, and the range of the code is $\pm 10\%$ with each LSB representing a step of 0.079%. For example, if on one part TIMEBASE_CORRECTION_PLL = 0x0C = d'12, it means the clock frequency in gyroscope mode and 6-Axis mode is $\sim 0.94\%$ faster than the nominal value.

When operating in accelerometer-only mode, the system clock frequency at room temperature is the nominal frequency over parts, and it is independent of the value stored in TIMEBASE_CORRECTION_PLL register.

9.5 I²C MASTER CLOCK FREQUENCY

I²C master clock frequency can be set by register I2C_MST_CLK as shown in the table below. Due to temperature variation and part to part variation of system clock frequency in different power modes, I2C_MST_CLK should be set such that in all conditions the clock frequency will not exceed what a slave device can support. To achieve a targeted clock frequency of 400 kHz, MAX, it is recommended to set I2C_MST_CLK = 7 (345.6 kHz / 46.67% duty cycle).

| I2C_MST_CLK | Nominal CLK Frequency [kHz] | Duty Cycle |
|-------------|-----------------------------|------------|
| 0 | 370.29 | 50.00% |
| 1 | - | - |
| 2 | 370.29 | 50.00% |
| 3 | 432.00 | 50.00% |
| 4 | 370.29 | 42.86% |
| 5 | 370.29 | 50.00% |
| 6 | 345.60 | 40.00% |
| 7 | 345.60 | 46.67% |
| 8 | 304.94 | 47.06% |
| 9 | 432.00 | 50.00% |
| 10 | 432.00 | 41.67% |
| 11 | 432.00 | 41.67% |
| 12 | 471.27 | 45.45% |
| 13 | 432.00 | 50.00% |
| 14 | 345.60 | 46.67% |
| 15 | 345.60 | 46.67% |

Table 19. I²C Master Clock Frequency

9.6 CLOCKING

The internal system clock sources include: (1) an internal relaxation oscillator, and (2) a PLL with MEMS gyroscope oscillator as the reference clock. With the recommended clock selection setting (CLKSEL = 1), the best clock source for optimum sensor performance and power consumption will be automatically selected based on the power mode. Specifically, the internal relaxation oscillator will be selected when operating in accelerometer only mode, while the PLL will be selected whenever gyroscope is on, which includes gyroscope and 6-axis modes.

As clock accuracy is critical to the preciseness of distance and angle calculations performed by DMP, it should be noted that the internal relaxation oscillator and PLL show different performances in some aspects. The internal relaxation oscillator is trimmed to have a consistent operating frequency at room temperature, while the PLL clock frequency varies from part to part. The PLL frequency deviation from the nominal value in percentage is captured in register TIMEBASE_CORRECTION_PLL, and users can factor it in during distance and angle calculations to not sacrifice accuracy. Other than that, PLL has better frequency stability and lower frequency variation over temperature than the internal relaxation oscillator.

9.7 LP_EN BIT-FIELD USAGE

The LP_EN bit-field (User Bank 0, PWR_MGMT_1 register, bit [5] helps to reduce the digital current. The recommended setting for this bit-field is 1 to achieve the lowest possible current. However, when LP_EN is set to 1, user may not be able to write to the following registers. If it is desired to write to registers in this list, it is recommended to first set LP_EN=0, write the desired register(s), then set LP_EN=1 again:

- USER BANK 0: All registers except LP_CONFIG, PWR_MGMT_1, PWR_MGMT_2, INT_PIN_CFG, INT_ENABLE, FIFO_COUNTH, FIFO_COUNTL, FIFO_R_W, FIFO_CFG, REG_BANK_SEL
- USER BANK 1: All registers except REG_BANK_SEL
- USER BANK 2: All registers except REG_BANK_SEL
- USER BANK 3: All registers except REG_BANK_SEL

9.8 REGISTER ACCESS USING SPI INTERFACE

Using the SPI interface, when the AP/user disables the gyroscope sensor (User Bank 0, PWR_MGMT_2 register, bits [2:0]=111) as part of a sequence of register read or write commands, the AP/user will be required to subsequently wait 22 μ s prior to any of the following operations:

(1) Writing to any of the following registers:

- USER BANK 0: All registers except LP_CONFIG, PWR_MGMT_1, PWR_MGMT_2, INT_PIN_CFG, INT_ENABLE, FIFO_COUNTH, FIFO_COUNTL, FIFO_R_W, FIFO_CFG, REG_BANK_SEL
- USER BANK 1: All registers except REG_BANK_SEL
- USER BANK 2: All registers except REG_BANK_SEL
- USER BANK 3: All registers except REG_BANK_SEL

(2) Reading data from FIFO

(3) Reading from memory

10 ORIENTATION OF AXES

Figure 12 shows the orientation of the axes of sensitivity and the polarity of rotation. Note the pin 1 identifier (•) in the figure.

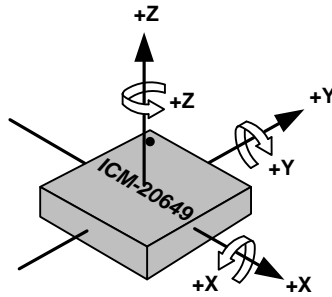


Figure 12. Orientation of Axes of Sensitivity and Polarity of Rotation

11 PACKAGE DIMENSIONS

This section provides package dimensions for the device. Information for the 24 Lead QFN 3.0x3.0x0.9 package is below.

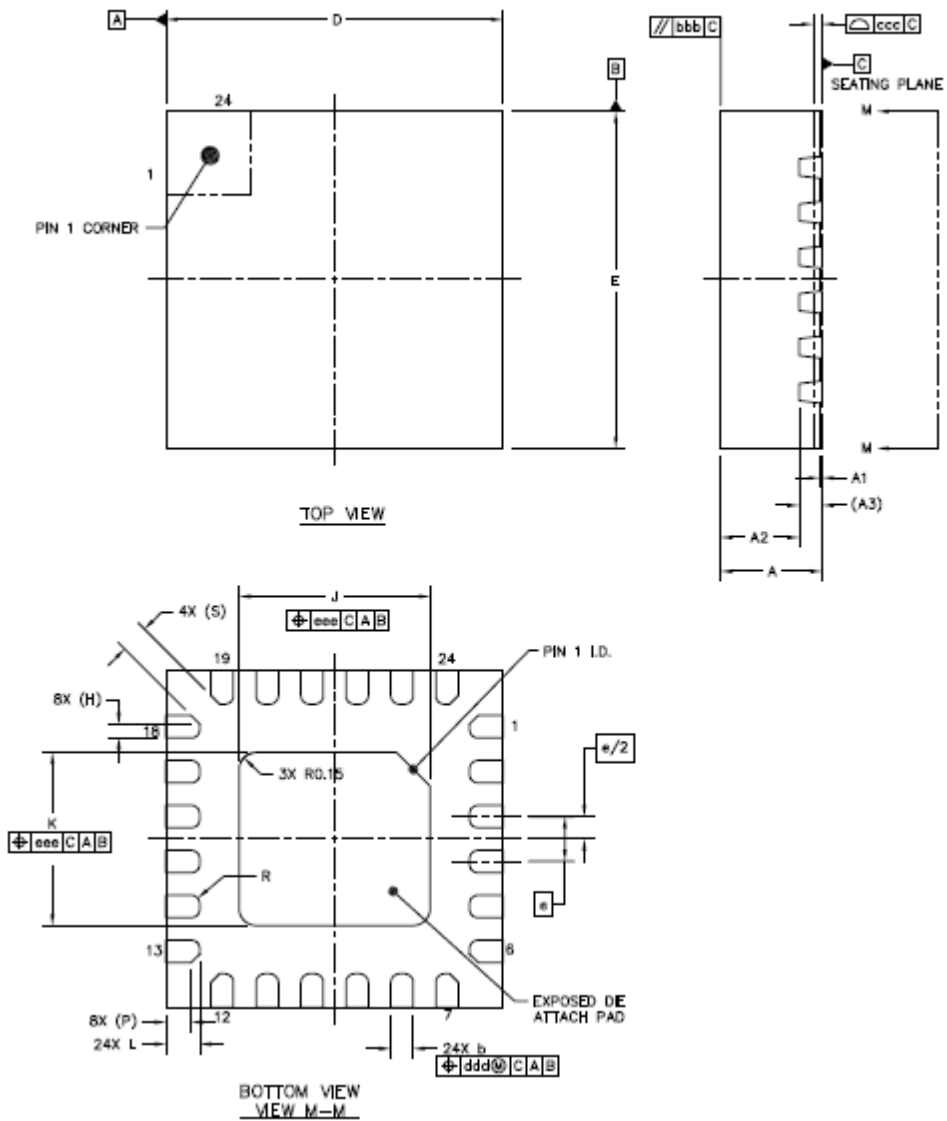


Figure 13. Package Dimensions

| | SYMBOL | MIN. | NOM. | MAX. |
|--------------------|--------|-----------|------|------|
| Total Thickness | A | 0.85 | 0.90 | 0.95 |
| Stand Off | A1 | 0.00 | 0.02 | 0.05 |
| Mold Thickness | A2 | --- | 0.70 | --- |
| L/F Thickness | A3 | 0.203 REF | | |
| Lead Width | b | 0.15 | 0.20 | 0.25 |
| Body Size | D | 2.90 | 3.00 | 3.10 |
| | E | 2.90 | 3.00 | 3.10 |
| Lead Pitch | e | 0.40 BSC | | |
| EP Size | J | 1.65 | 1.70 | 1.75 |
| | K | 1.49 | 1.54 | 1.59 |
| Lead Length | L | 0.25 | 0.30 | 0.35 |
| | S | 0.25 REF | | |
| | R | 0.075 | --- | --- |
| | H | 0.12 REF | | |
| | P | 0.22 REF | | |
| Mold Flatness | bbb | 0.10 | | |
| Coplanarity | ccc | 0.075 | | |
| Lead Offset | ddd | 0.10 | | |
| Exposed Pad Offset | eee | 0.10 | | |

Table 20. Package Dimensions

12 PART NUMBER PART MARKINGS

The part number part markings for ICM-20649 devices are summarized below:

| PART NUMBER | PART NUMBER PART MARKING |
|-------------|--------------------------|
| ICM-20649 | IC2649 |

Table 21. Part Number Package Markings

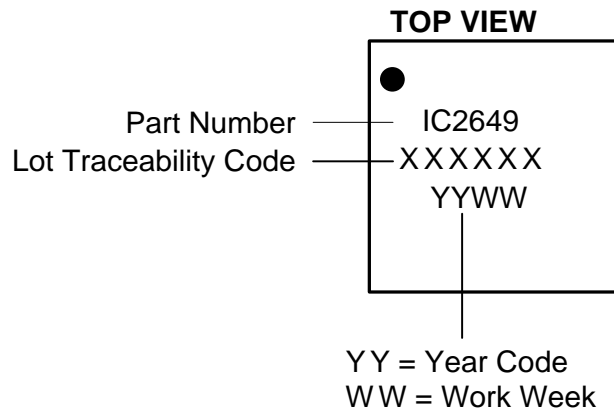


Figure 14. Part Number Package Markings

13 REFERENCES

Please refer to “InvenSense MEMS Handling Application Note (AN-IVS-0002A-00)” for the following information:

- Manufacturing Recommendations
 - Assembly Guidelines and Recommendations
 - PCB Design Guidelines and Recommendations
 - MEMS Handling Instructions
 - ESD Considerations
 - Reflow Specification
 - Storage Specifications
 - Package Marking Specification
 - Tape & Reel Specification
 - Reel & Pizza Box Label
 - Packaging
 - Representative Shipping Carton Label
- Compliance
 - Environmental Compliance
 - DRC Compliance
 - Compliance Declaration Disclaimer

14 REVISION HISTORY

| Revision Date | Revision | Description |
|---------------|----------|--------------------------|
| 03/25/2016 | 0.1 | Initial Release |
| 06/13/2016 | 0.2 | Updated Section 3 |
| 07/22/2016 | 0.3 | Updated Sections 3, 12 |
| 12/13/2016 | 1.0 | Updated Section 3, 6, 12 |

This information furnished by InvenSense is believed to be accurate and reliable. However, no responsibility is assumed by InvenSense for its use, or for any infringements of patents or other rights of third parties that may result from its use. Specifications are subject to change without notice. InvenSense reserves the right to make changes to this product, including its circuits and software, in order to improve its design and/or performance, without prior notice. InvenSense makes no warranties, neither expressed nor implied, regarding the information and specifications contained in this document. InvenSense assumes no responsibility for any claims or damages arising from information contained in this document, or from the use of products and services detailed therein. This includes, but is not limited to, claims or damages based on the infringement of patents, copyrights, mask work and/or other intellectual property rights.

Certain intellectual property owned by InvenSense and described in this document is patent protected. No license is granted by implication or otherwise under any patent or patent rights of InvenSense. This publication supersedes and replaces all information previously supplied. Trademarks that are registered trademarks are the property of their respective companies. InvenSense sensors should not be used or sold in the development, storage, production or utilization of any conventional or mass-destructive weapons or for any other weapons or life threatening applications, as well as in any other life critical applications such as medical equipment, transportation, aerospace and nuclear instruments, undersea equipment, power plant equipment, disaster prevention and crime prevention equipment.

InvenSense® is a registered trademark of InvenSense, Inc. ICS™, ICM-20649™, Digital Motion Processor™, Digital Motion Processor™, Motion Processing Unit™, MotionFusion™, MotionInterface™, MotionTracking™, and MotionApps™ are trademarks of InvenSense, Inc.



©2016-2017 InvenSense, Inc. All rights reserved.