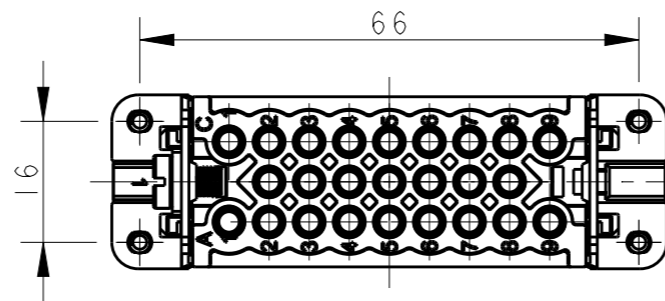
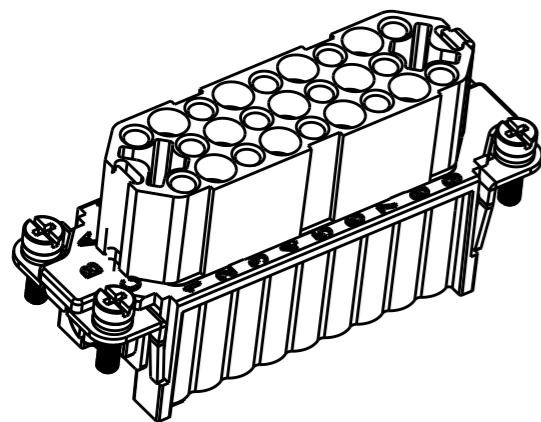


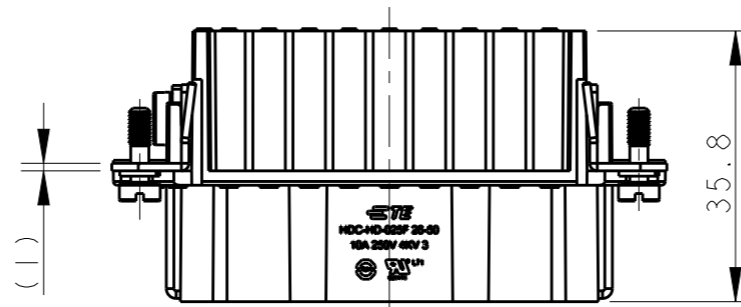
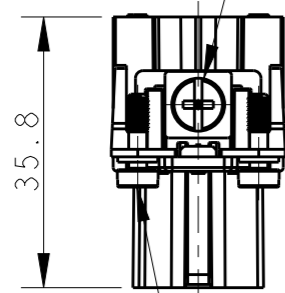
THIS DRAWING IS UNPUBLISHED. RELEASED FOR PUBLICATION 20
 © COPYRIGHT 20 BY - ALL RIGHTS RESERVED.

REVISIONS

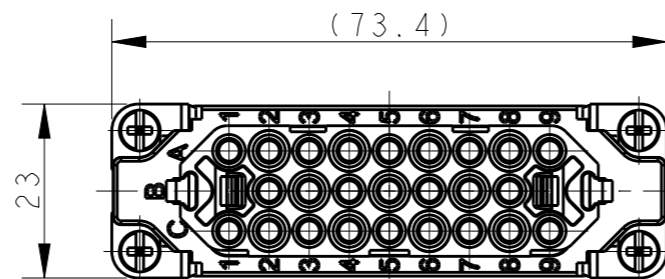
P	LTR	DESCRIPTION	DATE	DWN	APVD
	A	INITIAL RELEASE	29NOV2016	YC	CW



M4 SCREW, RECOMMENDED TIGHTENING TORQUE 1.2Nm
 M4螺丝, 推荐扭力矩为1.2Nm



4X M3 SCREW, RECOMMENDED TIGHTENING TORQUE 0.5Nm
 4X M3螺丝, 推荐扭力矩为0.5Nm

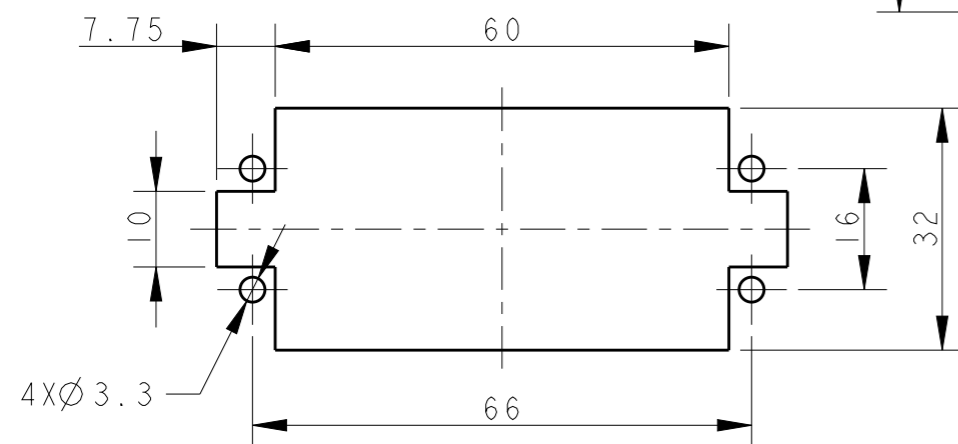


NOTES:

- TECHNICAL CHARACTERISTICS:
 INSULATION MATERIAL: PC
 RATED VOLTAGE: 250 V
 RATED CURRENT: 10 A
 INSULATION RESISTANCE: >=400MΩ
 RATED IMPULSE VOLTAGE: 4 KV
 POLLUTION DEGREE: 3
 FLAMMABILITY: UL94V-0
 MATING CYCLES: 500 CYCLES
 WIRE RANGE: 0.14-2.5 mm² (26-14 AWG)
 CONTACT TYPE: CRIMP CONTACT
- CONTACT NEED TO BE ORDERED SEPARATELY.
 (ORDER No. REFER TO DRAWING: T20200X20XX000)

注释:

- 技术参数:
 绝缘材料: PC
 额定电压: 250V
 额定电流: 10A
 绝缘电阻: >=400MΩ
 额定脉冲电压: 4 KV
 污染等级: 3
 阻燃等级: UL94V-0
 插拔次数: 500次
 接线范围: 0.14-2.5 mm² (26-14 AWG)
 接线类型: 冷压接
- 端子需要单独订购。
 (订货号参考图面: T20200X20XX000)



PANEL CUT OUT DIMENSION FOR INSERT
 WITHOUT HOODS/HOUSING, ONLY FOR REFERENCE
 不使用防护外壳时芯件的开孔安装尺寸, 仅供参考

THIS DRAWING IS A CONTROLLED DOCUMENT.

DIMENSIONS:	TOLERANCES UNLESS OTHERWISE SPECIFIED:
mm	
	0 PLC ±-
	1 PLC ±-
	2 PLC ±-
	3 PLC ±-
	4 PLC ±-
	ANGLES ±-
MATERIAL	FINISH
-	-
-	-

DWN	29NOV2016
YORK CHEN	
CHK	29NOV2016
KYLE ZENG	
APVD	29NOV2016
CHRIS WANG	
PRODUCT SPEC	108-137042
APPLICATION SPEC	114-137042
WEIGHT	-
Customer Drawing	

T2020502201-000	HD-025-F 26-50	HD-025 FEMALE INSERT 26-50 HD-025 母插 26-50
-----------------	----------------	---

PART NUMBER	PART DESCRIPTION
料号	描述



NAME	HD-025-F 26-50
------	----------------

SIZE	CAGE CODE	DRAWING NO	RESTRICTED TO
A3	00779	©-T2020502201000	-

SCALE	SHEET	OF	REV
1:1	1	1	A