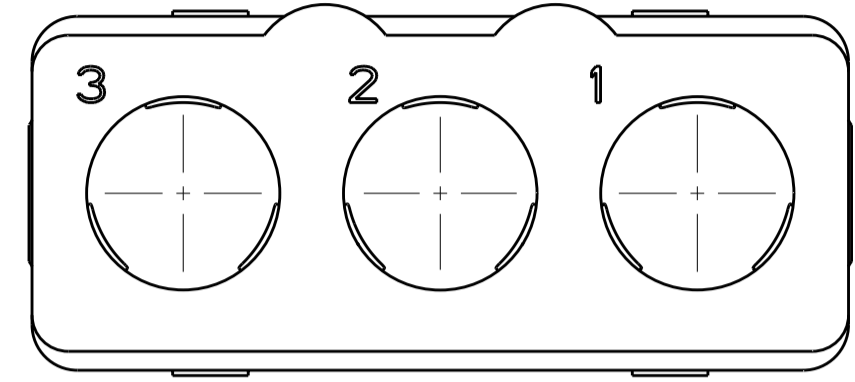
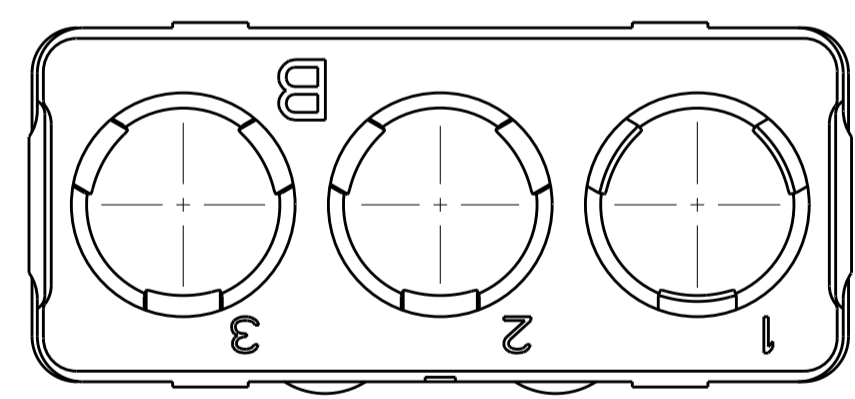
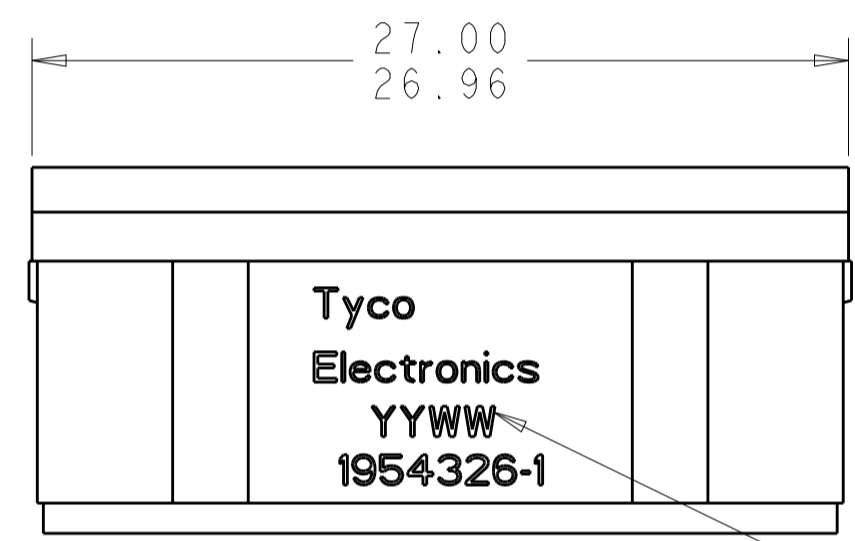
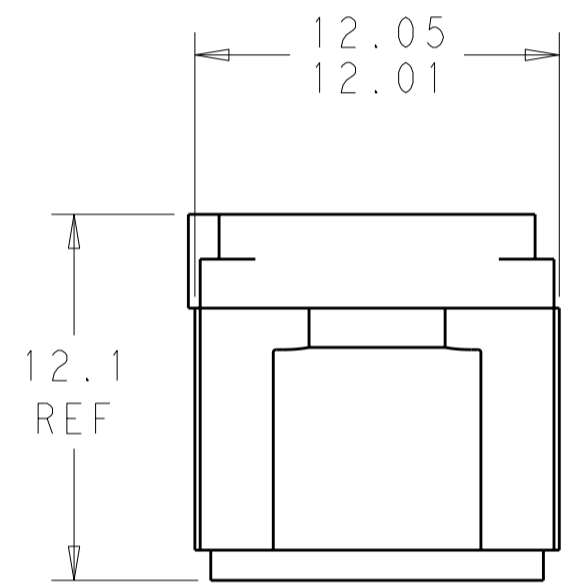


THIS DRAWING IS UNPUBLISHED. RELEASED FOR PUBLICATION 20
 © COPYRIGHT 20 BY TYCO ELECTRONICS CORPORATION. ALL INTERNATIONAL RIGHTS RESERVED.

LOC		DIST		REVISIONS			
P	LTR	DESCRIPTION	DATE	DWN	APVD		
-	-	A	INITIAL RELEASE	20OCT2010	CCT	K.H	



MATING FACE



① FRONT & REAR INSULATOR: HIGH-TEMP THERMOPLASTIC OR THERMOSET EPOXY PER ASTM D5948.
 CONTACT RETENTION CLIPS: STAINLESS STEEL PER AISI 302 OR COPPER ALLOY PER ASTM B194

② DATE CODE: YEAR & WEEK (YY WW)

- 3. DESCRIPTIVE PART NUMBER GPRBNP3PB
THIS INSERT CONTAINS: 3 CAVITIES FOR SIZE 5 PIN POWER CONTACTS
- 4. THIS PRODUCT IS SOLD BY TYCO ELECTRONICS UNDER A LICENSE FROM RADIALL SA.

1954326-1
PART NUMBER

THIS DRAWING IS A CONTROLLED DOCUMENT FOR TYCO ELECTRONICS CORPORATION. IT IS SUBJECT TO CHANGE AND THE CONTROLLING ENGINEERING ORGANIZATION SHOULD BE CONTACTED FOR THE LATEST REVISION.		DWN CC THOMAS 20OCT2010	Tyco Electronics Corporation Harrisburg, PA 17105-3608	
DIMENSIONS: mm		CHK K HOGAN 20OCT2010	NAME INSERT ASSEMBLY, PIN, NON-ENVIRONMENTAL ARRANGEMENT P3, KEY B, GPRB	
TOLERANCES UNLESS OTHERWISE SPECIFIED: 0 PLC ±- 1 PLC ±0.5 2 PLC ±0.13 3 PLC ±0.013 4 PLC ±0.0001 ANGLES ±- FINISH		APVD K HOGAN 20OCT2010	SIZE A200779	
MATERIAL -		PRODUCT SPEC -	DRAWING NO C-1954326	
-		APPLICATION SPEC -	RESTRICTED TO -	
-		WEIGHT -	SCALE 3:1 SHEET 1 OF 1 REV A	
-		CUSTOMER DRAWING		