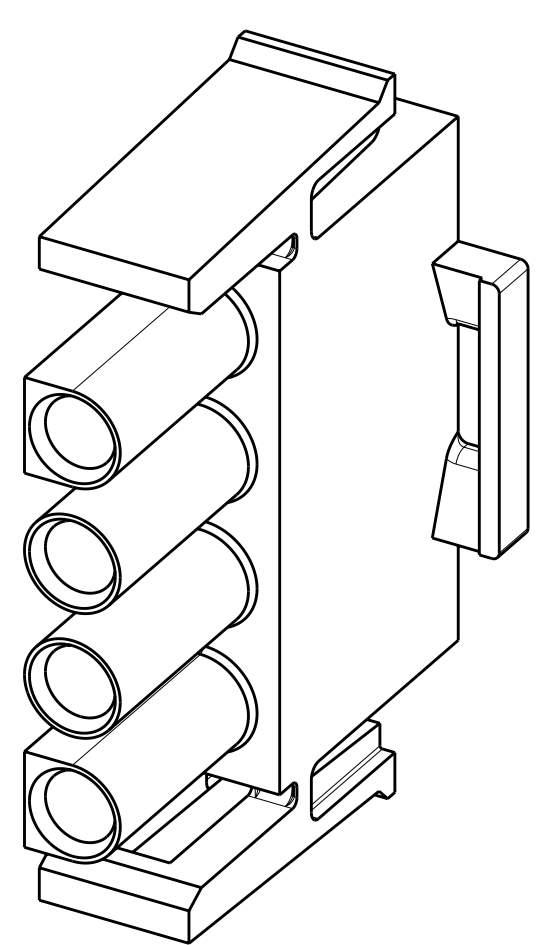
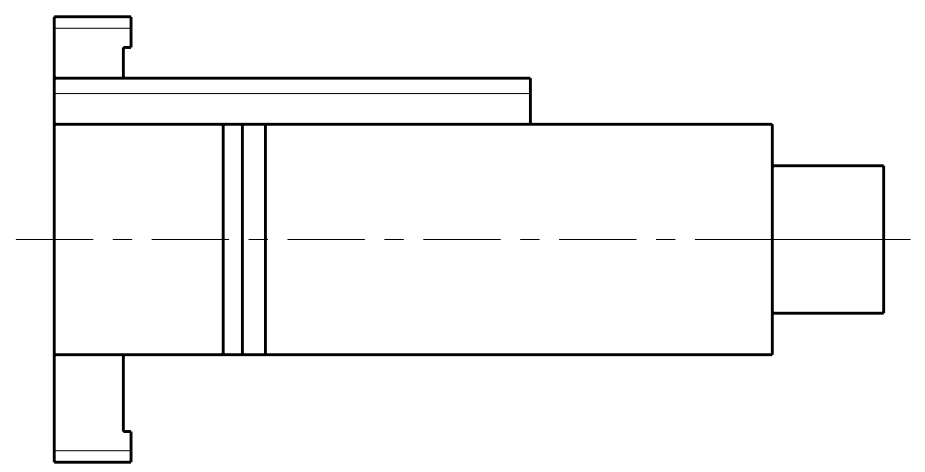
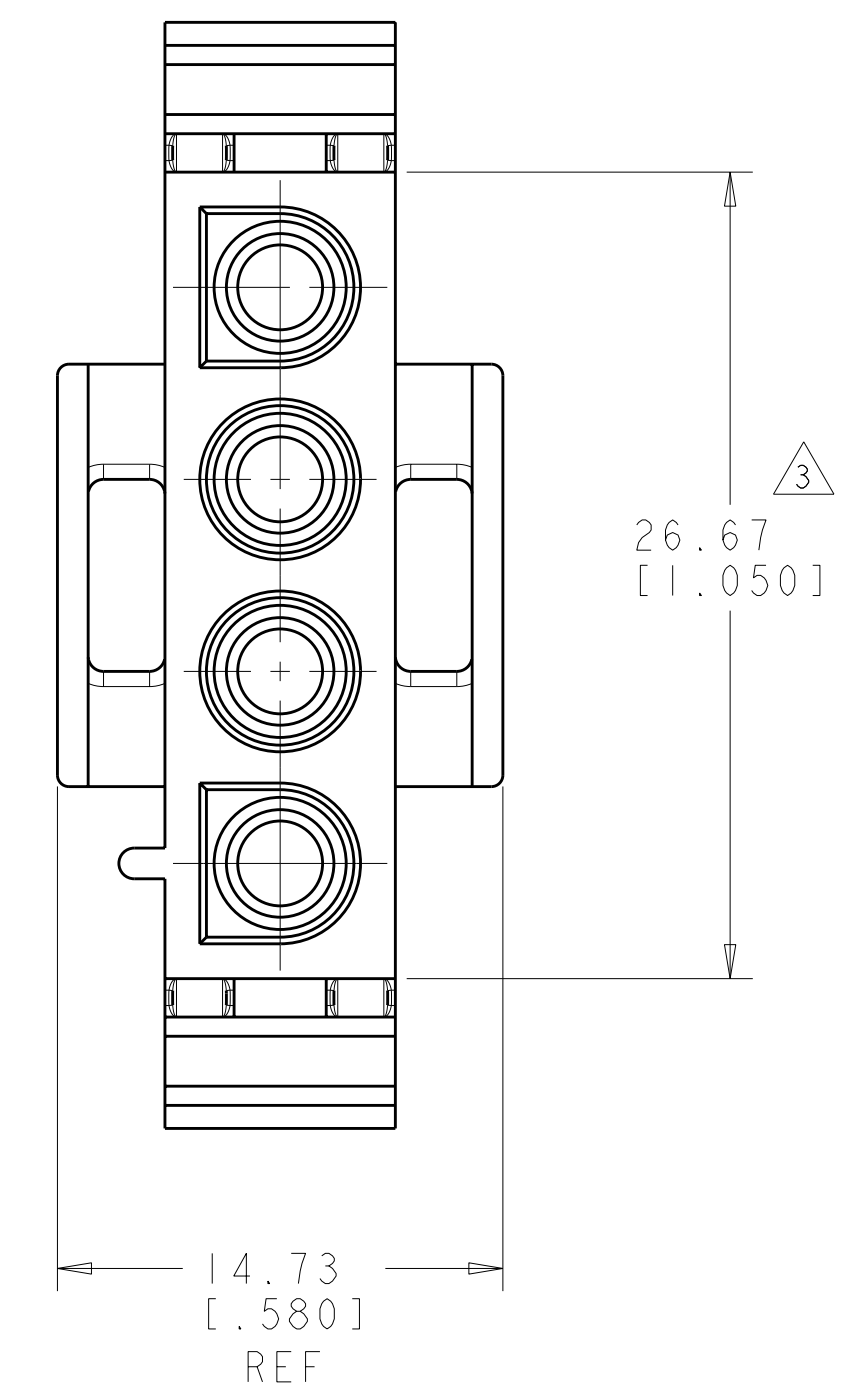
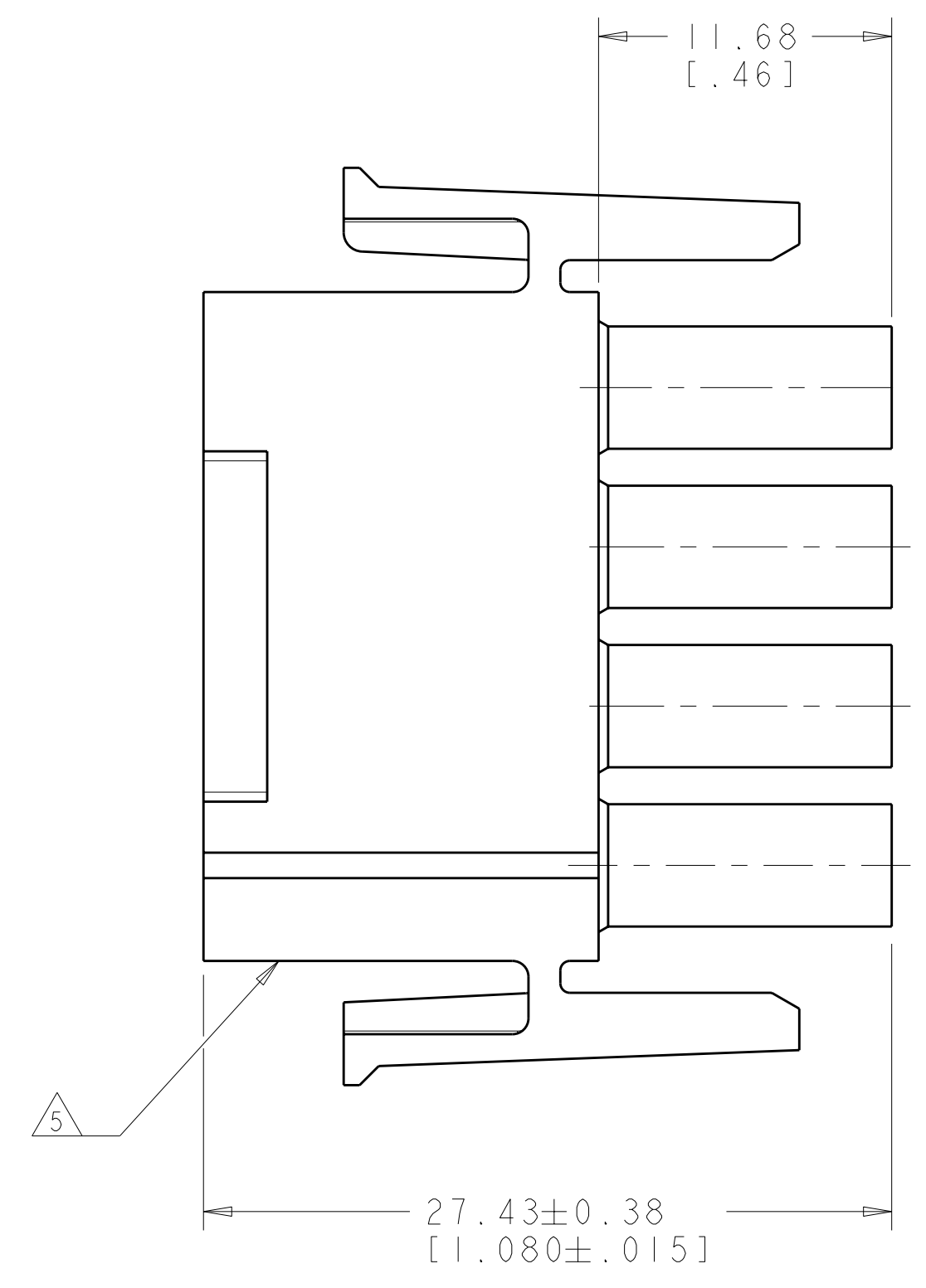
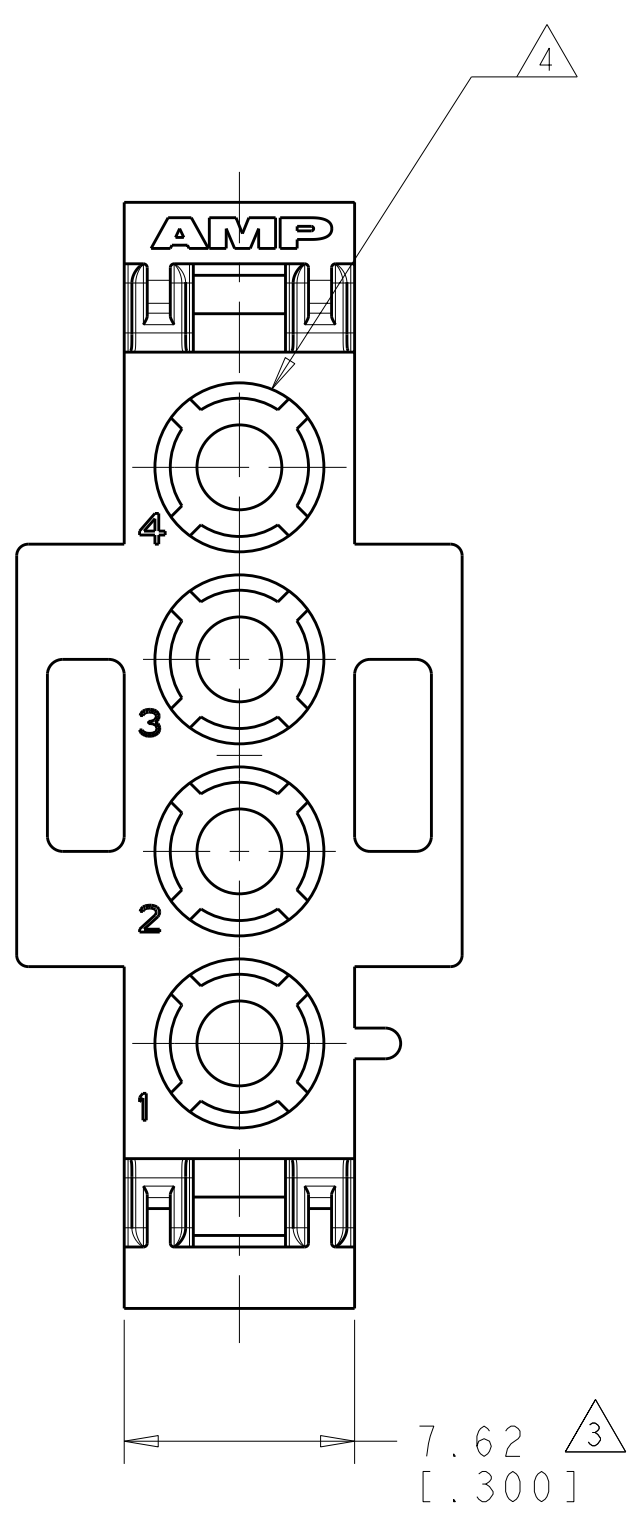


LOC	DIST	REVISIONS			
CM	0	REV	DATE	BY	APPD
		B	13NOV2009	HMR	MS



3-DIMENSIONAL MODEL
SCALE 3:1

1. MATES WITH 1954564-1,
 2. SMALL NICKS ARE PERMITTED ON THE CIRCUIT TOWERS WHICH COULD INCREASE THE INITIAL HOUSING MATING FORCE BY UP TO 4.4 NEWTONS [1.0 LBS]. NO INDIVIDUAL NICKED TOWER SHALL INCREASE THIS FORCE BY OVER 2.2 NEWTONS [0.5 LBS].
- ⚠ DIMENSION INDICATED IS AS MOLDED. ADDITIONAL GROWTH DUE TO SUBSEQUENT MOISTURE ABSORPTION MAY OCCUR.
- ⚠ FOUR RIBS EQUALLY SPACED, NO SPECIFIC ORIENTATION. NO RIBS OR SIX RIBS EQUALLY SPACED, NO SPECIFIC ORIENTATION, OPTIONAL.
- ⚠ UNDERWRITERS RECOGNIZED COMPONENT LOGO AND CSA CERTIFICATION LOGO TO BE LOCATED ONCE EACH ON SIDE OF HOUSING.

27.43	1.080
26.67	1.050
14.73	.580
11.68	.460
7.62	.300
0.38	.015
0.13	.005
MM	IN
CONVERSION TABLE	

NATURAL	1954563-1
COLOR	PART NO.

<small>THIS DRAWING IS UNPUBLISHED. RELEASED FOR PUBLICATION BY TYCO ELECTRONICS CORPORATION. ALL RIGHTS RESERVED. THIS IS SUBJECT TO CHANGE WITHOUT NOTICE. FOR THE LATEST REVISIONS, CONTACT YOUR LOCAL TYCO ELECTRONICS SALES OFFICE OR VISIT OUR WEBSITE AT WWW.TYCOELECTRONICS.COM.</small>		DWN RAGHU 19OCT2006 CHK J. LANDIS 29JAN2007 APVD DON DECKER 11FEB2008	Tyco Electronics Harrisburg, PA 17105-3608
DIMENSIONS: MM [INCH]	TOLERANCES UNLESS OTHERWISE SPECIFIED: 9 PLC ± 1 PLC ± 2 PLC ± 3 PLC ±0.13(.005) 4 PLC ± ANGLES ±°	NAME PLUG, 4 CIRCUIT, RECTANGULAR LIGHT-N-LOK PRODUCT SPEC APPLICATION SPEC SIZE CAGE CODE DRAWING NO A100779C=1954563	RESTRICTED TO CUSTOMER DRAWING
MATERIAL NYLON, UL 94V-0	FINISH	WEIGHT	SCALE 4:1 SHEET 1 OF 1 REV B