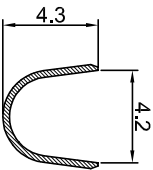


CONTACT ORIENTATION ON ROLL

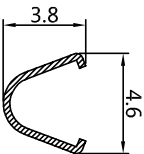
NOTES : (UNLESS OTHERWISE SPECIFIED)

- 1. MATERIAL :
 - 1.1. CONTACT BODY : COPPER ALLOY.
 - 1.2. OUTER SPRING : STAINLESS STEEL.
- 2. SPECIFICATIONS :
 - 2.1 CURRENT RATING : 23A MAX.
 - 2.2 TERMINATION TYPE : CRIMPING.
 - 2.3 WIRE RANGE : 14~12AWG.
 - 2.4 WIRE INSULATION DIA(MAX) : ϕ 4.3mm.
- 3. ROHS COMPLIANT.
- 4. ALL DIMENSIONS ARE FOR REFERENCE USE ONLY.

P/N	CONTACT PLATING(MATING AREA)
SP12A1T	TIN PLATING OVER NICKEL.
SP12A1F	GOLD FLASH PLATING OVER NICKEL.
SP12A1G10	10 μ "GOLD PLATING OVER NICKEL.
SP12A1G15	15 μ "GOLD PLATING OVER NICKEL.
SP12A1G30	30 μ "GOLD PLATING OVER NICKEL.

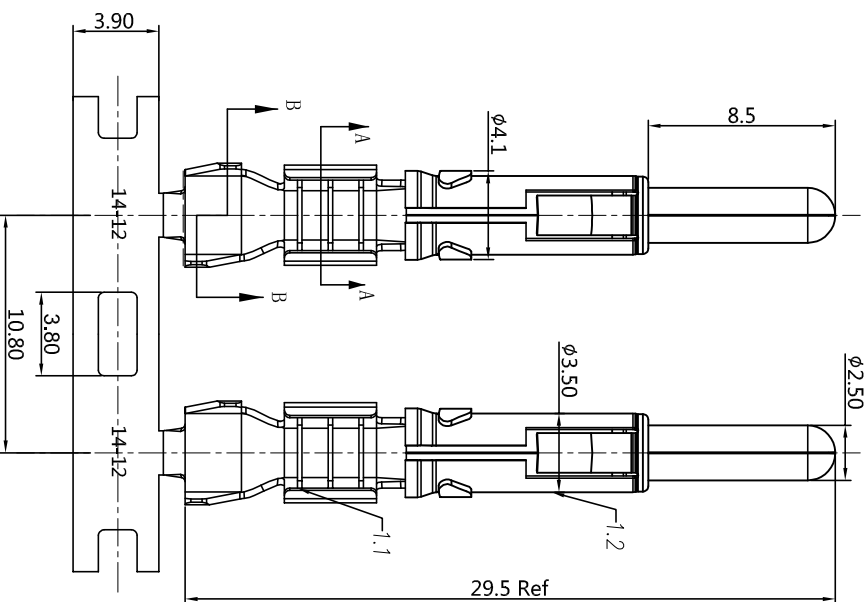


SECTION B-B



SECTION A-A

REVISIONS					
REV	ECO	DESCRIPTION	DATE	BY	APPR
B1	-	RELEASED DRAWING	JAN-18-2014	ARROW	TOMMY
B2	-	UPDATE DRAWING	NOV-09-2016	FLAN	TOMMY



QUANTITY	PART NUMBER	DESCRIPTION	ITEM
		MATERIALS LIST	
UNLESS OTHERWISE SPECIFIED 1) All dimensions are in millimeters. 2) Tolerances are as follows: 1 PL, DEC AD, 30 Fractions .1"=14 3 PL, DEC AD, 08 Angles .1" 3) Note reference = Δ			
PROCESS SPECIFICATIONS: MATERIAL SPECIFICATIONS: CUSTOMER: TOMMY APPROVAL: M0-02/016		THIS DRAWING IS SUPERSEDED BY THE LATEST REVISIONS. SPECIFICATIONS AND PERFORMANCE DATA ARE SUBJECT TO CHANGE WITHOUT NOTICE. THE MATERIAL CORPORATION NO RIGHTS OF REPRODUCTION ARE GRANTED. ALL MANUFACTURING VARIATIONS.	
NEXT ASSY:		SCALE: NONE	
SIGNATURES DATE DRAWN: FLN M0-02/016 CHECKED: TDD M0-02/016 ENGINEER: TOMMY APPROVAL: M0-02/016		SIZE: B TYPE: C- DWG NO: SP12A1XX SHEET: 1 OF 1	
Amphenol Site Systems - www.amphenol-site.com 44724 Morley Drive Clinton Township, MI 48036 ECO-MATE PIN CONTACT, STAMPED, 14-12AWG, 2.5mm CONTACT			