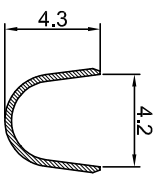


CONTACT ORIENTATION ON ROLL

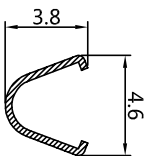
NOTES : (UNLESS OTHERWISE SPECIFIED)

- 1. MATERIAL :
  - 1.1. CONTACT BODY : COPPER ALLOY.
  - 1.2. OUTER SPRING : STAINLESS STEEL.
- 2. SPECIFICATIONS :
  - 2.1 CURRENT RATING : 23A MAX.
  - 2.2 TERMINATION TYPE : CRIMPING.
  - 2.3 WIRE RANGE : 14~12AWG.
  - 2.4 WIRE INSULATION DIA(MAX) :  $\phi$ 4.3mm.
- 3. ROHS COMPLIANT.
- 4. ALL DIMENSIONS ARE FOR REFERENCE USE ONLY.

P/N	CONTACT PLATING(MATING AREA)
SP12A1T	TIN PLATING OVER NICKEL.
SP12A1F	GOLD FLASH PLATING OVER NICKEL.
SP12A1G10	10 $\mu$ "GOLD PLATING OVER NICKEL.
SP12A1G15	15 $\mu$ "GOLD PLATING OVER NICKEL.
SP12A1G30	30 $\mu$ "GOLD PLATING OVER NICKEL.

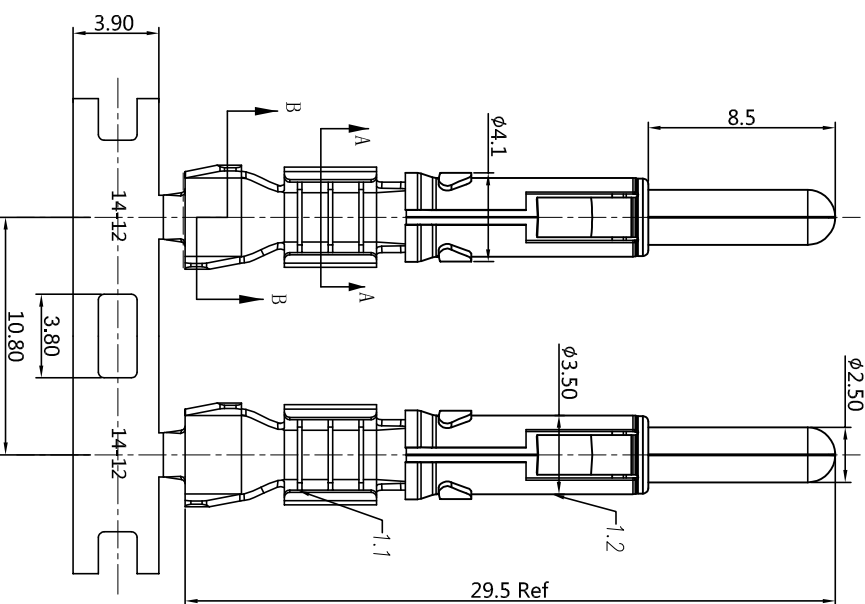


SECTION B-B



SECTION A-A

REVISIONS					
REV	ECO	DESCRIPTION	DATE	BY	APPR
B1	-	RELEASED DRAWING	JAN-18-2014	ARROW	TOMMY
B2	-	UPDATE DRAWING	NOV-09-2016	FLAN	TOMMY



QUANTITY	PART NUMBER	DESCRIPTION	ITEM
		<b>MATERIALS LIST</b>	

UNLESS OTHERWISE SPECIFIED		SIGNATURES		DATE	
1) All dimensions are in millimeters.					
2) Tolerances are as follows:					
1 PL, DEC 20.30	FRACTIONS	±1/64	DRYAN	FLAN	NOV-09-2016
3 PL, DEC 20.08	ANGLES	±1°	CHENBERG	TOO	NOV-09-2016
3) Note reference = $\Delta$					
MATERIAL SPECIFICATIONS:		APPROVAL:		CUSTOMER:	
		TOMMY		TOMMY	
PROCESS SPECIFICATIONS:		THIS DRAWING IS SUPERSEDED BY:		SPECIFICATIONS AND PERFORMANCE DATA	
		THE MANUFACTURING DEPARTMENT HAS REVIEWED THIS DRAWING FOR CONFORMANCE WITH THE MANUFACTURING AND PERFORMANCE DATA OF REPRODUCTION AND LITERALS. ALL MANUFACTURING VARIATIONS		SCALE: NONE	
NEXT ASSY:		ECO-MATE PIN CONTACT		STAMPED, 14-12AWG, 2.5mm CONTACT	

**Amphenol**

Site Systems - [www.amphenol-sine.com](http://www.amphenol-sine.com)  
44724 Morley Drive  
Clinton Township, MI 48036

ECO-MATE PIN CONTACT,  
STAMPED, 14-12AWG, 2.5mm CONTACT

SIZE: B  
TYPE: C-  
DRAWING NO: SP12A1XX  
REVISION: B2

SCALE: NONE

SHEET 1 OF 1