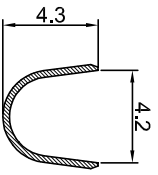


CONTACT ORIENTATION ON ROLL

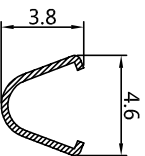
NOTES : (UNLESS OTHERWISE SPECIFIED)

1. MATERIAL :
 - 1.1. CONTACT BODY : COPPER ALLOY.
 - 1.2. OUTER SPRING : STAINLESS STEEL.
2. SPECIFICATIONS :
 - 2.1 CURRENT RATING : 23A MAX.
 - 2.2 TERMINATION TYPE : CRIMPING.
 - 2.3 WIRE RANGE : 14~12AWG.
 - 2.4 WIRE INSULATION DIA(MAX) : ϕ 4.3mm.
3. ROHS COMPLIANT.
4. ALL DIMENSIONS ARE FOR REFERENCE USE ONLY.

| | |
|-----------|-------------------------------------|
| P/N | CONTACT PLATING(MATING AREA) |
| SP12A1T | TIN PLATING OVER NICKEL. |
| SP12A1F | GOLD FLASH PLATING OVER NICKEL. |
| SP12A1G10 | 10 μ "GOLD PLATING OVER NICKEL. |
| SP12A1G15 | 15 μ "GOLD PLATING OVER NICKEL. |
| SP12A1G30 | 30 μ "GOLD PLATING OVER NICKEL. |

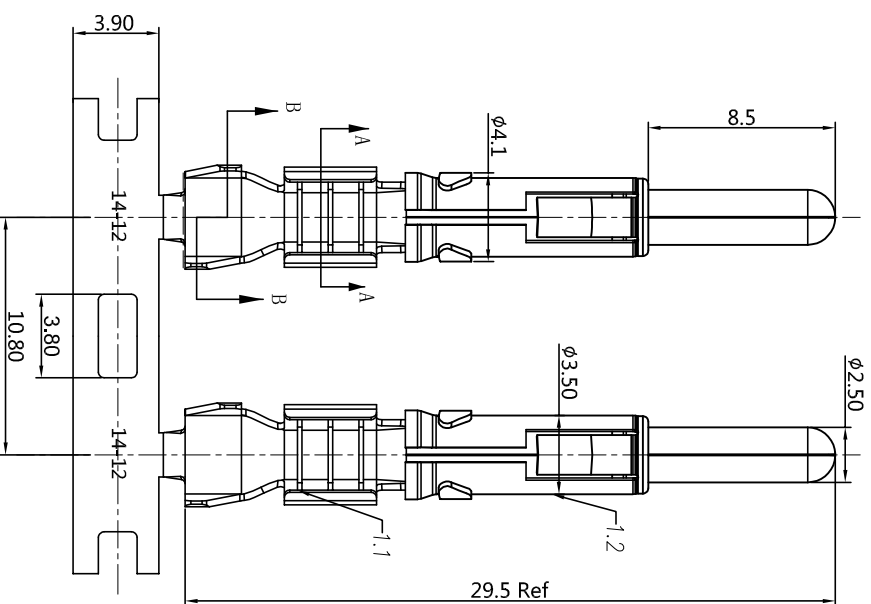


SECTION B-B



SECTION A-A

| REVISITONS | | | | | |
|------------|-----|------------------|-------------|-------|-------|
| REV | ECO | DESCRIPTION | DATE | BY | APPR |
| B1 | - | RELEASED DRAWING | JAN-18-2014 | ARROW | TOMMY |
| B2 | - | UPDATE DRAWING | NOV-09-2016 | FLAN | TOMMY |



| QUANTITY | PART NUMBER | DESCRIPTION | ITEM |
|----------|-------------|-----------------------|------|
| | | MATERIALS LIST | |

| UNLESS OTHERWISE SPECIFIED | | DATE | |
|---------------------------------------|-----------------|-------------|--|
| 1) All dimensions are in millimeters. | DRAWN: FAN | NOV-09-2016 | |
| 2) Tolerances are as follows: | ENGINEER: TDD | NOV-09-2016 | |
| 1 PL DEC 20-09 Fractions 1/16" | APPROVAL: TOMMY | NOV-09-2016 | |
| 3 PL DEC 20-09 Angles 1° | CUSTOMER: TOWMY | | |
| 3) Note reference = | | | |

| MATERIAL SPECIFICATIONS: | CUSTOMER: | TEST SPECIFICATIONS: | REVISION: |
|--------------------------|-----------|----------------------|-----------|
| | | | |

| PROCESS SPECIFICATIONS: | SIZE | TYPE | DWG NO. | SCALE | TYPE | SHEET | OF |
|-------------------------|------|------|----------|-------|------|-------|----|
| | B | C- | SP12A1XX | NONE | | 1 | 1 |

Amphenol
 Site Systems - www.amphenol-site.com
 44724 Morley Drive
 Clinton Township, MI 48036

ECO-MATE PIN CONTACT,
 STAMPED, 14-12AWG, 2.5mm CONTACT