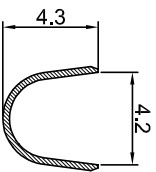


CONTACT ORIENTATION ON ROLL

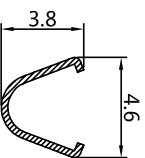
NOTES : (UNLESS OTHERWISE SPECIFIED)

- 1. MATERIAL :
  - 1.1. CONTACT BODY : COPPER ALLOY.
  - 1.2. OUTER SPRING : STAINLESS STEEL.
- 2. SPECIFICATIONS :
  - 2.1 CURRENT RATING : 23A MAX.
  - 2.2 TERMINATION TYPE : CRIMPING.
  - 2.3 WIRE RANGE : 14~12AWG.
  - 2.4 WIRE INSULATION DIA(MAX) :  $\phi 4.3\text{mm}$ .
- 3. ROHS COMPLIANT.
- 4. ALL DIMENSIONS ARE FOR REFERENCE USE ONLY.

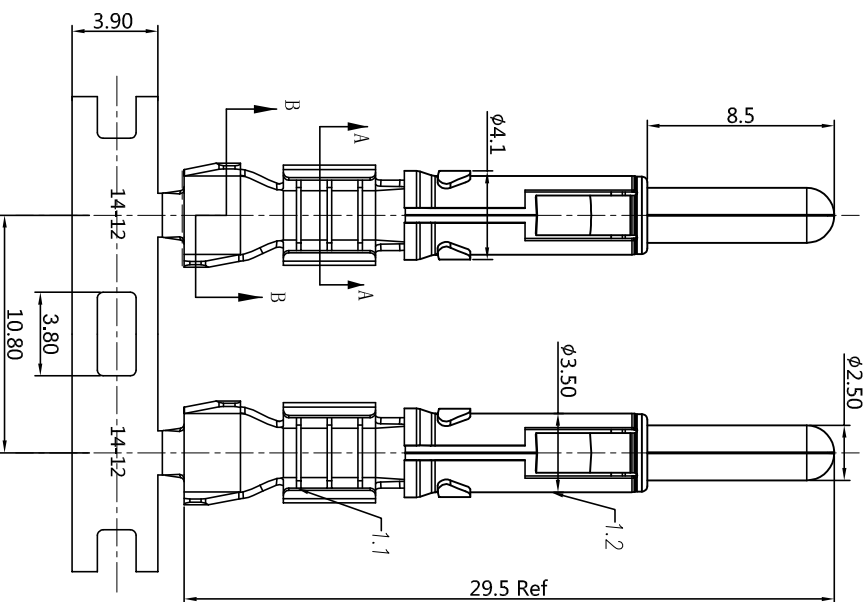
P/N	CONTACT PLATING(MATING AREA)
SP12A1T	TIN PLATING OVER NICKEL.
SP12A1F	GOLD FLASH PLATING OVER NICKEL.
SP12A1G10	10 $\mu$ "GOLD PLATING OVER NICKEL.
SP12A1G15	15 $\mu$ "GOLD PLATING OVER NICKEL.
SP12A1G30	30 $\mu$ "GOLD PLATING OVER NICKEL.



SECTION B-B



SECTION A-A



REVISITONS					
REV	ECO	DESCRIPTION	DATE	BY	APPR
B1	-	RELEASED DRAWING	JAN-18-2014	ARROW	TOMMY
B2	-	UPDATE DRAWING	NOV-09-2016	FLAN	TOMMY

QUANTITY	PART NUMBER	DESCRIPTION	ITEM

# Amphenol

Sine Systems - [www.amphenol-sine.com](http://www.amphenol-sine.com)  
 44724 Morley Drive  
 Clinton Township, MI 48036

UNLESS OTHERWISE SPECIFIED		MATERIAL SPECIFICATIONS	
1) All dimensions are in millimeters.	1) P. DEC 20 09	2) Tolerances are as follows:	2) Note reference = $\Delta$
2) Fractions: 1/16"	3) P. DEC 20 09	3) Note reference = $\Delta$	
3) Note reference = $\Delta$			