

PART NAME: KNOB    SCALE: 1:1    DATE: 7/15/85    DR. BY HD

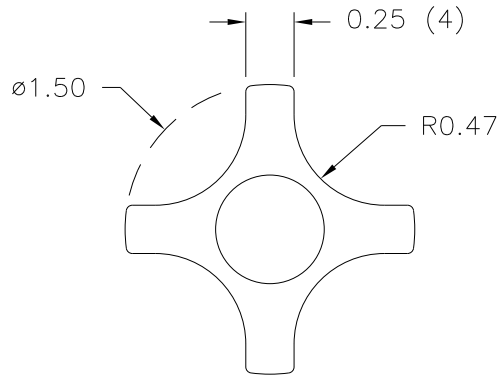
THIS DRAWING IS THE PROPERTY OF DAVIES MOLDING COMPANY, IS SUBMITTED SOLELY AS A DESIGN OR ENGINEERING PROJECT. WE ACCEPT NO RESPONSIBILITY WHATSOEVER FOR THE PRACTICAL APPLICATION OF THE PIECES MADE TO THIS DESIGN.



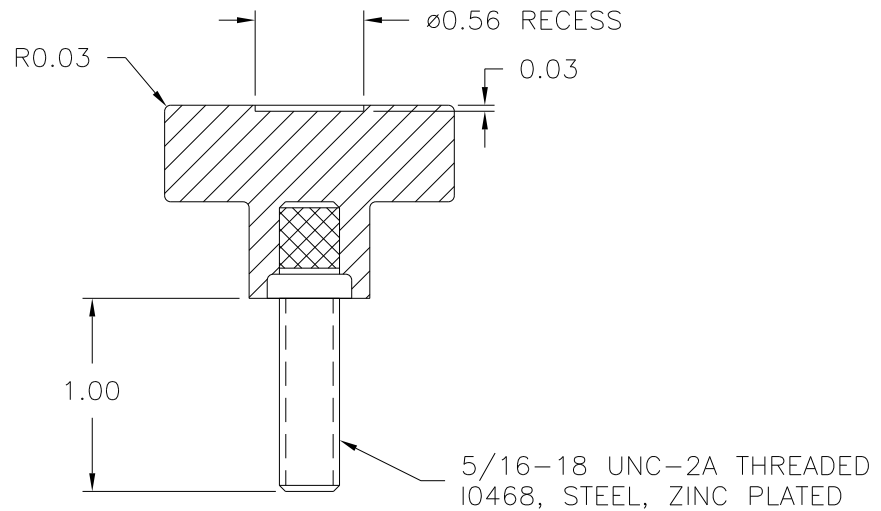
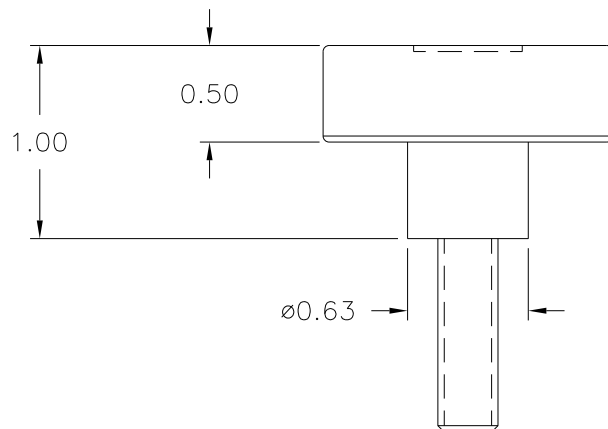
DESIGNERS & MANUFACTURERS OF KNOBS, HANDLES, CASES & CUSTOM PLASTIC COMPONENTS

P/N 2820-G

M <sup>NO</sup>	3035
CAVITY	2820
PLUNGER	2820
PIN	3008-25
PIN BAR SHIM	0.93
INSERT	I0468
CAVITY KEY	1/4x1/4x3/4
PLUNGER KEY	1/4x1/4x5/8



(A) (B)



MATERIAL: #4311 PLENCO PHENOLIC (B41)  
COLOR: BLACK

TOLERANCES: UNLESS OTHERWISE SPECIFIED	DO NOT SCALE DRAWING	B	WAS 0.125	JAM	1/31/06
		-	RE-DID REDRAW	TL	11/19/99
DECIMALS: X.XXX ± .005 X.XX ± .015	MM: X.XX ± 0.15MM X.X ± 0.4MM	A	WAS .093	TS	9/24/98
		-	CAD REDRAW	HD	4/14/93
FRACTIONS ± 1/64	ANG. ± 1°	CHANGES			