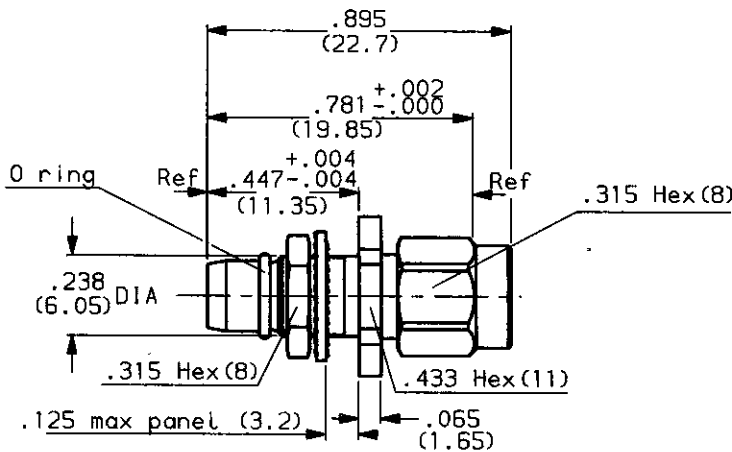
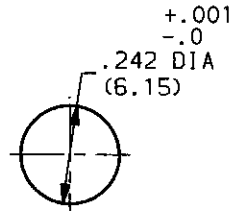


ADAPTER BMA PLUG - SMA PLUG
BULKHEAD MOUNT



MOUNTING HOLE



2.5

WEIGHT 0 oz (..... g)

CABLES : -

CHARACTERISTICS

| | | | |
|---------------------------------|------------------------------|----------------------------|--------------------------|
| NOMINAL IMPEDANCE | 50 Ω | STANDARDISATION | - |
| FREQUENCY RANGE | 0 - 18 GHz | | - |
| TEMPERATURE RATING | -65 / +125 °C | | - |
| VSWR | 1.05+ .005fGHz Max | | - |
| RF INSERTION LOSS | - dB Max | CABLE RETENTION | 0 Lb Max NA N Max |
| VOLTAGE RATING | 350 Vrms | CENTER CONTACT RETENTION | |
| DIELECTRIC WITHSTANDING VOLTAGE | 1000 Vrms | Axial force - mating end | 6.075 Lb Max 27 N Max |
| INSULATION RESISTANCE | 5000 M Ω | Axial force - opposite end | 6.075 Lb Max 27 N Max |
| HERMETIC SEAL | - cc/s cm ³ /s | Torque (Max) | - inch.oz cm.N |
| LEAKAGE (pressurized only) | - psi kg/cm ² | MATING TORQUE RECOMMENDED | - inch. Lb cm.N |
| - | - | | - |
| - | - | | - |

CONSTRUCTION

| CONNECTOR PARTS | MATERIALS | FINISH |
|-----------------|-----------------|------------------|
| Body | Stainless steel | Passivated |
| Outer contact | Stainless steel | Passivated |
| Center contact | Brass | Gold over nickel |
| Insulators | PTFE | - |
| - | - | - |
| - | - | - |
| - | - | - |
| - | - | - |
| - | - | - |

| ISSUE | REVISION No | DESCRIPTION | BY | DATE |
|-------|-------------|-------------|----|------|
| . | . | . | . | . |
| . | . | . | . | . |
| . | . | . | . | . |
| . | . | . | . | . |

Initiated on 18 04 89

The information given here is subject to change without notice. Design changes may be in order to improve the product.



Superseded on