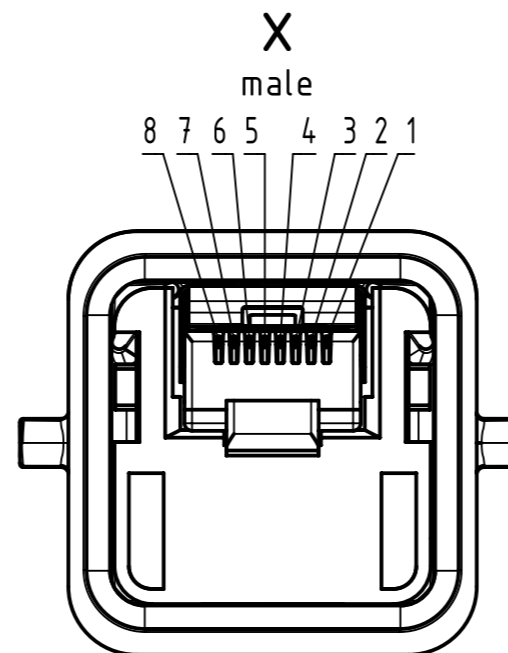
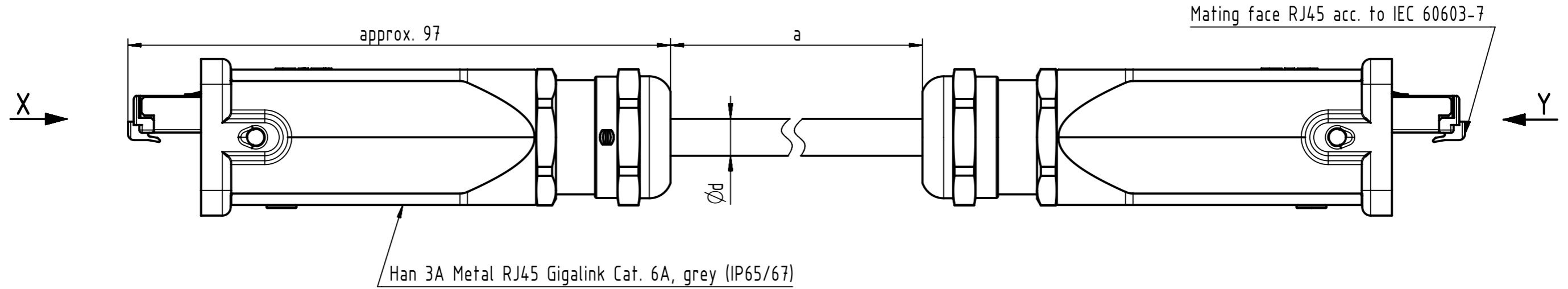
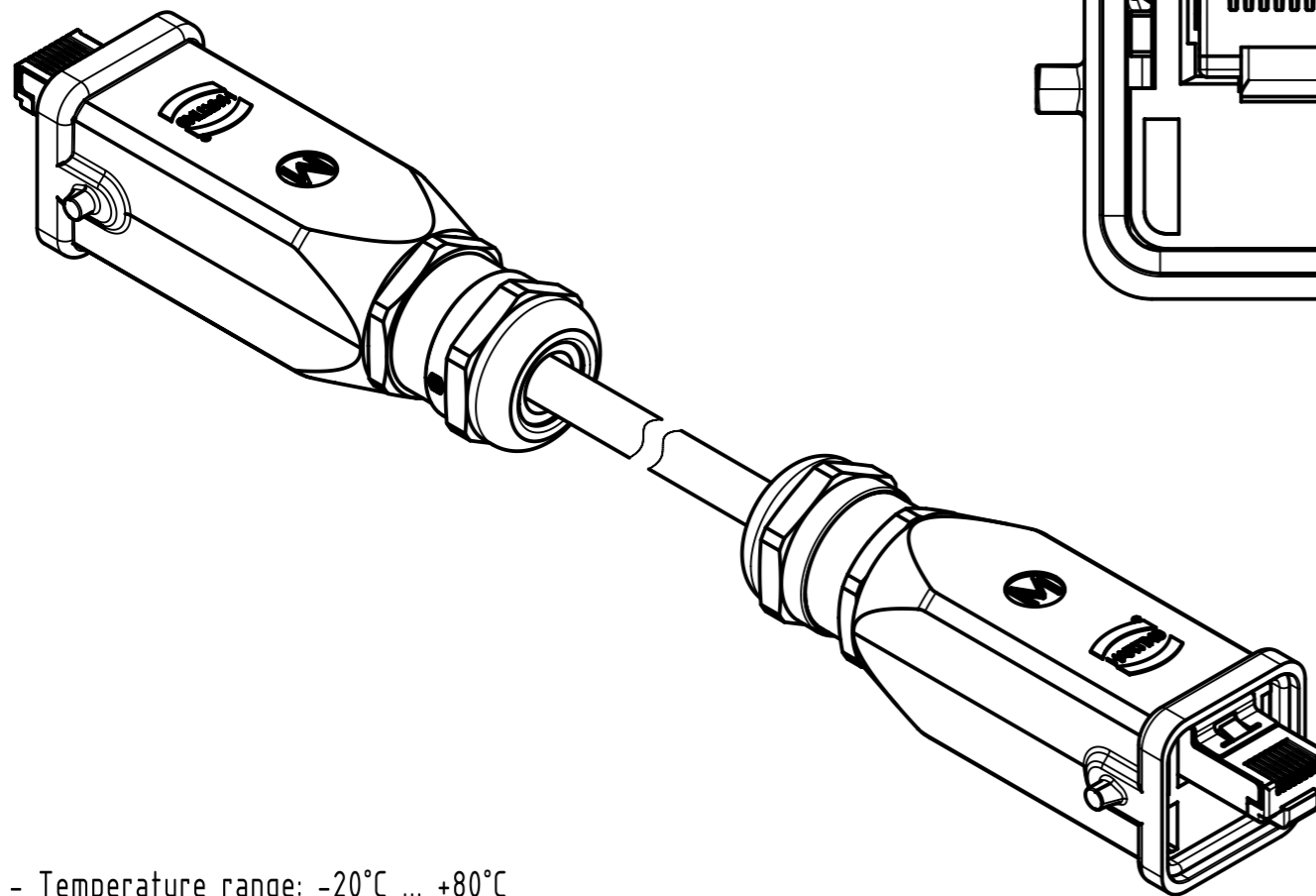
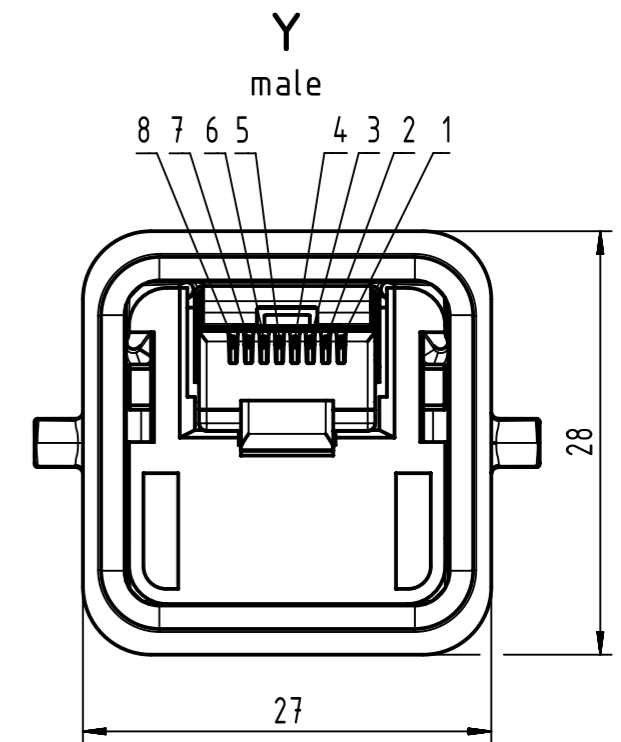
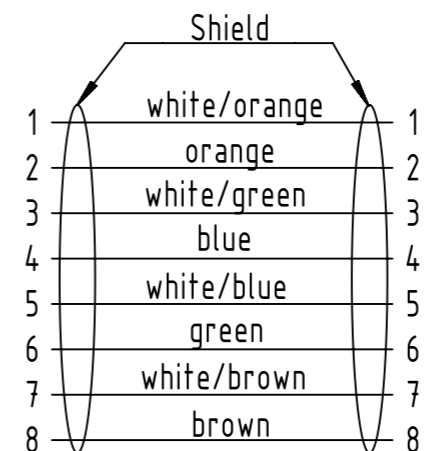


Connector Location A

Connector Location B





Loading-Plan
acc. to TIA/EIA 568B



- Temperature range: -20°C ... +80°C

	All rights reserved	Created by STOCHECIC	Inspected by COSTEA	Standardisation MUNTEANV	Date 2018-04-19	State Final Release	
	Department HCS - RO	Title Han 3A RJ45 Cable Assembly				Doc-Key / ECM-Nr. 100155415/UGD/012/H 500000133904	
HARTING Customised Solutions D-32339 Espelkamp		Type TB	Number 094571515XX			Rev. H	Page 1/2

1	2	3	4	5	6	7	8
A	36	09457151578	RJI Ethernet stranded cable, AWG 26/7, 4x2x0.5/1.0, Cat. 6A, PUR, yellow	Ø6.7	100		
	35	09457151577			40		
	34	09457151576			30		
	33	09457151575			25		
	32	09457151574			20		
	31	09457151573			15		
	30	09457151572			10		
B	29	09457151571			9		
	28	09457151570			8		
	27	09457151569			7		
	26	09457151568			6		
	25	09457151567			5		
	24	09457151566			4		
	23	09457151565			3		
C	22	09457151564			2		
	21	09457151563			1.5		
	20	09457151562			1		
	19	09457151561			0.5		
D	18	09457151553			RJI Ethernet stranded cable, AWG 26/7, 4x2x0.5/1.0, Cat. 6A, PVC, yellow		
	17	09457151552	15				
	16	09457151551	10				
	15	09457151532	30				
	14	09457151531	9				
	13	09457151530	8				
	12	09457151529	7				
	11	09457151528	6				
	10	09457151527	5				
	9	09457151535	4.4				
E	8	09457151526	4				
	7	09457151534	3.4				
	6	09457151525	3				
	5	09457151533	2.2				
	4	09457151524	2				
	3	09457151523	1.5				
	2	09457151522	1				
F	1	09457151521	0.5				
	Cont. no.	Part no.	Type of cable	Dim. d [mm]		Dim. a[m]	
	50	09457151594	RJI Ethernet stranded cable, 4x2xAWG 26/7, PVC, outdoor, Cat. 6A, black	Ø6.6	20		
	49	09457151593			15		
	48	09457151592			10		
	47	09457151591			9		
	46	09457151590			8		
	45	09457151589			7		
	44	09457151588			6		
	43	09457151587			5		
	42	09457151586			4		
	41	09457151585			3		
	40	09457151584			2		
	39	09457151583			1.5		
	38	09457151582			1		
	37	09457151581			0.5		
	Cont. no.	Part no.	Type of cable	Dim. d [mm]	Dim. a[m]		
	 All Dimensions in mm		Tech. Character.	Free size tol.		According to production drawing	
	 All rights reserved Department HCS - RO		Created by STOCHECIC	Inspected by COSTEA	Standardisation MUNTEANV	Date 2018-04-19	State Final Release
	HARTING Customised Solutions D-32339 Espelkamp		Title Han 3A RJ45 Cable Assembly		Doc-Key / ECM-Nr. 100155415/UGD/012/H 500000133904		Rev. H
		Type TB	Number 094571515XX			Page 2/2	

Mouser Electronics

Authorized Distributor

Click to View Pricing, Inventory, Delivery & Lifecycle Information:

HARTING:

[09457151523](#) [09457151525](#) [09457151527](#) [09457151551](#) [09457151553](#) [09457151563](#) [09457151565](#)
[09457151567](#) [09457151572](#) [09457151573](#) [09457151574](#) [09457151575](#) [09457151576](#) [09457151532](#) [09457151552](#)