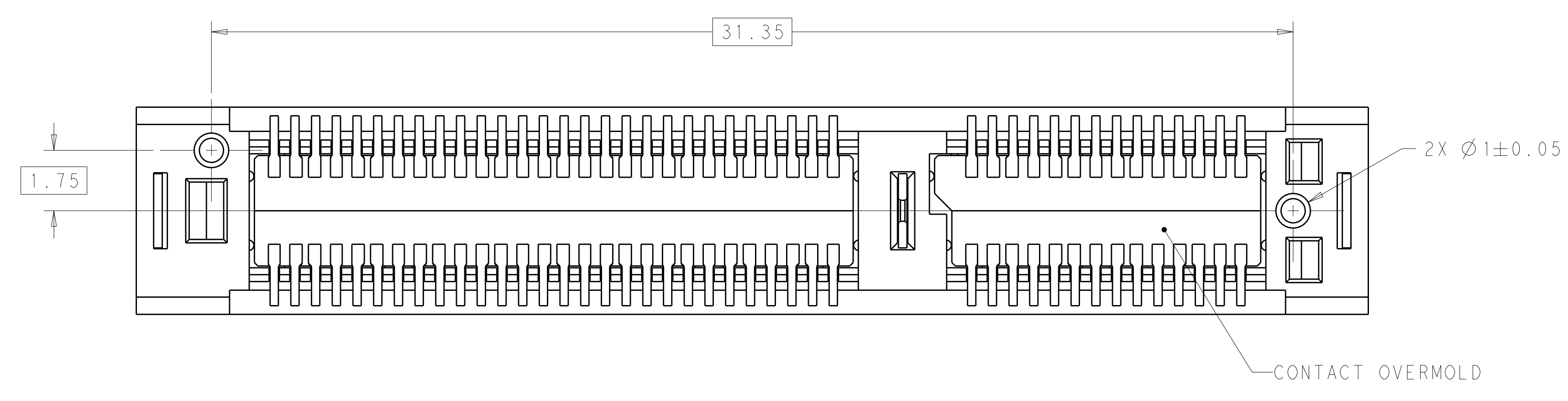
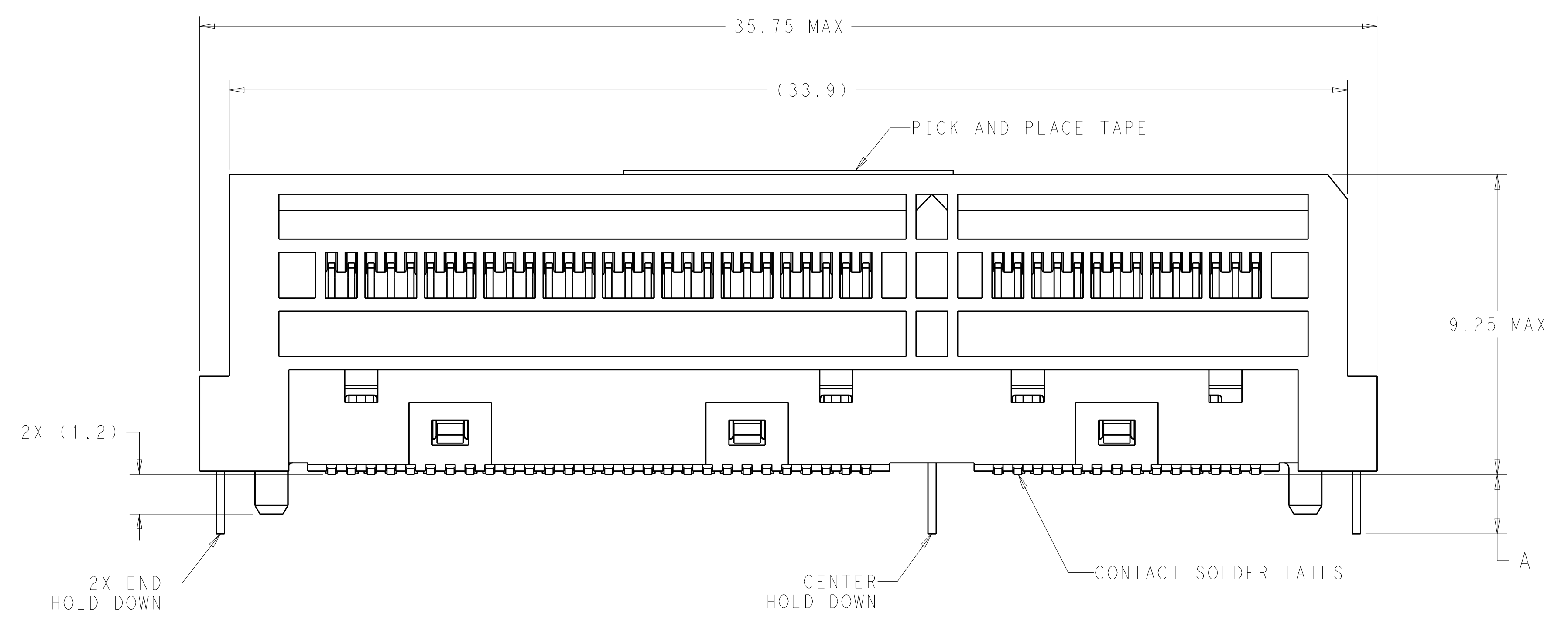
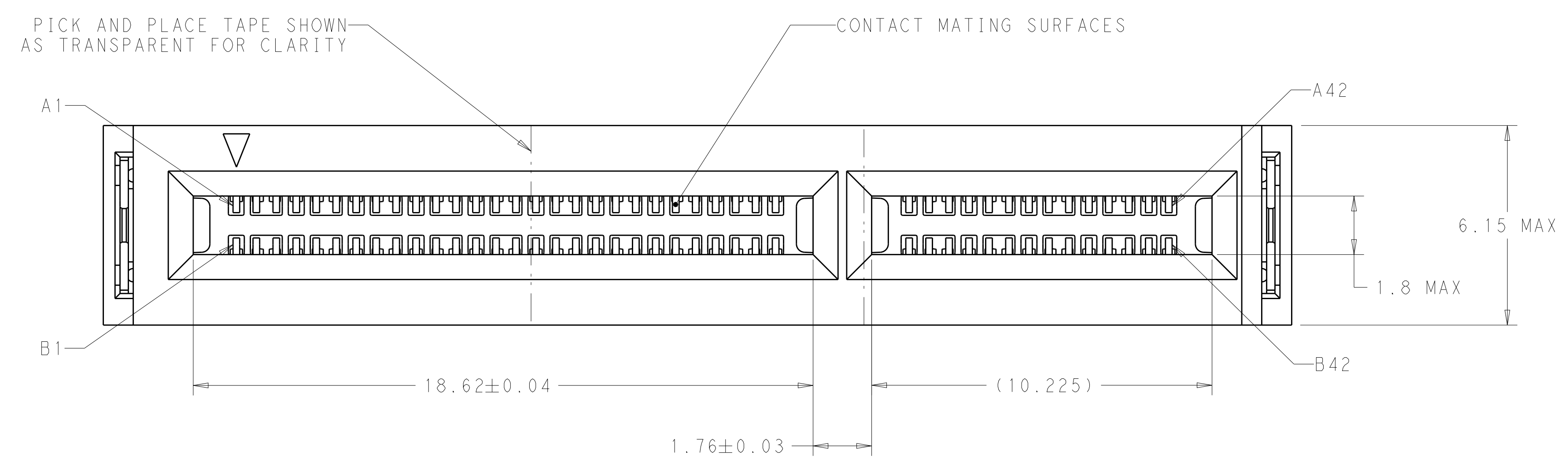
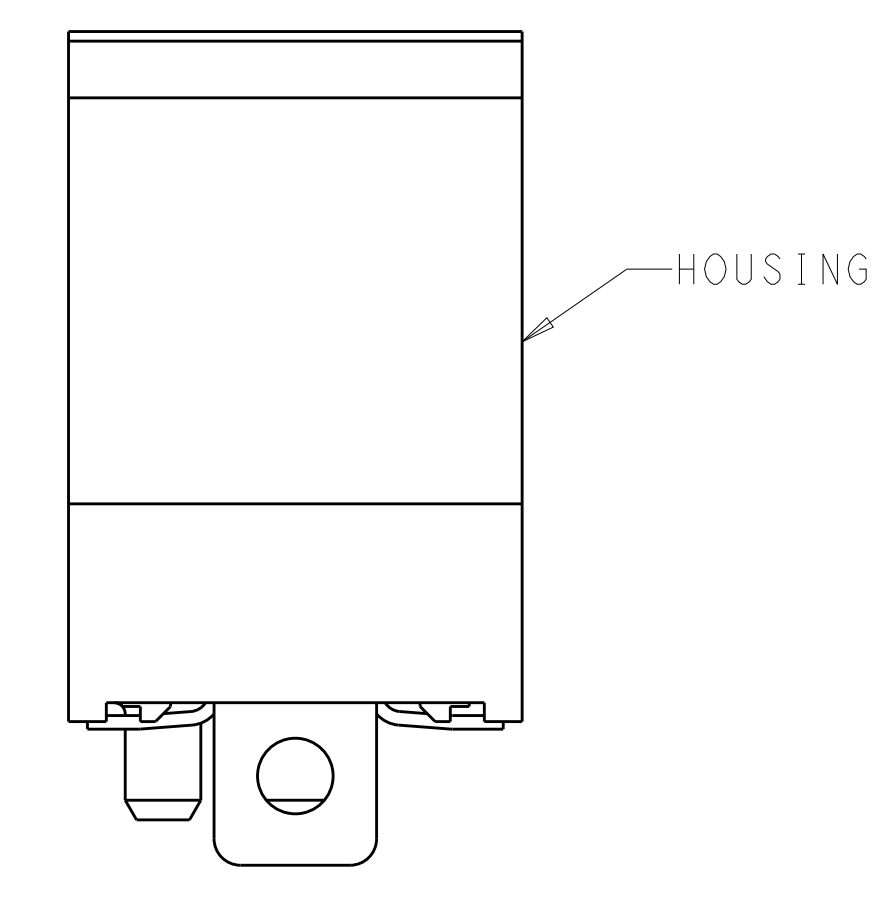


REVISIONS				
P.	LTN	DESCRIPTION	DATE	OWN APVD
5		ADDED REF DIMENSIONS TO PCB LAYOUT	01AUG2018	MS DH
6		ADDED PARTS	26SEP2018	CJV DMH
7		REV SHEET 4 TABLE, ADDED PART NUMBERS	14NOV2018	MS DH
8		REVISED SHEET 4 TABLE, PLATING COLUMN	22FEB2019	MS DH



- ⚠ HOUSING AND CONTACT OVERMOLDS - LCP, UL94-V0, BLACK. CONTACTS AND HOLD DOWNS - COPPER ALLOY. PICK AND PLACE TAPE - POLYIMIDE FILM.
- ⚠ CONTACTS - GOLD PLATE ON MATING SURFACES, TIN PLATE ON SOLDER FEET. HOLD DOWNS - TIN PLATE.
- ⚠ DATUMS AND BASIC DIMENSIONS ESTABLISHED BY CUSTOMER.
- 4. MINIMUM HOST PCB THICKNESS: 1.5.
- ⚠ SEE MSA SPECIFICATION FOR ADDITIONAL PADDLE CARD LAYOUTS COMPATIBLE WITH THIS RECEPTACLE AND FOR OPTIONAL SPLIT CONTACT PAD LAYOUTS FOR THE PADDLE CARD. SPECIFICATION PINOUT MAY ALSO DESIGNATE PAD SEQUENCE DIFFERENT FROM ILLUSTRATION.
- ⚠ POSITIONS DESIGNATED AS "SIGNAL" ARE REQUIRED LOCATIONS FOR HIGH SPEED DIFFERENTIAL PAIR SIGNALING. THESE LOCATIONS MAY ALSO BE USED FOR SUPPORTING SIDEBAND SIGNALS OR OTHER UTILITY PURPOSES. POSITIONS DESIGNATED AS "GROUND" ARE REQUIRED WHEN SUPPORTING HIGH SPEED DIFFERENTIAL SIGNALS. THESE LOCATIONS MAY ALSO BE USED FOR SIDEBAND SIGNALS OR OTHER UTILITY PURPOSES.
- ⚠ COMPONENT AND TRACE KEEP OUT AREA. EACH EDGE 0.15 MIN FROM EDGE OF HOLE.
- ⚠ TAPE AND REEL PACKAGED FOR PICK AND PLACE SMT PROCESSING, SEE FIGURE 1. POCKET TAPE WIDTH = 56.

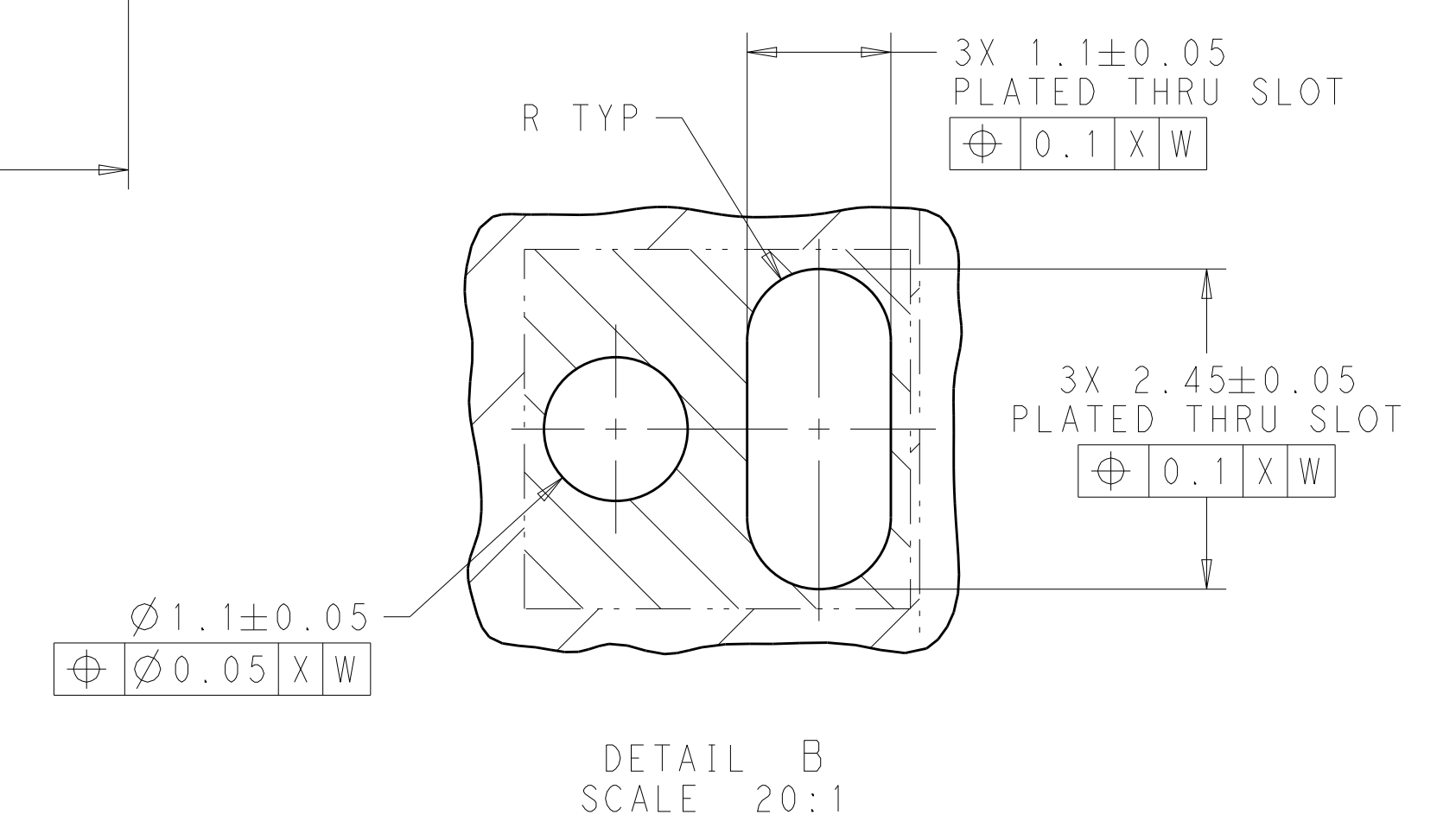
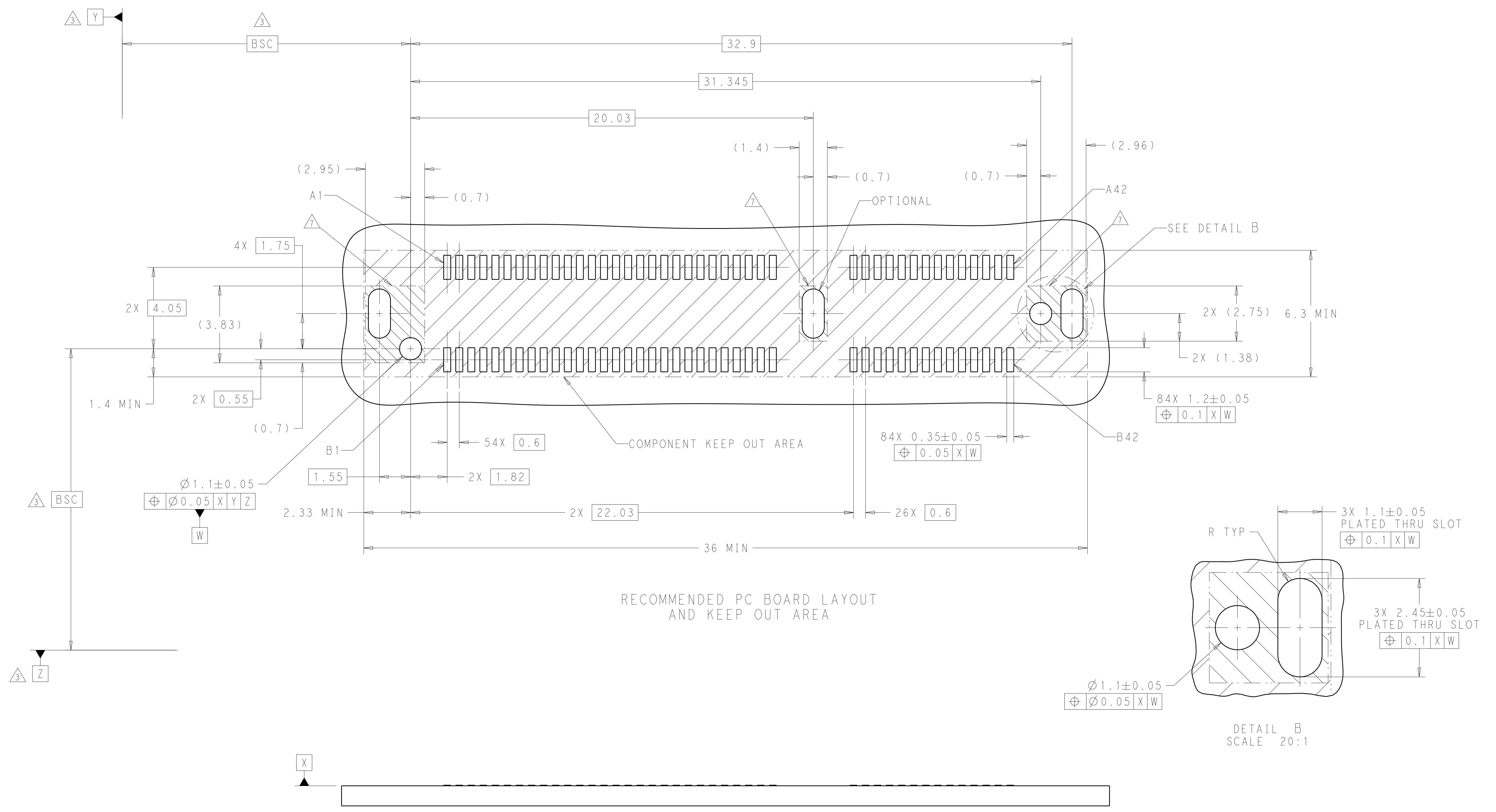


THIS PRINT IS  
**PRELIMINARY**  
 UNQUALIFIED PRODUCT  
 CONTACT PRODUCT ENGINEERING  
 BEFORE USING THIS PRINT

SEE SHEET 4  
 FOR PART TABLE

THIS DRAWING IS A CONTROLLED DOCUMENT.		OWN: C. VALENTINE 16 JAN 2018	
		CHK: D. HARMON 16 JAN 2018	
DIMENSIONS:		APVD: D. HARMON 16 JAN 2018	NAME: RECEPTACLE ASSEMBLY, VERTICAL 84 POSITION, SLIVER 2.0
TOLERANCES UNLESS OTHERWISE SPECIFIED:		PRODUCT SPEC:	
mm	0 PLC ±	108-130021	SIZE: A1
	2 PLC ±	APPLICATION SPEC:	CAGE CODE: -
	3 PLC ±	114-130008	DRAWING NO: C=2327678
	4 PLC ±	WEIGHT: -	RESTRICTED TO: -
	ANGLES ±	CUSTOMER DRAWING	SCALE: 10:1
MATERIAL:	FINISH:		SHEET 1 OF 4
			REV 8

REVISIONS				
P.	LTN	DESCRIPTION	DATE	APVD
-	-	SEE SHEET 1	-	-

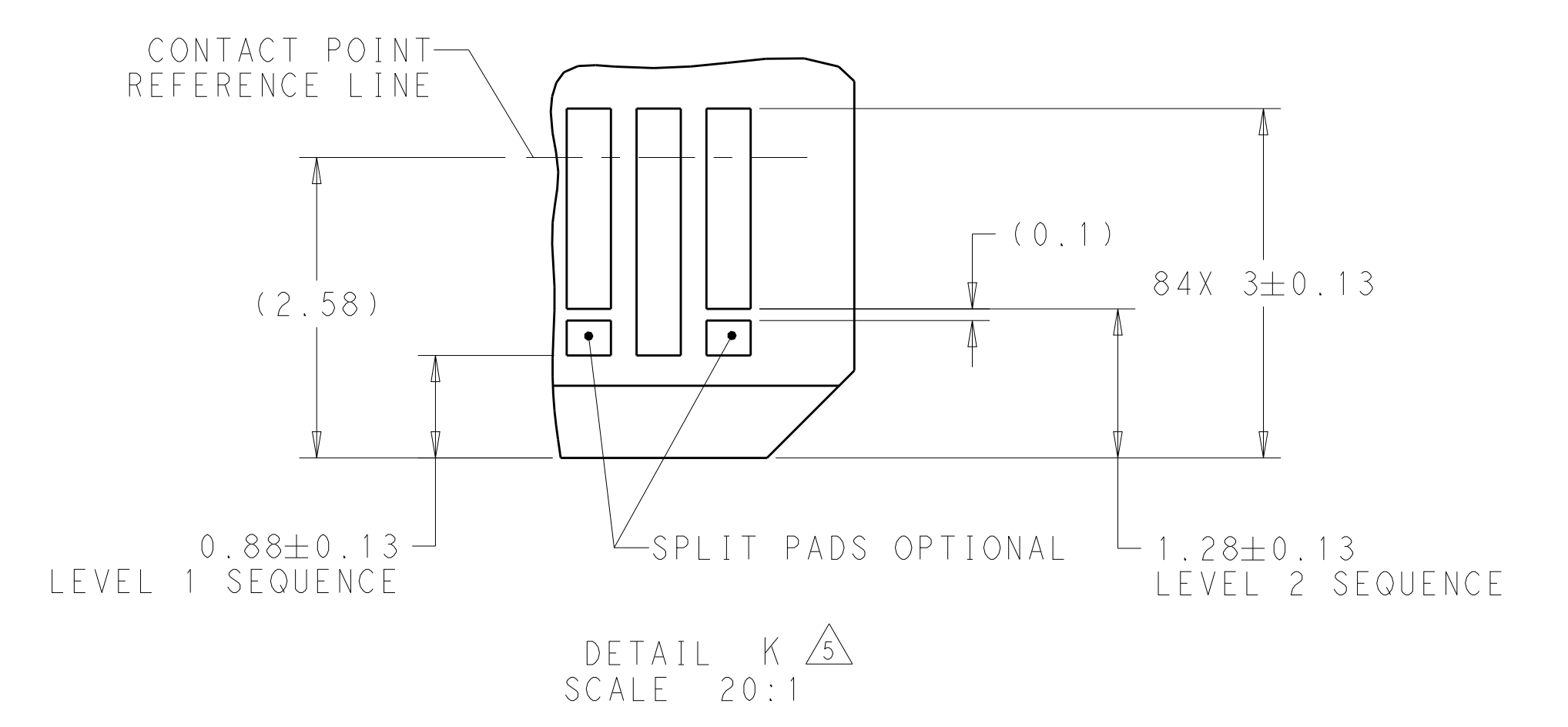
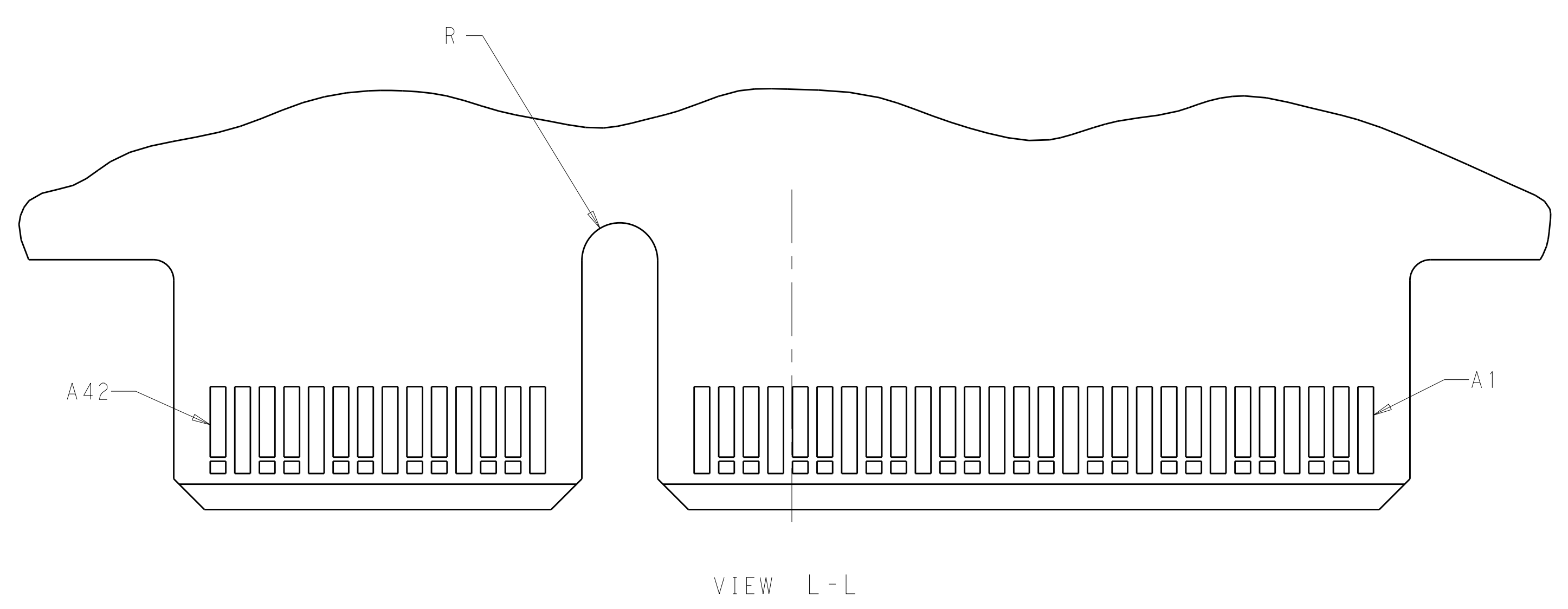
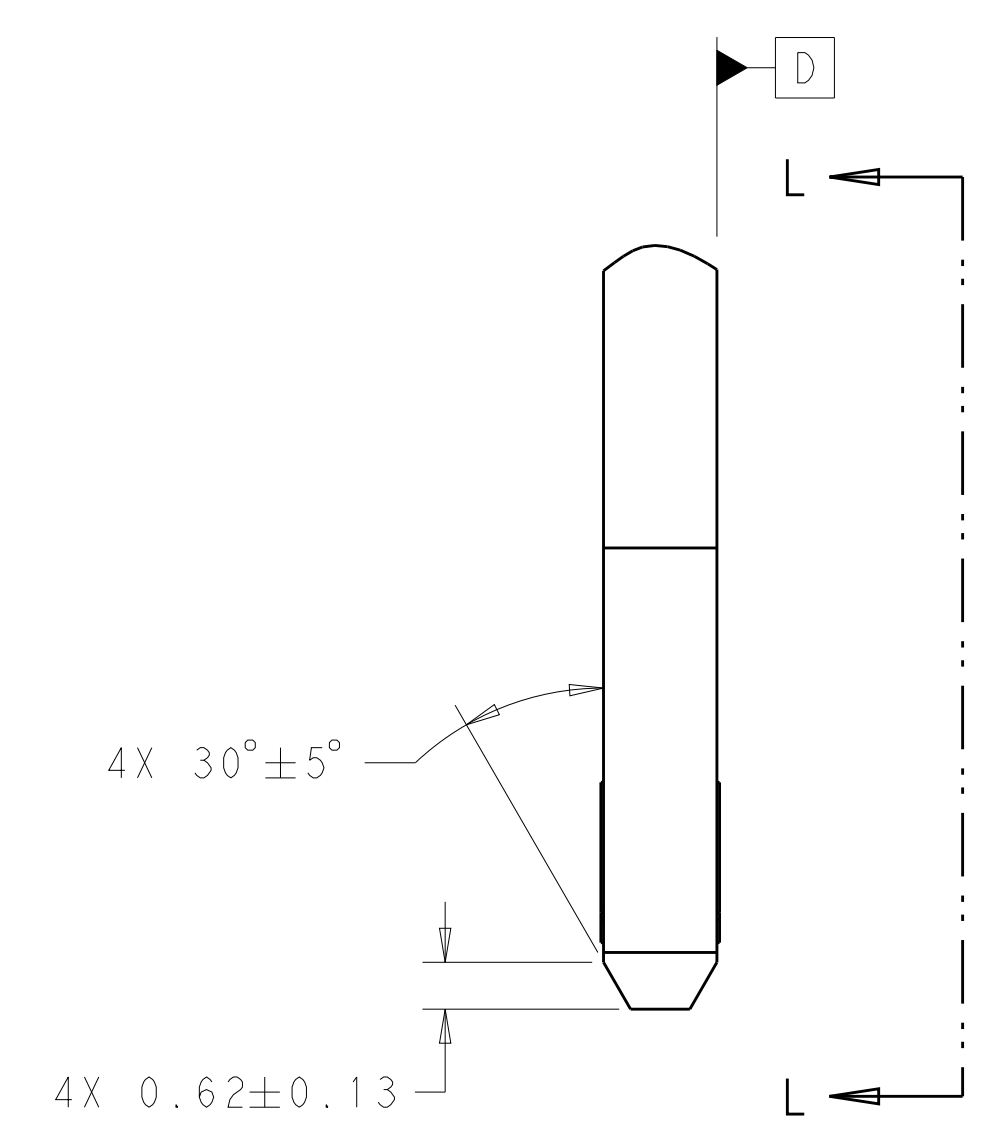
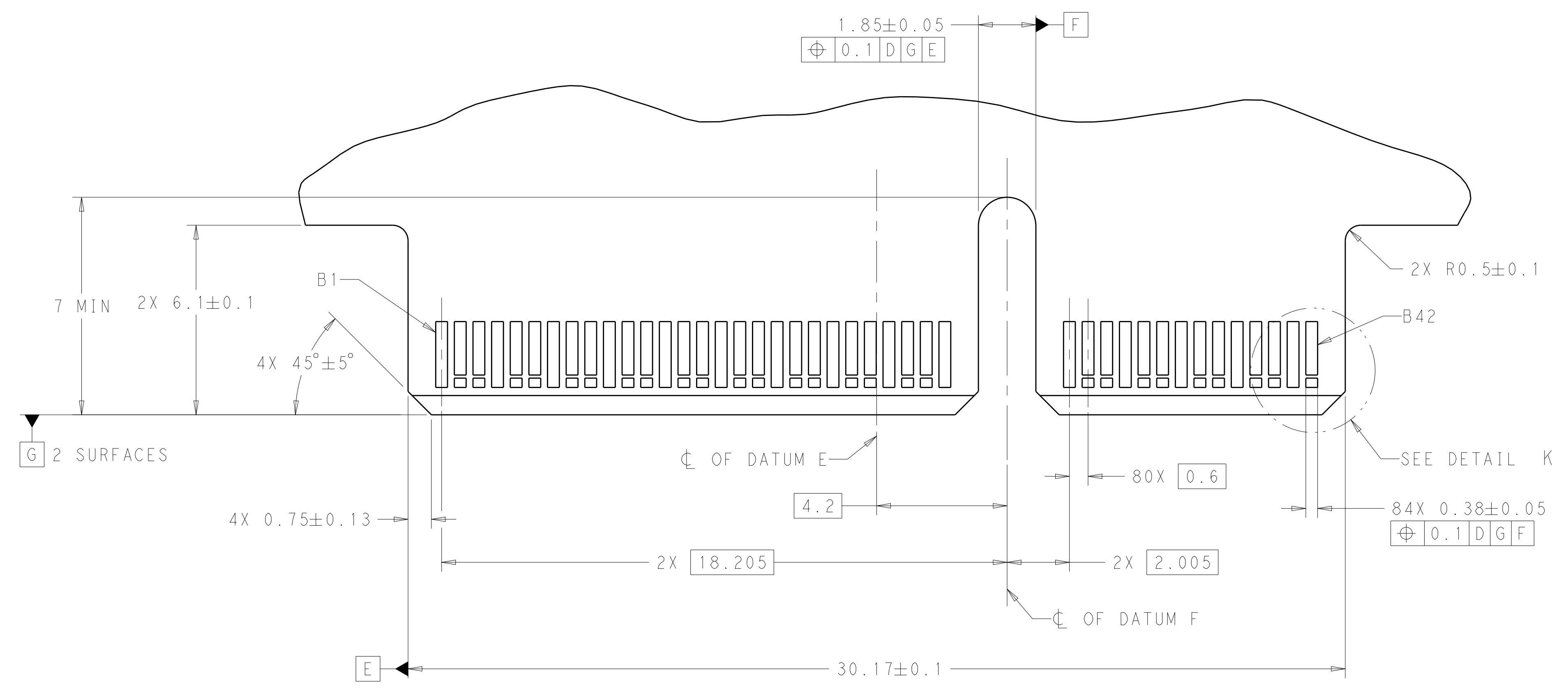


THIS PRINT IS  
**PRELIMINARY**  
 UNQUALIFIED PRODUCT  
 CONTACT PRODUCT ENGINEERING  
 BEFORE USING THIS PRINT

THIS DRAWING IS A CONTROLLED DOCUMENT.		DWN: C. VALENTINE 16 JAN 2018 CHK: D. HARMON 16 JAN 2018 APVD: D. HARMON 16 JAN 2018	TE Connectivity
DIMENSIONS: mm	TOLERANCES UNLESS OTHERWISE SPECIFIED: 0 PLC ± 1 PLC ± 2 PLC ± 3 PLC ± 4 PLC ± ANGLES ± MATERIAL FINISH	NAME: RECEPTACLE ASSEMBLY, VERTICAL, 84 POSITION, SLIVER 2.0 PRODUCT SPEC: 108-130021 APPLICATION SPEC: 114-130008 WEIGHT: - CUSTOMER DRAWING	
SIZE: A1 CAGE CODE: - DRAWING NO: C=2327678		RESTRICTED TO: - SCALE: 10:1 SHEET: 2 OF 4 REV: 8	

REVISIONS				
P.	LTN	DESCRIPTION	DATE	APVD
-	-	SEE SHEET 1	-	-

RECOMMENDED PCB OUTLINE DIMENSIONS.  
TOLERANCE VALUES ARE CRITICAL. PLEASE BE SURE TO DESIGNATE TOLERANCES TO PCB SUPPLIER TO ENSURE OPTIMIZED FUNCTIONALITY.



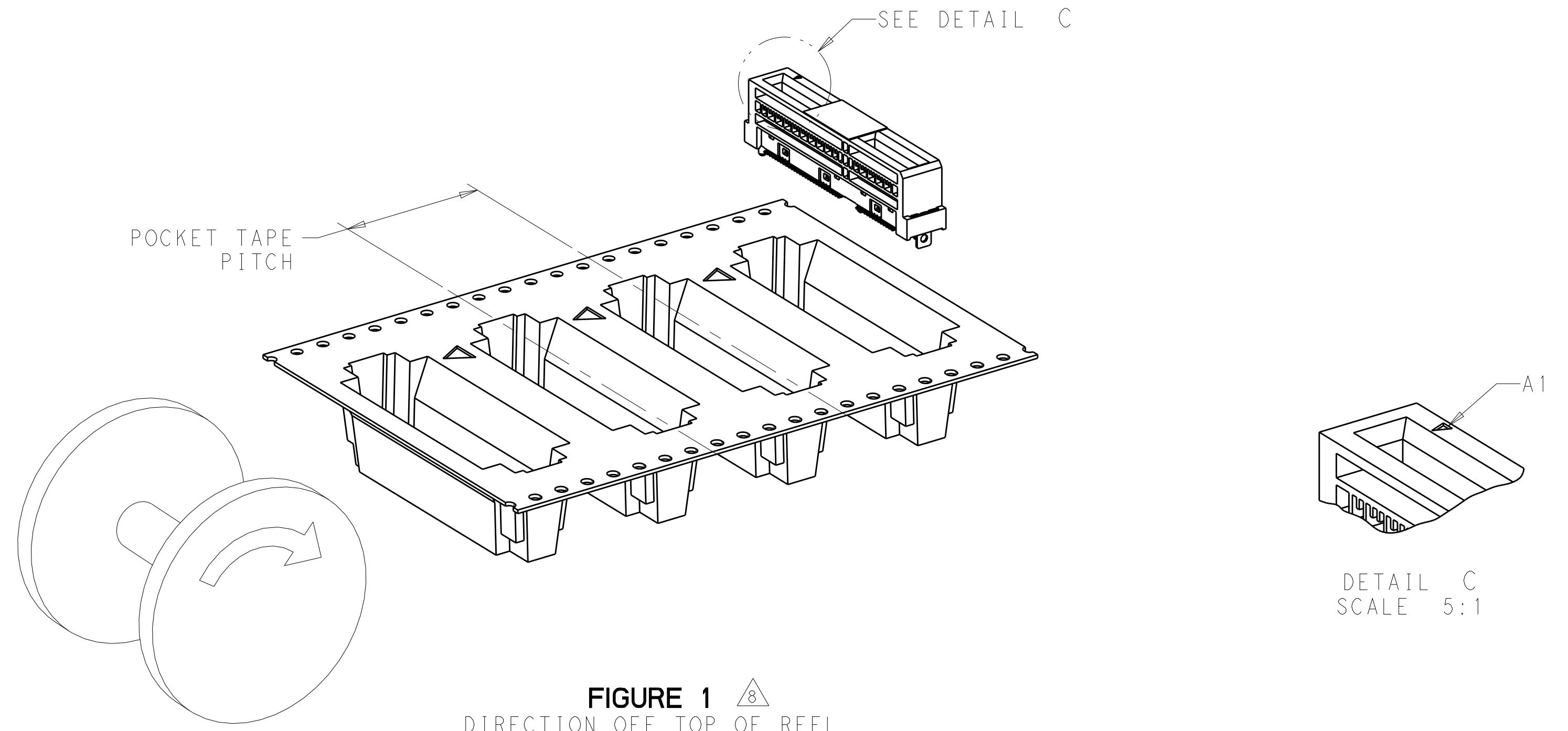
THIS PRINT IS  
**PRELIMINARY**  
UNQUALIFIED PRODUCT  
CONTACT PRODUCT ENGINEERING  
BEFORE USING THIS PRINT


THIS DRAWING IS A CONTROLLED DOCUMENT.		OWN: C. VALENTINE 16 JAN 2018	TE Connectivity
DIMENSIONS: mm		CHK: D. HARMON 16 JAN 2018	
TOLERANCES UNLESS OTHERWISE SPECIFIED:		APVD: D. HARMON 16 JAN 2018	NAME: RECEPTACLE ASSEMBLY, VERTICAL, 84 POSITION, SLIVER 2.0
0 PLC ±	1 PLC ±	PRODUCT SPEC	108-130021
2 PLC ±	3 PLC ±	APPLICATION SPEC	114-130008
4 PLC ±	ANGLES ±	WEIGHT	114-130008
MATERIAL	FINISH	CUSTOMER DRAWING	SCALE 10:1 SHEET 3 OF 4 REV 8

REVISIONS				
P.	LTN	DESCRIPTION	DATE	APVD
-	-	SEE SHEET 1	-	-

TABLE 1: CONNECTOR CONTACT IDENTIFICATION 

CONTACT NUMBER	SIDE A	SIDE B
1	GROUND	GROUND
2	SIGNAL	SIGNAL
3	SIGNAL	SIGNAL
4	GROUND	GROUND
5	SIGNAL	SIGNAL
6	SIGNAL	SIGNAL
7	GROUND	GROUND
8	SIGNAL	SIGNAL
9	SIGNAL	SIGNAL
10	GROUND	GROUND
11	SIGNAL	SIGNAL
12	SIGNAL	SIGNAL
13	GROUND	GROUND
14	SIGNAL	SIGNAL
15	SIGNAL	SIGNAL
16	GROUND	GROUND
17	SIGNAL	SIGNAL
18	SIGNAL	SIGNAL
19	GROUND	GROUND
20	SIGNAL	SIGNAL
21	SIGNAL	SIGNAL
22	GROUND	GROUND
23	SIGNAL	SIGNAL
24	SIGNAL	SIGNAL
25	GROUND	GROUND
26	SIGNAL	SIGNAL
27	SIGNAL	SIGNAL
28	GROUND	GROUND
29	GROUND	GROUND
30	SIGNAL	SIGNAL
31	SIGNAL	SIGNAL
32	GROUND	GROUND
33	SIGNAL	SIGNAL
34	SIGNAL	SIGNAL
35	GROUND	GROUND
36	SIGNAL	SIGNAL
37	SIGNAL	SIGNAL
38	GROUND	GROUND
39	SIGNAL	SIGNAL
40	SIGNAL	SIGNAL
41	GROUND	GROUND
42	GROUND	GROUND



**FIGURE 1**   
 DIRECTION OFF TOP OF REEL  
 FOR USER UNREELING  
 SHOWN AS 2327678-1 THRU 2327678-9  
 SCALE 2:1

1.4 MAX	ENDS	0.76µm Au 0.38µm Au FLASH Au/PdNi	24	250	NO	200 100 50	1-2327678-9 1-2327678-8 1-2327678-7
1.7 MIN	ENDS	0.76µm Au 0.38µm Au FLASH Au/PdNi	24	250	NO	200 100 50	1-2327678-6 1-2327678-5 1-2327678-4
1.7 MIN	ALL	0.76µm Au 0.38µm Au FLASH Au/PdNi	24	250	NO	200 100 50	1-2327678-3 1-2327678-2 1-2327678-1
1.4 MAX	ENDS	0.76µm Au 0.38µm Au FLASH Au/PdNi	20	350	YES	200 100 50	2327678-9 2327678-8 2327678-7
1.7 MIN	ENDS	0.76µm Au 0.38µm Au FLASH Au/PdNi	20	350	YES	200 100 50	2327678-6 2327678-5 2327678-4
1.7 MIN	ALL	0.76µm Au 0.38µm Au FLASH Au/PdNi	20	350	YES	200 100 50	2327678-3 2327678-2 2327678-1
A	HOLD DOWNS	PLATING	POCKET TAPE PITCH	REEL QUANTITY	PICK AND PLACE TAPE	MATING CYCLES	PART NUMBER

THIS PRINT IS  
**PRELIMINARY**  
 UNQUALIFIED PRODUCT  
 CONTACT PRODUCT ENGINEERING  
 BEFORE USING THIS PRINT

THIS DRAWING IS A CONTROLLED DOCUMENT.

DIMENSIONS:	TOLERANCES UNLESS OTHERWISE SPECIFIED:	DATE: 16 JAN 2018	APVD: D. HARMON
mm	0 PLC ± 1 PLC ± 2 PLC ± 3 PLC ± 4 PLC ± ANGLES ±	CHK: C. VALENTINE	DATE: 16 JAN 2018
MATERIAL:	FINISH:	PRODUCT SPEC: 108-130021	APPLICATION SPEC: 114-130008
CUSTOMER DRAWING		SIZE: A1	SCALE: 10:1

TE Connectivity  
 RECEPTACLE ASSEMBLY, VERTICAL, 84 POSITION, SLIVER 2.0  
 SHEET 4 OF 4 REV 8