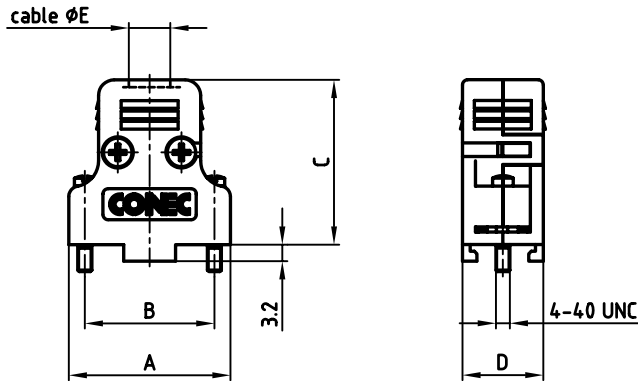
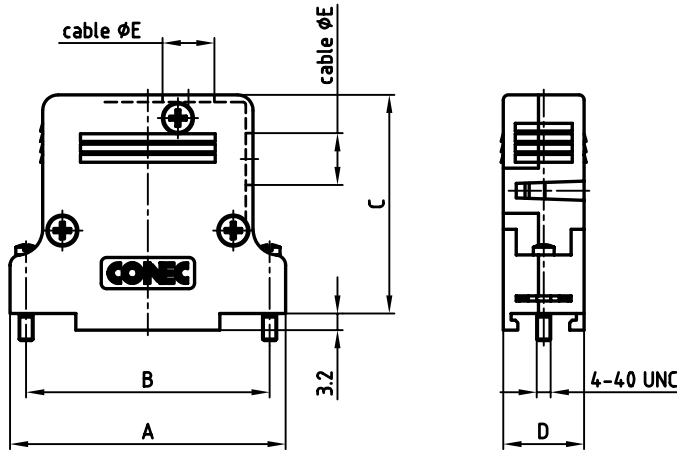


used for: D-SUB

(b) 9pos.



(b) 15-50pos.



(c)

No. of pos.	A	B	C	D	ØE _{max.}	Part No. Single package	Part No. Bulk package
9	31.2	25.0	31.8	15.6	8.0	165X11919XE	165X11919X
15	39.5	33.3	37.0	15.6	8.0	165X11929XE	165X11929X
25	53.2	47.0	42.2	15.6	10.0	165X11939XE	165X11939X
37	69.7	63.5	42.2	15.6	10.0	165X11949XE	165X11949X
50	67.3	61.1	42.2	18.5	12.5	165X11959XE	165X11959X

(c)

NOTES:

- HOOD: ABS UL 94 V-0; METALLIZED
- HOOD PLUG: ABS UL 94 V-0; METALLIZED
- JACKSCREW: BRASS; NICKEL PLATED
- SCREW FOR STRAIN RELIEF: STEEL; NICKEL PLATED
- COVER SCREW: STEEL; NICKEL PLATED
- STRAIN RELIEF: STEEL; NICKEL PLATED



APPROVAL * FREIGABE * DEBLOCAGE * AUTORIZACION * APPROVAL

CUSTOMER APPROVAL DATE:

NAME: TITLE:

COMPANY NAME:

APPROVAL * FREIGABE * DEBLOCAGE * AUTORIZACION * APPROVAL

THIS DRAWING MAY NOT BE COPIED OR REPRODUCED IN ANY WAY, AND MAY NOT BE PASSED ON TO A THIRD PARTY, WITHOUT WRITTEN PERMISSION. OWNERSHIP AND COPYRIGHT OF CONEC GmbH. DO NOT ALTER CAD DRAWING BY HAND

rev.	description	date	name
2 x c	Ä 2548	04.08.06	HS
2 x b	Ä 1604	08.08.2002	Parei

2001	date	name
drawn	11.12.	Parei
appd.	11.12.	Mickenbecker
norm		
d-old		

tolerance dim. in mm

scale: 1:1

material: SEE NOTES

title: **PLASTIC HOOD**
9pos. with top cable exit
15-50pos. with top and side cable exit

dwg no: AutoCAD 2000 DIN-A 3 sh: 1/1

part no: SEE TABLE

