

FEATURES

- Maximizes Power Efficiency
- Eliminates Thermal Design Problems
- DC to 600Hz
- 9V to 72V Operating Voltage Range
- $I_Q = 1.5\text{mA}$ (Typical)
- Maximizes Available Voltage
- Available in 8-Lead (3mm × 3mm) DFN, 12-Lead MSOP and 8-Lead PDIP Packages

APPLICATIONS

- Security Cameras
- Terrestrial or Airborne Power Distribution Systems
- Power-over-Ethernet Powered Device with a Secondary Input
- Polarity-Agnostic Power Input
- Diode Bridge Replacement

LT, LT, LTC, LTM, Linear Technology and the Linear logo are registered trademarks of Linear Technology Corporation. All other trademarks are the property of their respective owners. Patent pending.

DESCRIPTION

The **LT[®]4320/LT4320-1** are ideal diode bridge controllers that drive four N-channel MOSFETs, supporting voltage rectification from DC to 600Hz typical. By maximizing available voltage and reducing power dissipation (see thermograph comparison below), the ideal diode bridge simplifies power supply design and reduces power supply cost, especially in low voltage applications.

An ideal diode bridge also eliminates thermal design problems, costly heat sinks, and greatly reduces PC board area. The LT4320's internal charge pump supports an all-NMOS design, which eliminates larger and more costly PMOS switches. If the power source fails or is shorted, a fast turn-off minimizes reverse current transients.

The LT4320 is designed for DC to 60Hz typical voltage rectification, while the LT4320-1 is designed for DC to 600Hz typical voltage rectification. Higher frequencies of operation are possible depending on MOSFET size and operating load current.

TYPICAL APPLICATION



Thermograph of Passive Diode Bridge



Thermograph of LT4320 Driving Four MOSFETs



Temperature Rise

| CURRENT | MOSFET 2.5mΩ | DIODE SBM 1040 |
|---------|-----------------|----------------------|
| 2A | 0.6°C | 15°C |
| 4A | 3.5°C | 32°C |
| 6A | 6.7°C | 49°C |
| 8A | 11°C | 66°C |
| 10A | 16°C | 84°C |

DC Input, On Same PCB

LT4320/LT4320-1

ABSOLUTE MAXIMUM RATINGS (Notes 1, 2)

Supply Voltages

IN1, IN2..... -3V to 80V
 OUTP -0.3V to 80V

Output Voltages (Note 3)

BG1, BG2, TG1, TG2..... -0.3V to 80V
 TG1-IN1, TG2-IN2..... -0.3V to 12V

Operating Junction Temperature Range

LT4320I..... -40°C to 85°C
 LT4320H -40°C to 125°C
 LT4320MP -55°C to 125°C

Storage Temperature Range

..... -65°C to 150°C

Lead Temperature (Soldering, 10 sec)
 MSE, PDIP Packages 300°C

PIN CONFIGURATION



ORDER INFORMATION

| LEAD FREE FINISH | TAPE AND REEL | PART MARKING* | PACKAGE DESCRIPTION | OPERATING JUNCTION TEMPERATURE RANGE |
|-------------------|---------------------|---------------|--------------------------------|--------------------------------------|
| LT4320IDD#PBF | LT4320IDD#TRPBF | LGCV | 8-Lead (3mm × 3mm) Plastic DFN | -40°C to 85°C |
| LT4320HDD#PBF | LT4320HDD#TRPBF | LGCV | 8-Lead (3mm × 3mm) Plastic DFN | -40°C to 125°C |
| LT4320IDD-1#PBF | LT4320IDD-1#TRPBF | LGCW | 8-Lead (3mm × 3mm) Plastic DFN | -40°C to 85°C |
| LT4320HDD-1#PBF | LT4320HDD-1#TRPBF | LGCW | 8-Lead (3mm × 3mm) Plastic DFN | -40°C to 125°C |
| LT4320IMSE#PBF | LT4320IMSE#TRPBF | 4320 | 12-Lead Plastic MSOP | -40°C to 85°C |
| LT4320HMSE#PBF | LT4320HMSE#TRPBF | 4320 | 12-Lead Plastic MSOP | -40°C to 125°C |
| LT4320MPMSE#PBF | LT4320MPMSE#TRPBF | 4320 | 12-Lead Plastic MSOP | -55°C to 125°C |
| LT4320IMSE-1#PBF | LT4320IMSE-1#TRPBF | 43201 | 12-Lead Plastic MSOP | -40°C to 85°C |
| LT4320HMSE-1#PBF | LT4320HMSE-1#TRPBF | 43201 | 12-Lead Plastic MSOP | -40°C to 125°C |
| LT4320MPMSE-1#PBF | LT4320MPMSE-1#TRPBF | 43201 | 12-Lead Plastic MSOP | -55°C to 125°C |
| LT4320IN8#PBF | NA | LT4320N8 | 8-Lead PDIP | -40°C to 85°C |
| LT4320HN8#PBF | NA | LT4320N8 | 8-Lead PDIP | -40°C to 125°C |
| LT4320IN8-1#PBF | NA | LT4320N8-1 | 8-Lead PDIP | -40°C to 85°C |
| LT4320HN8-1#PBF | NA | LT4320N8-1 | 8-Lead PDIP | -40°C to 125°C |

Consult LTC Marketing for parts specified with wider operating temperature ranges. *The temperature grade is identified by a label on the shipping container. Consult LTC Marketing for information on nonstandard lead based finish parts.

For more information on lead free part marking, go to: <http://www.linear.com/leadfree/>

For more information on tape and reel specifications, go to: <http://www.linear.com/tapeandreeel/>

ELECTRICAL CHARACTERISTICS The ● denotes the specifications which apply over the full operating temperature range, otherwise specifications are at $T_A = 25^\circ\text{C}$. (Note 2)

| SYMBOL | PARAMETER | CONDITIONS | MIN | TYP | MAX | UNITS | |
|--------------------|--|---|-----|------|------|---------------|----|
| | OUTP Voltage Range | | ● | 9 | 72 | V | |
| | OUTP Undervoltage Lockout (UVLO) Threshold | INn = OUTP, Other IN = 0V | ● | 6.2 | 6.6 | 7.0 | V |
| V_{INT} | INn Turn-On/Off Threshold | OUTP = 9V, Other IN = 0V | ● | 1.3 | 3.7 | V | |
| I_{OUTP} | OUTP Pin Current | INn = OUTP + $\Delta V_{SD(MAX)}$ + 5mV, Other IN = 0V | ● | 1.0 | 1.5 | mA | |
| I_{INn} | INn Pin Current at 9V at 72V | INn = OUTP + $\Delta V_{SD(MAX)}$ + 5mV, Other IN = 0V | ● | 44 | 63 | μA | |
| | | | ● | 0.3 | 0.4 | mA | |
| ΔV_{SD} | Topside Source-Drain Regulation Voltage (INn – OUTP) LT4320 LT4320-1 | | ● | 8 | 20 | 35 | mV |
| | | | ● | 26 | 40 | 55 | mV |
| ΔV_{TGATE} | Top Gate Drive (TGn – INn) | INn = OUTP + $\Delta V_{SD(MAX)}$ + 5mV, 10 μA Out of TGn, Other IN = 0V | ● | 6.6 | 10.8 | V | |
| V_{BGATE} | Bottom Gate Drive (BGn) | INn = OUTP, 10 μA Out of BGn, Other IN = 0V | ● | 7.0 | 12 | V | |
| I_{TGUn} | Top Gate Pull-Up Current | TGn – INn = 0V, INn = OUTP + 0.1V TGn – INn = 5V, INn = OUTP + 0.1V Current Flows Out of TGn, Other IN = 0V | ● | 425 | | μA | |
| | | | ● | 120 | | μA | |
| I_{TGSn} | Top Gate Pull-Down Current to INn | TGn – INn = 5V, INn = OUTP – 0.25V Current Flows Into TGn, Other IN = 0V | ● | 1.25 | | mA | |
| I_{TGGn} | Top Gate Pull-Down Current to OUTN | INn = 0V, Other IN = OUTP = 9.0V, TGn = 5V Current Flows Into TGn | ● | 6.0 | | mA | |
| I_{BGUn} | Bottom Gate Pull-Up Current | BGn = 5V; INn = OUTP = 9.0V, Other IN = 0V Current Flows Out of BGn | ● | 1.9 | | mA | |
| I_{BGDn} | Bottom Gate Pull-Down Current | BGn = 5V; INn = 0V, Other IN = OUTP = 9.0V Current Flows Into BGn | ● | 12.5 | | mA | |

Note 1: Stresses beyond those listed under Absolute Maximum Ratings may cause permanent damage to the device. Unless otherwise specified, exposure to any Absolute Maximum Rating condition for extended periods may affect device reliability and lifetime.

Note 2: All voltages are referenced to OUTN = 0V unless otherwise specified.

Note 3: Externally forced voltage absolute maximums. The LT4320 may exceed these limits during normal operation.

TYPICAL PERFORMANCE CHARACTERISTICS



PIN FUNCTIONS (DFN, PDIP/MSOP)

IN2 (Pin 1/Pin 1): Bridge Rectifier Input. IN2 connects to the external NMOS transistors MTG2 source, MBG1 drain and the power input.

TG2 (Pin 2/Pin 2): Topside Gate Driver Output. TG2 pin drives MTG2 gate.

BG2 (Pin 3/Pin 5): Bottom-Side Gate Driver Output. BG2 pin drives MBG2 gate.

BG1 (Pin 4/Pin 6): Bottom-Side Gate Driver Output. BG1 pin drives MBG1 gate.

OUTN (Pin 5/Pin 7): OUTN is the rectified negative output voltage, and connects to the sources of MBG1 and MBG2.

OUTP (Pin 6/Pin 9): OUTP is the rectified positive output voltage that powers the LT4320 and connects to the drains of MTG1 and MTG2.

TG1 (Pin 7/Pin 11): Topside Gate Driver Output. TG1 pin drives MTG1 gate.

IN1 (Pin 8/Pin 12): Bridge Rectifier Input. IN1 connects to the external NMOS transistors MTG1 source, MBG2 drain, and the power input.

NC (Pins 3, 4, 8, 10, MSOP Only): No Connections. Not internally connected.

Exposed Pad (Pin 9/Pin 13): Exposed Pad, DFN and MSOP. Must be connected to OUTN.

BLOCK DIAGRAM



OPERATION

Electronic systems that receive power from an AC power source or a DC polarity-agnostic power source often employ a 4-diode rectifier. The traditional diode bridge comes with an efficiency loss due to the voltage drop generated across two conducting diodes. The voltage drop reduces the available supply voltage and dissipates significant power especially in low voltage applications.

By maximizing available voltage and reducing power dissipation, the ideal diode bridge simplifies power supply design and reduces power supply cost. An ideal diode

bridge also eliminates thermal design problems, costly heat sinks, and greatly reduces PC board area.

The LT4320 is designed for DC to 60Hz typical voltage rectification, while the LT4320-1 is designed for DC to 600Hz typical voltage rectification. Higher frequencies of operation are possible depending on MOSFET size and operating load current.

Figure 2 presents sample waveforms illustrating the gate pins in an AC voltage rectification design.

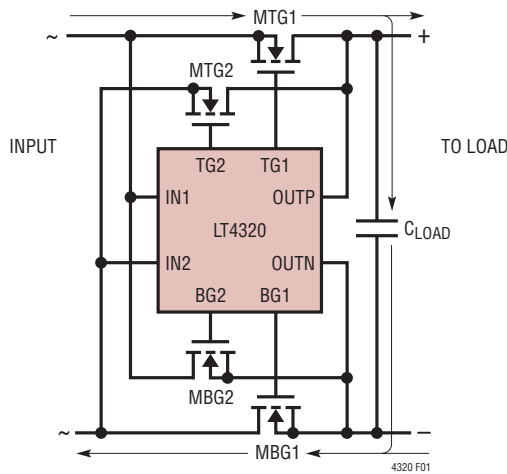


Figure 1. LT4320 with Four N-Channel MOSFETS, Illustrating Current Flow When IN1 Is Positive



Figure 2. 24V AC Sample Waveform

APPLICATIONS INFORMATION

MOSFET Selection

A good starting point is to reduce the voltage drop of the ideal bridge to 30mV per MOSFET with the LT4320 (50mV per MOSFET with the LT4320-1). Given the average output load current, I_{AVG} , select $R_{DS(ON)}$ to be:

$$R_{DS(ON)} = \frac{30\text{mV}}{I_{AVG}} \text{ for a DC power input}$$

or

$$R_{DS(ON)} = \frac{30\text{mV}}{3 \cdot I_{AVG}} \text{ for an AC power input}$$

In the AC power input calculation, $3 \cdot I_{AVG}$ assumes the duration of current conduction occupies 1/3 of the AC period.

Select the maximum allowable drain-source voltage, V_{DSS} , to be higher than the maximum input voltage.

Design Example

For a 24W, 12V DC/24V AC application, $I_{AVG} = 2\text{A}$ for 12V DC. To cover the 12V DC case:

$$R_{DS(ON)} = \frac{30\text{mV}}{2\text{A}} = 15\text{m}\Omega$$

For the 24V AC operation, $I_{AVG} = 1\text{A}$. To cover the 24V AC case:

$$R_{DS(ON)} = \frac{30\text{mV}}{3 \cdot 1\text{A}} = 10\text{m}\Omega$$

This provides a starting range of $R_{DS(ON)}$ values to choose from.

Ensure the MOSFET can handle a continuous current of $3 \cdot I_{AVG}$ to cover the expected peak currents during AC rectification. That is, select $I_D \geq 3\text{A}$. Since a 24V AC waveform can reach 34V peak, select a MOSFET with $V_{DSS} \gg 34\text{V}$. A good choice of V_{DSS} is 60V in a 24V AC application.

Other Considerations in MOSFET Selection

Practical MOSFET considerations for the LT4320-based ideal bridge application include selecting the lowest available total gate charge (Q_g) for the desired $R_{DS(ON)}$. Avoid oversizing the MOSFET, since an oversized MOSFET limits

the maximum operating frequency, creates unintended efficiency losses, adversely increases turn-on/turn-off times, and increases the total solution cost. The LT4320 gate pull-up/pull-down current strengths specified in the Electrical Characteristics section, and the MOSFET total gate charge (Q_g), determine the MOSFET turn-on/off times and the maximum operating frequency in an AC application. Choosing the lowest gate capacitance while meeting $R_{DS(ON)}$ speeds up the response time for full enhancement, regulation, turn-off and input shorting events.

$V_{GS(th)}$ must be a minimum of 2V or higher. A gate threshold voltage lower than 2V is not recommended since too much time is needed to discharge the gate below the threshold and halt current conduction during a hot plug or input short event.

C_{LOAD} Selection

A 1 μF ceramic and a 10 μF minimum electrolytic capacitor must be placed across the OUTP and OUTN pins with the 1 μF ceramic placed as close to the LT4320 as possible. Downstream power needs and voltage ripple tolerance determine how much additional capacitance between OUTP and OUTN is required. C_{LOAD} in the hundreds to thousands of microfarads is common.

A good starting point is selecting C_{LOAD} such that:

$$C_{LOAD} \geq I_{AVG} / (V_{RIPPLE} \cdot 2 \cdot \text{Freq})$$

where I_{AVG} is the average output load current, V_{RIPPLE} is the maximum tolerable output ripple voltage, and Freq is the frequency of the input AC source. For example, in a 60Hz, 24VAC application where the load current is 1A and the tolerable ripple is 15V, choose $C_{LOAD} \geq 1\text{A} / (15\text{V} \cdot 2 \cdot 60\text{Hz}) = 556\mu\text{F}$.

C_{LOAD} must also be selected so that the rectified output voltage, OUTP-OUTN, must be within the LT4320/LT4320-1 specified OUTP voltage range.

Transient Voltage Suppressor

For applications that may encounter brief overvoltage events higher than the LT4320 absolute maximum rating, install a unidirectional transient voltage suppressor (TVS) between the OUTP and OUTN pins as close as possible to the LT4320.

TYPICAL APPLICATIONS



CONDITION: 13VDC_{IN}, 3A LOAD ON SAME PCB

*19mΩ, 60V EACH FET

Figure 3. Thermograph: B360B vs LT4320 +4 Compact FETs

TYPICAL APPLICATIONS



Figure 4. Demonstration Circuit 1902A Used in Figure 3 Thermograph

PACKAGE DESCRIPTION

Please refer to <http://www.linear.com/designtools/packaging/> for the most recent package drawings.

DD Package
8-Lead Plastic DFN (3mm × 3mm)
 (Reference LTC DWG # 05-08-1698 Rev C)



RECOMMENDED SOLDER PAD PITCH AND DIMENSIONS
 APPLY SOLDER MASK TO AREAS THAT ARE NOT SOLDERED



NOTE:

1. DRAWING TO BE MADE A JEDEC PACKAGE OUTLINE M0-229 VARIATION OF (WEED-1)
2. DRAWING NOT TO SCALE
3. ALL DIMENSIONS ARE IN MILLIMETERS
4. DIMENSIONS OF EXPOSED PAD ON BOTTOM OF PACKAGE DO NOT INCLUDE MOLD FLASH. MOLD FLASH, IF PRESENT, SHALL NOT EXCEED 0.15mm ON ANY SIDE
5. EXPOSED PAD SHALL BE SOLDER PLATED
6. SHADED AREA IS ONLY A REFERENCE FOR PIN 1 LOCATION ON TOP AND BOTTOM OF PACKAGE

PACKAGE DESCRIPTION

Please refer to <http://www.linear.com/designtools/packaging/> for the most recent package drawings.

MSE Package 12-Lead Plastic MSOP, Exposed Die Pad (Reference LTC DWG # 05-08-1666 Rev G)

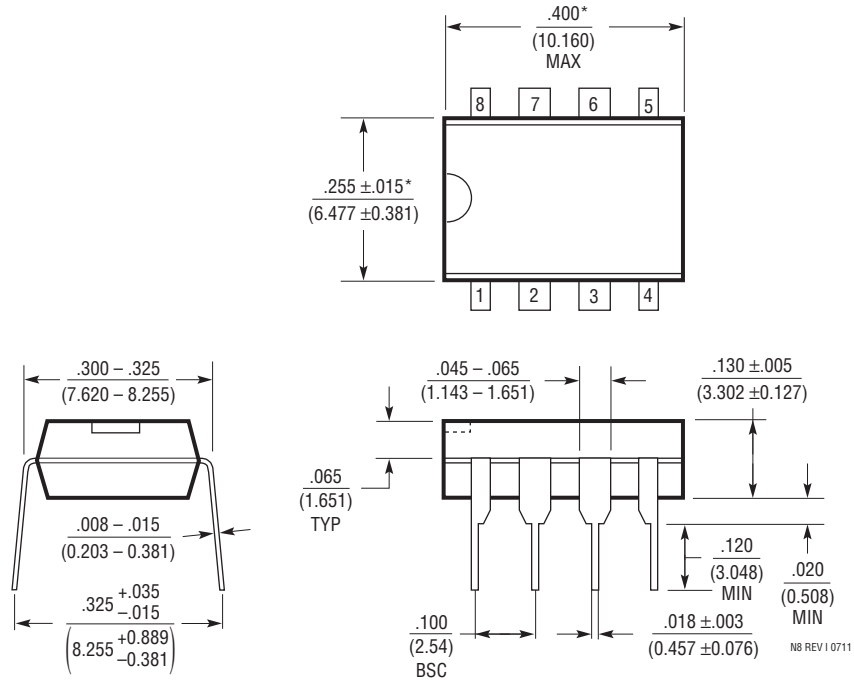


- NOTE:
1. DIMENSIONS IN MILLIMETER/(INCH)
 2. DRAWING NOT TO SCALE
 3. DIMENSION DOES NOT INCLUDE MOLD FLASH, PROTRUSIONS OR GATE BURRS. MOLD FLASH, PROTRUSIONS OR GATE BURRS SHALL NOT EXCEED 0.152mm (.006") PER SIDE
 4. DIMENSION DOES NOT INCLUDE INTERLEAD FLASH OR PROTRUSIONS. INTERLEAD FLASH OR PROTRUSIONS SHALL NOT EXCEED 0.152mm (.006") PER SIDE
 5. LEAD COPLANARITY (BOTTOM OF LEADS AFTER FORMING) SHALL BE 0.102mm (.004") MAX
 6. EXPOSED PAD DIMENSION DOES INCLUDE MOLD FLASH. MOLD FLASH ON E-PAD SHALL NOT EXCEED 0.254mm (.010") PER SIDE.

PACKAGE DESCRIPTION

Please refer to <http://www.linear.com/designtools/packaging/> for the most recent package drawings.

N Package
8-Lead PDIP (Narrow .300 Inch)
 (Reference LTC DWG # 05-08-1510 Rev I)



REVISION HISTORY

| REV | DATE | DESCRIPTION | PAGE NUMBER |
|-----|-------|---|-------------|
| A | 11/13 | Clarified that input frequency ranges use typical numbers (60Hz, 600Hz) | 1, 6 |
| | | Added PDIP package | 2, 12 |
| | | Reduced MOSFET drop to 30mV from 70mV in "MOSFET Selection" and "Design Example" sections | 7 |
| | | Provided additional guidance in "Other Considerations in MOSFET Selection" section | 7 |
| | | Updated MSE package drawing | 10 |
| B | 2/14 | Added H- and MP-grade information | 2 |

LT4320/LT4320-1

TYPICAL APPLICATION



| LT4320 IDEAL BRIDGE | | | | | DIODE BRIDGE |
|--------------------------|-------------------|--------------|----------|------------|--------------|
| MTG1, MTG2 MBG1, MBG2 | OPERATING VOLTAGE | LOAD CURRENT | C1 (MIN) | POWER LOSS | POWER LOSS |
| BSZ110N06NS3 | 55V DC | 3.5A | 10µF | 0.22W | 4.2W |
| | 24V AC | 1.5A | 560µF | 0.13W | 1.9W |
| BSC031N06NS3 | 55V DC | 30A | 10µF | 4.5W | 36W |
| | 24V AC | 10A | 3.3mF | 1.6W | 12W |
| PSMN040-100MSE | 72V DC | 2A | 10µF | 0.24W | 2.4W |

RELATED PARTS

| PART NUMBER | DESCRIPTION | COMMENTS |
|-------------------------|--|--|
| LT4321 | PoE Ideal Diode Bridge Controller | Replaces 8 Diodes with 8 N-Channel MOSFETs, Reduces Heat, Maximizes Efficiency |
| LTC4352 | Low Voltage Ideal Diode Controller with Monitoring | N-Channel, 0V to 18V, UV, 0V, MSOP-12 and DFN-12 Packages |
| LTC4353 | Dual Low Voltage Ideal Diode Controller | Dual N-Channel, 0V to 18V, MSOP-16 and DFN-16 Packages |
| LTC4354 | Negative Voltage Diode-OR Controller and Monitor | Controls Two N-Channel MOSFETs, 1µs Turn-Off, -80V Operation |
| LTC4355 | Positive Voltage Diode-OR Controller and Monitor | Controls Two N-Channel MOSFETs, 0.5µs Turn-Off, 9V to 80V Operation |
| LTC4357 | Positive High Voltage Ideal Diode Controller | Controls Single N-Channel MOSFETs, 0.5µs Turn-Off, 9V to 80V Operation |
| LTC4358 | 5A Ideal Diode | Positive Voltage Ideal Diode with Integrated MOSFET, 9V to 26.5V Operation |
| LTC4359 | Ideal Diode Controller with Reverse Input Protection | N-Channel, 4V to 80V, MSOP-8 and DFN-6 Packages |
| LTC4370 | 2-Supply Diode-OR Current Balancing Controller | Dual N-Channel, 0V to 18V, MSOP-16 and DFN-16 Packages |
| LTC4415 | Dual 4A ideal Diodes with Adjustable Current Limit | 1.7V to 5.5V Operating Range |

4320fb