



Main

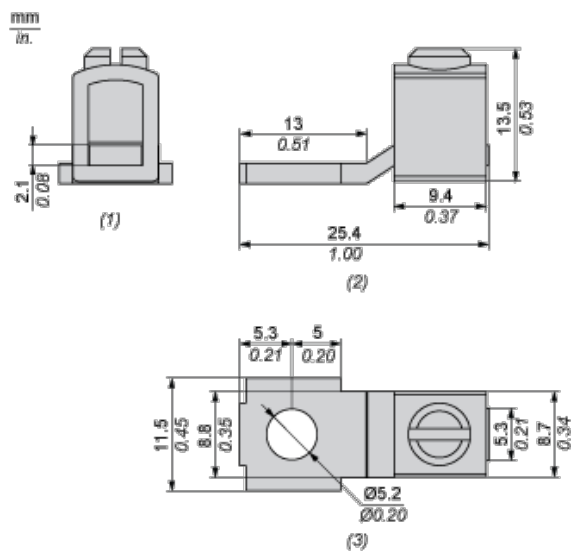
Product or component type	Terminal lug
Accessory / separate part category	Mounting accessory
Accessory / separate part destination	Solid state relay SSP1

Complementary

Material	Copper
AWG gauge	AWG 14...AWG 6
Tightening torque	11.5...15.04 lbf.in (1.3...1.7 N.m)
Torque value	20.35 lbf.in (2.3 N.m)
Product weight	0.31 oz (8.87 g)
Sale per indivisible quantity	10

Environment

Dimensions



- (1) Side view
- (2) Front view
- (3) Top view