

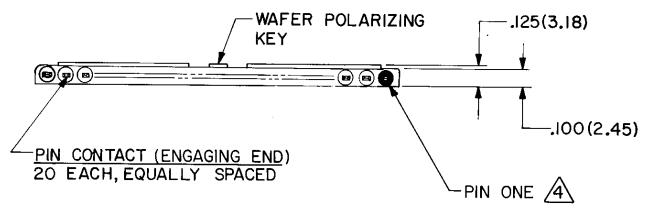
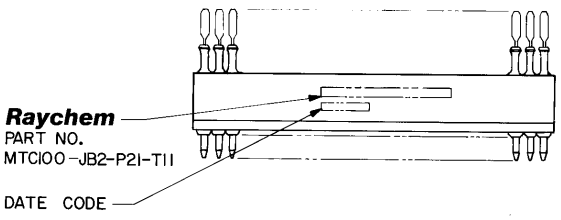
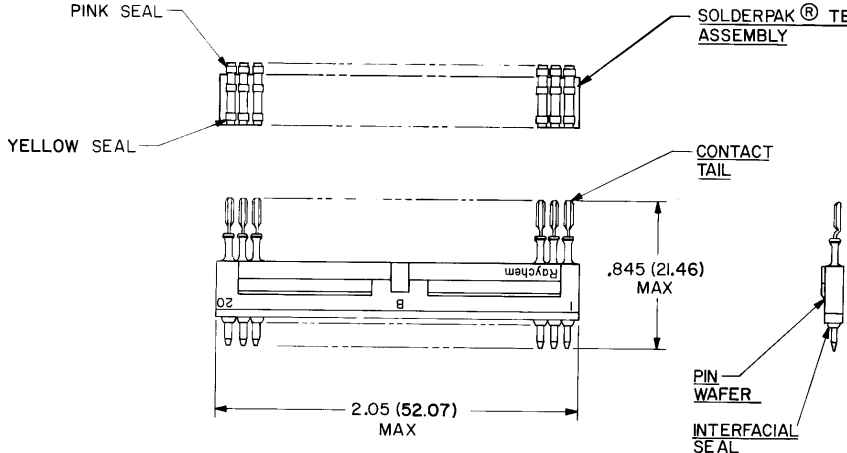
4

3

2

1

| | | | | |
|-----|------|------------------------|------|-------|
| REV | DATE | DESCRIPTION | BY | APP'D |
| — | A | CHG'D PER DCO# T-02581 | W.J. | |



5 WEIGHT (MAX.) : $\frac{\text{LBS.}}{.0090} \mid \frac{\text{GRAMS}}{4.08}$

4 PIN ONE : PIN NUMBER ONE MARKED IN CONTRASTING COLOR ON INTERFACIAL SEAL.

3. WAFER : WAFER MEETS THE REQUIREMENTS OF RAYCHEM SPECIFICATION D-6011.

2. FINISH :
 2-A PIN WAFER ; FINISH TO BE AS MOLDED.
 2-B PIN CONTACT ; GOLD PLATE PER MIL-G-45204, CLASS I.
 (ENGAGING END)
 2-C CONTACT TAIL ; COATED WITH SOLDER PER QQ-S-571.

1. MATERIAL :
 1-A PIN WAFER ; HIGH GRADE POLYARYLENE THERMO-PLASTIC.
 1-B PIN CONTACT ; COPPER ALLOY PER QQ-B-613 OR QQ-C-502.
 1-C INTERFACIAL SEAL ; SILICONE ELASTOMER PER MIL-R-25988.
 1-D SOLDERPAK® TERMINATORS ASSY ; REFER TO RAYCHEM DWG. CTA-0027 FOR DATA.

NOTES

If this document is printed it becomes uncontrolled.
 Check with the web for latest revision.

DO NOT SCALE THIS DRAWING

SPECIFICATION CONTROL DRAWING

| | | | | |
|---|----------|------------|---------|--|
| UNLESS OTHERWISE SPECIFIED DIMENSIONS ARE IN INCHES BRACKETED DIMENSIONS () ARE METRIC AND TOLERANCES ARE: .XXX: ± .005 (0.13 M.M.) .XX: ± .02 (0.51 M.M.) Δ: ± — | DRAWN | W.V.J. | 1-15-81 | Raychem <small>RAYCHEM CORPORATION 1001 N. STATE STREET, SUITE 100 MOUNTAIN VIEW, CALIF. 92654</small> TITLE KIT, 2" PIN WAFER "B" WITH SOLDERPAK® TERMINATORS, FOR ROUND WIRE (20-26 AWG), 150°C TEMPERATURE RATING MTC 100 SERIES |
| | CHECKED | <i>WVJ</i> | | |
| | APPROVED | <i>WVJ</i> | 1-22-81 | |
| | APPROVED | <i>WVJ</i> | 2-6-81 | |
| | APPROVED | | | SIZE C CODE IDENT NO. 06090 DWG. NO. MTC100-JB2-P21-T11 WEIGHT Δ SHEET OF |

© Raychem Corporation 1981