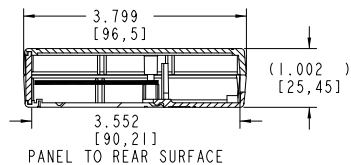
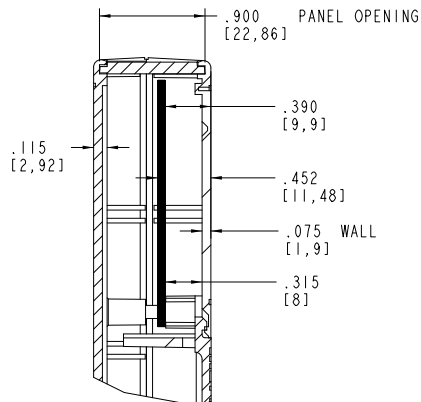
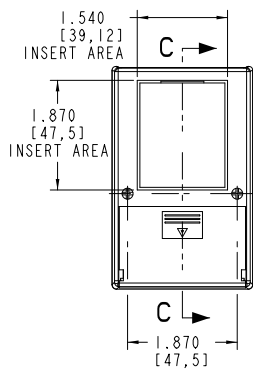


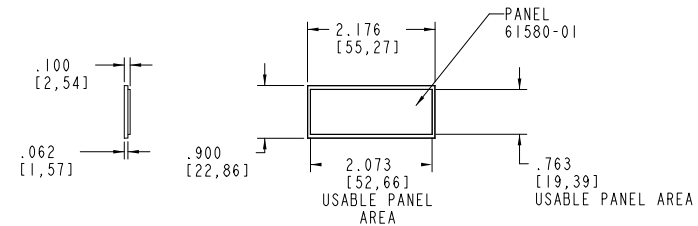
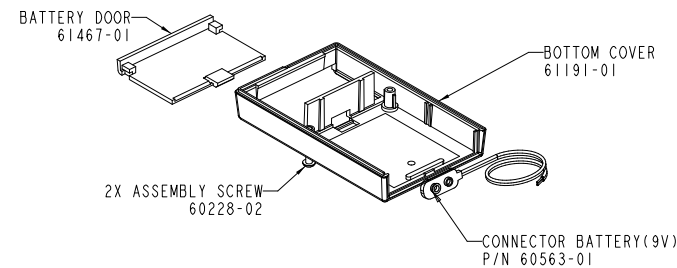
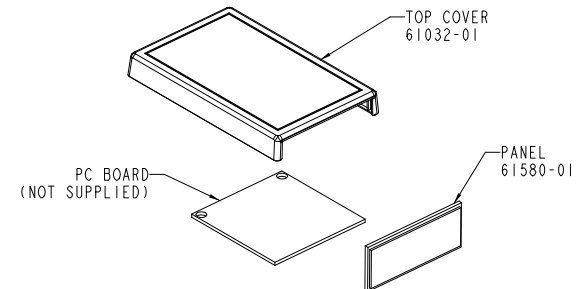
SECTION A-A



SECTION B-B



SECTION C-C



PACNTEC®
1-610-361-4200

HM-9VB

VISIT **PACNTEC®**
ON THE WORLD WIDE WEB
www.pactecenclosures.com

COLOR / MATERIAL CODE		
COLOR	94HB	94VO
BLACK	000	028
P.C. BONE	039	060

DRAWING NUMBER	REV
61399	C