

6

5

4

3

2

1

E

E

D

D

C

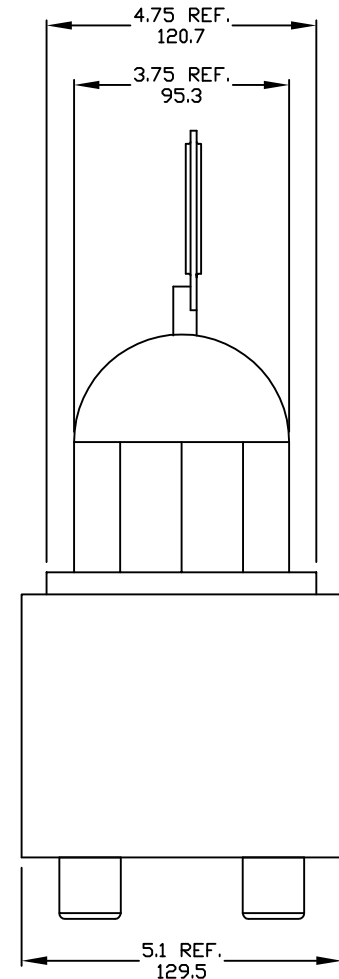
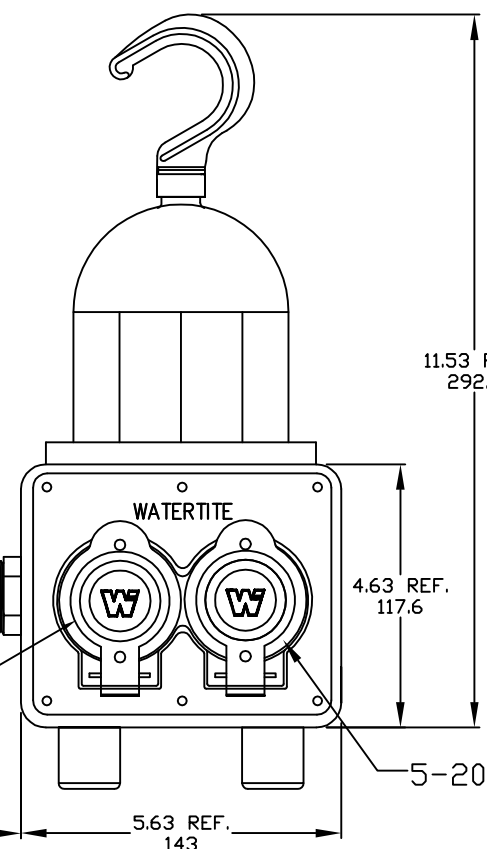
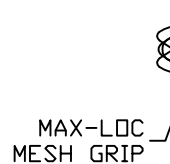
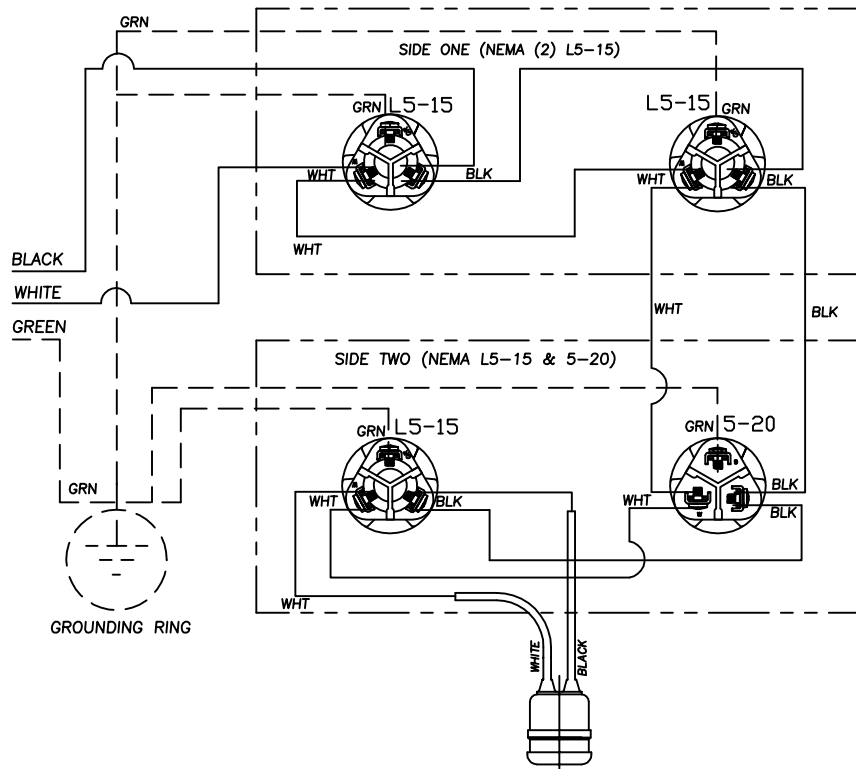
C

B

B

A

A



**CUSTOMER DRAWING**  
 EC NO: WNA2010-0280  
 DRWN: HKNEELAN 10/19/09  
 CHKD: HKNEELAN 2009/10/26  
 APPR: DITITUS 2009/11/06

**QUALITY SYMBOLS**  
 ▽=0  
 ∇=0

**GENERAL TOLERANCES (UNLESS SPECIFIED)**

	mm	INCH
4 PLACES	±---	±---
3 PLACES	±---	±0.005
2 PLACES	±0.13	±0.010
1 PLACE	±0.25	±0.020

ANGULAR ±.5°

**DRAFT WHERE APPLICABLE MUST REMAIN WITHIN DIMENSIONS**

**DIMENSION STYLE**  
 INCH/MM

**CHECKED BY** DATE  
 HKNEELAN 2009/10/26

**APPROVED BY** DATE  
 DITITUS 2009/11/06

**MATERIAL NO.**  
 1301350367

**SIZE**  
 A

**SCALE** NTS  
**DESIGN UNITS** INCH  
**THIRD ANGLE PROJECTION**

**TITLE**  
 32W90-2 LIGHTED BOX  
 NEMA (3)L5-15 & (1)5-20  
 WIRE MESH GRIP

**MOLEX INCORPORATED**

**DOCUMENT NO.** SD-130135-024  
**SHEET NO.** 1 OF 1

THIS DRAWING CONTAINS INFORMATION THAT IS PROPRIETARY TO MOLEX INCORPORATED AND SHOULD NOT BE USED WITHOUT WRITTEN PERMISSION

6

5

4

3

2

1