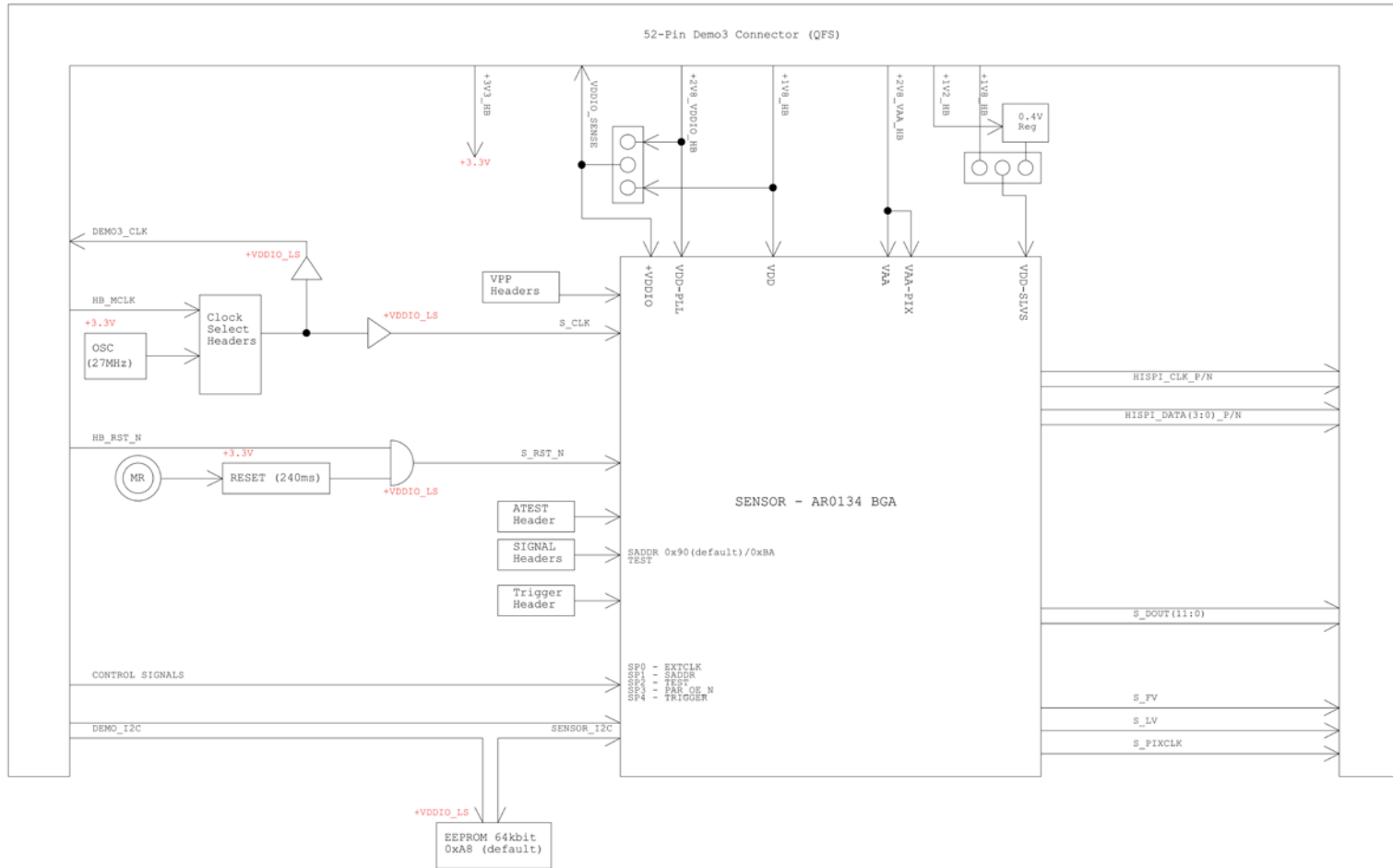


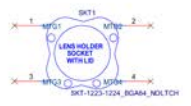
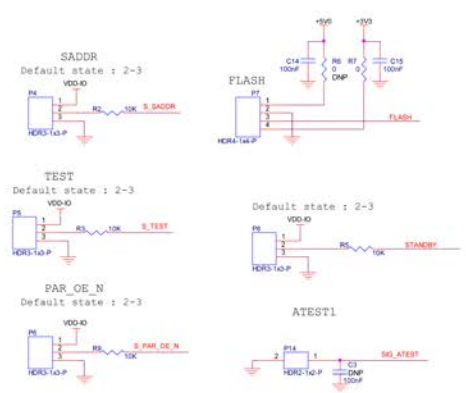
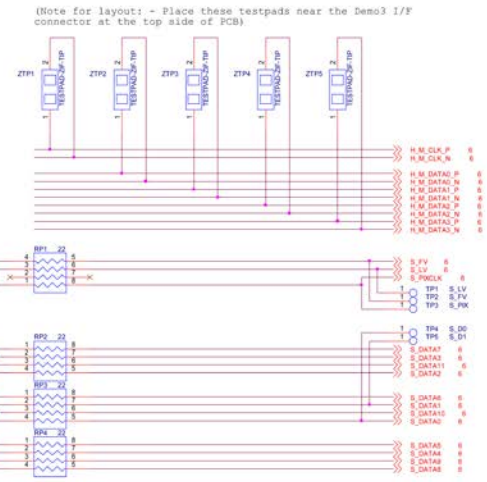
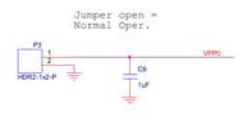
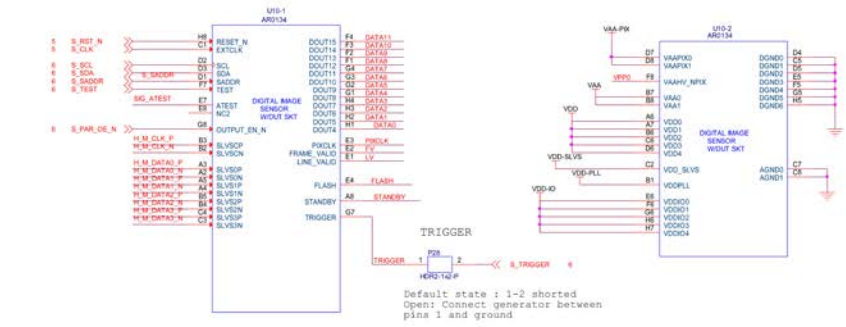
## Schematic for the AR0134CSSM25SUEAH3-GEVB Evaluation Board

### Block Diagram



# Sensor

+V5V	4	+V5	4
+V3	4.5	+V3	4.5
+VDDIO_L1	4.5.5	+VDDIO_L1	4.5.5
VDD	4	VDD	4
VDD-I/O	4	VDD-I/O	4
VDD-SLV5	4	VDD-SLV5	4
VDD-PLL	4	VDD-PLL	4
VVA	4	VVA	4
VVA-PK	4	VVA-PK	4



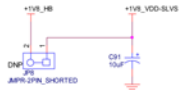
Debug Headers: Cut away the shorted trace and mount header for power debugging

# Power

## VDD 1.8V SUPPLY



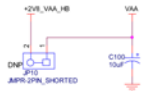
## VDD-SLVS 1.8V SUPPLY



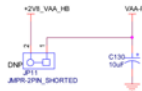
## VDD-PLL 2.8V SUPPLY



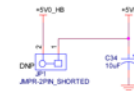
## VAA 2.8V SUPPLY



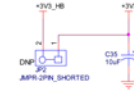
## VAA-PIX 2.8V SUPPLY



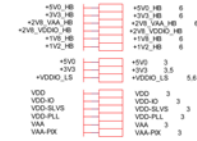
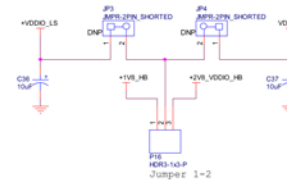
## PERIPHERAL 5V SUPPLY



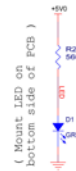
## PERIPHERAL 3.3V SUPPLY



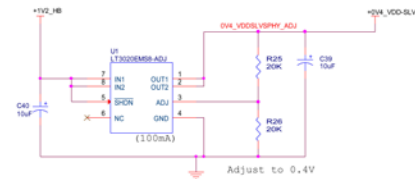
## VDDIO & VDDIO LS 1.8V/2.8V SUPPLY



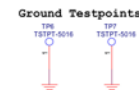
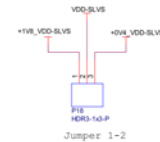
## 5V LED



## VDDSLVSPHY 0.4V SUPPLY



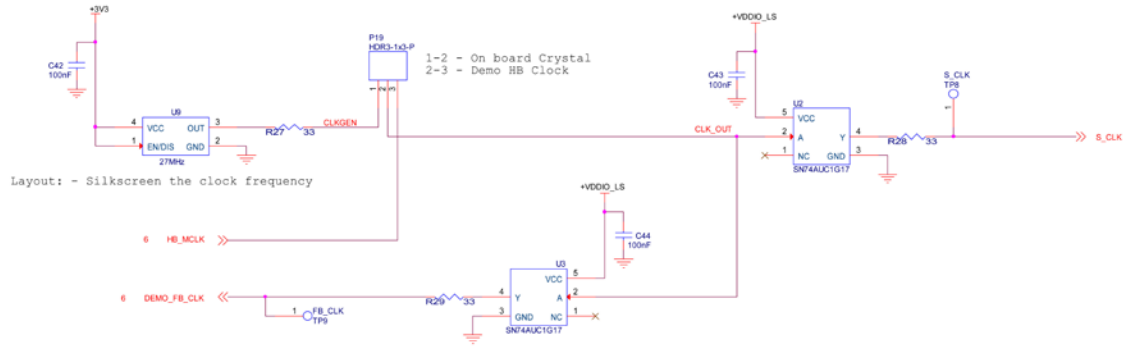
Selection of 0.4V or 1.2V/1V8 for VDDSLVSPHY supply



# Clock and Reset

+5V0 3.4  
 +3V0 3.4  
 +VDDIO\_LS 4.6

## CLOCK CIRCUIT



## RESET CIRCUIT

