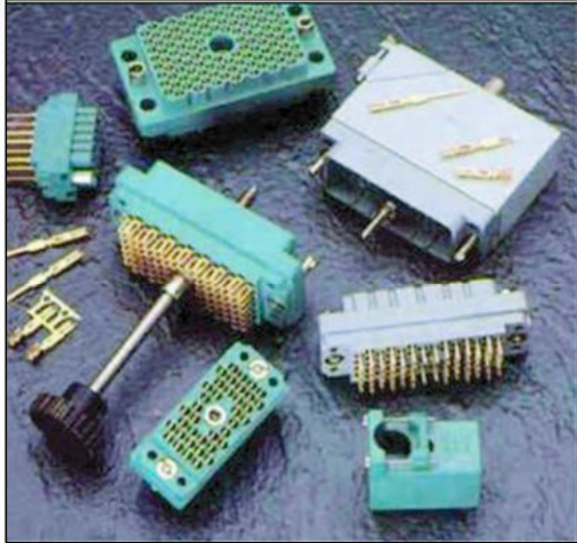




SERIES 516



FEATURES

UL Recognized.

.150 (3.81) Contact Spacing x .150 (3.81) Row Spacing with Staggered Gold

Plug & Receptacle in 20, 38, 56, 90 or 120 Contact Sizes

Edacon Hermaphroditic Contact Mating Design

Contact Termination Options include Crimp, P.C. Tail, Wire Hole and Wire Wrap

Mating and Unmating Simplified with use of Actuating Screws

Optional Covers with Side or Top Entry Cable Clamp in Plastic or Metal Material Available for all Connector Sizes

Versatile Metal Cover Design permits Assembly or Disassembly After Cabling is Complete plus Cable Entry Style Flexibility

Actuating Screws, Locknuts, Polarizing Hardware, Covers and Contacts Suitable for either Plug or Receptacle

Polarizing Hardware Adjustable for 288 Mating Combinations

Tools Available for Contact Installation, Removal and Crimping and Polarizing Changes

SPECIFICATIONS

Insulator Material: Thermoplastic Polyester or Diallyl Phthalate, UL 94V-0, Colour: Green, or Polycarbonate, Colour: Grey

Contact Material: Phosphor Bronze Alloy CA-510

Contact Plating: Gold over Nickel

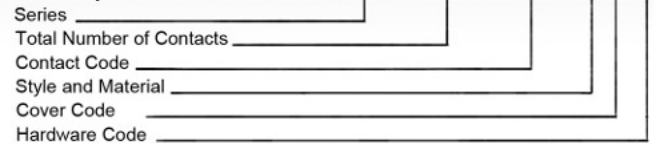
Cover Material: Poly Carbonate, Colour Green or Die-Cast Zinc, finished with Grey Enamel Paint

Current Rating: 8.5 Amperes

Contact Resistance: 10 Milliohms Maximum

Dielectric Withstanding Voltage: 2000 V AC rms at Sea Level

Example Part Number 516 - 038 - 500 - 2 1 2



Series 516

Total Number of Contacts 020, 038, 056, 090 or 120

| Contact Code | Description & Tail Size | Tail Length "G" |
|--------------|-------------------------------------|-----------------|
| 000 | No Contacts Assembled | --- |
| 500 | Wire Hole .110 x .024 (2.79 x 0.61) | .245 (6.22) |
| 520 | P.C. Tail .025 x .024 (0.64 x 0.61) | .215 (5.46) |
| 540 | Wire Wrap .050 x 0.24 (1.27 x 0.61) | .600 (15.24) |
| 541 | Wire Wrap .026 x .024 (0.66 x 0.61) | .620 (15.75) |
| 542 | Wire Wrap .050 x .024 (1.27 x .061) | .790 (20.07) |

| Style & Material | Style | Insulator Material |
|------------------|------------|-------------------------|
| 1 | Plug | Green Diallyl Phthalate |
| 2 | Receptacle | Green Diallyl Phthalate |
| 3 | Plug | Grey Polycarbonate |
| 4 | Receptacle | Grey Polycarbonate |
| 5 | Plug | Green Polyester |
| 6 | Receptacle | Green Polyester |

| Cover Code | Description |
|------------|--|
| 0 | No Cover Assembled |
| 1 | Plastic Cover, Top Entry Standard Clamp |
| 2 | Plastic Cover, Side Entry Standard Clamp |
| 3 | Plastic Cover, Top Entry Large Clamp |
| 4 | Plastic Cover, Side Entry Large Clamp |
| 5 | Metal Cover, Side Entry |
| 6 | Metal Cover, Top Entry |

| Hardware Code | Description |
|---------------|---|
| 0 | No Hardware Assembled |
| 1 | Actuating Screw and Polarizing Hardware |
| 2 | Locknut and Polarizing Hardware |
| 5 | Actuating Screw with No Polarizing Hardware |
| 6 | Locknut with No Polarizing Hardware |

Ordering Code Notes

Crimp contacts are also available for the 516 series connectors. Contacts be ordered separately for pre-wired or select position assembly.

| Part Number | Description | Silhouette |
|-------------|--------------------------------|------------|
| 516-290-500 | Wire Hole | |
| 516-290-520 | P.C. Tail | |
| 516-290-540 | Wire Wrap | |
| 516-290-541 | Wire Wrap | |
| 516-290-542 | Wire Wrap | |
| 516-290-590 | Crimp - Loose | |
| 516-290-591 | Crimp - 1800 Contacts per reel | |

Continued on next page

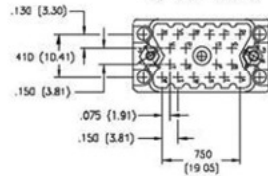
Insulation Resistance: 5000 Milliohms Minimum

Operating Temperature: -65 to +125 Degrees C

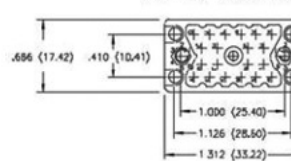
Insertion and Withdrawal Force: 2 to 16 oz 0 (0.56 to 4.45 N) per Contact Position

CONNECTOR MATING FACE VIEWS
 DIMENSIONS INDICATED FOR EACH SIZE APPLY TO BOTH PLUG AND RECEPTACLE

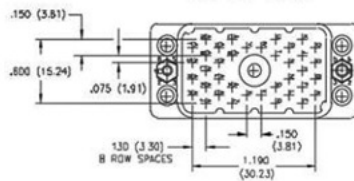
20 PIN PLUG



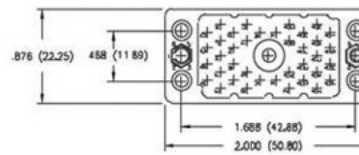
20 PIN RECEPTACLE



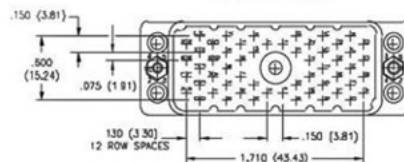
38 PIN PLUG



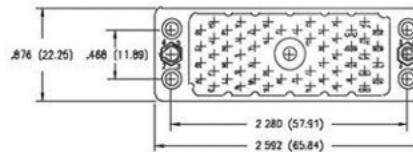
38 PIN RECEPTACLE



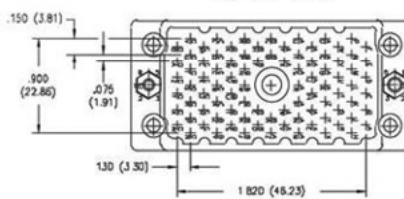
56 PIN PLUG



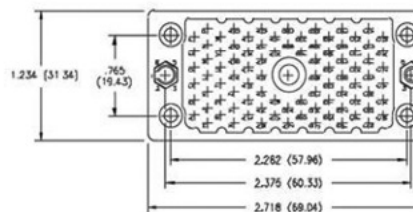
56 PIN RECEPTACLE



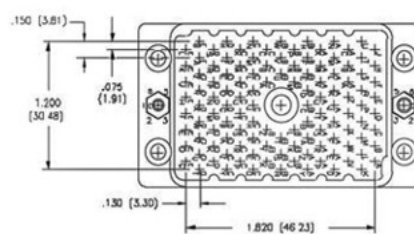
90 PIN PLUG



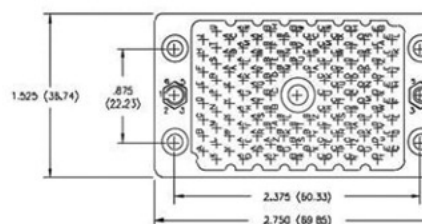
90 PIN RECEPTACLE



120 PIN PLUG



120 PIN RECEPTACLE





SERIES 516

Example Part Number **516 - 230 - 5 56**

Series _____
 Cover Identification Code _____
 Cover Type _____
 Cover Size _____

Series 516

Cover Identification Code 230

| Cover Type ^{1,2} | Description |
|---------------------------|--|
| 1 | Plastic Cover, Side Entry Standard Clamp |
| 2 | Plastic Cover, Top Entry Standard Clamp |
| 3 | Plastic Cover, Side Entry Large Clamp |
| 4 | Plastic Cover, Top Entry Large Clamp |
| 5 | Metal Cover, Side Entry |
| 6 | Metal Cover, Top Entry |
| 7 | Metal Cover, Large Clamp |

| Cover Size | Fits Connector |
|------------|---|
| 12 | 516 Series 120 Pin |
| 20 | 516 Series 20 Pin and 519 Series 14 Pin |
| 38 | 516 Series 38 Pin and 519 Series 36 Pin |
| 56 | 516 Series 56 Pin |
| 90 | 516 Series 90 Pin |

Ordering Code Notes

- 1) Plastic covers with large clamps are only available for the 38 and 56 pin size connectors.
- 2) Metal covers with side entry may be converted to top entry by removing side plate and changing clamp orientation.

Features

Available in Metal (Die-Cast Zinc Finished with Grey Enamel Paint) or Plastic (Green Polycarbonate) Material

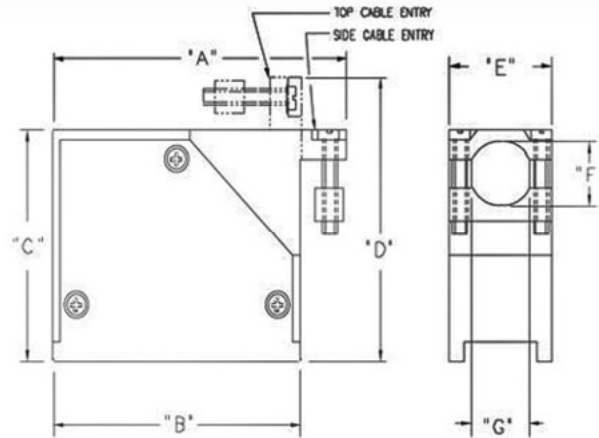
Covers with Top or Side Entry Cable Clamp.

Orientation of Clamp on Metal Covers may be changed by the Customer

Versatile Metal Cover Design permits Assembly or Disassembly after Cabling is Complete

Screws for Securing Cover to 516 or 519 Series Connectors Supplied

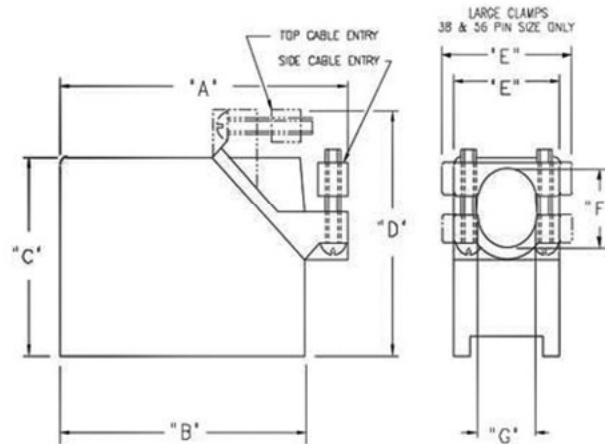
METAL COVERS



NEW COVER DESIGN (AVAILABLE SOON) WILL ELIMINATE 3 SCREWS FOR SIDE TO SIMPLIFY ASSEMBLY, DISASSEMBLY AND CLAMP ORIENTATION CHANGES

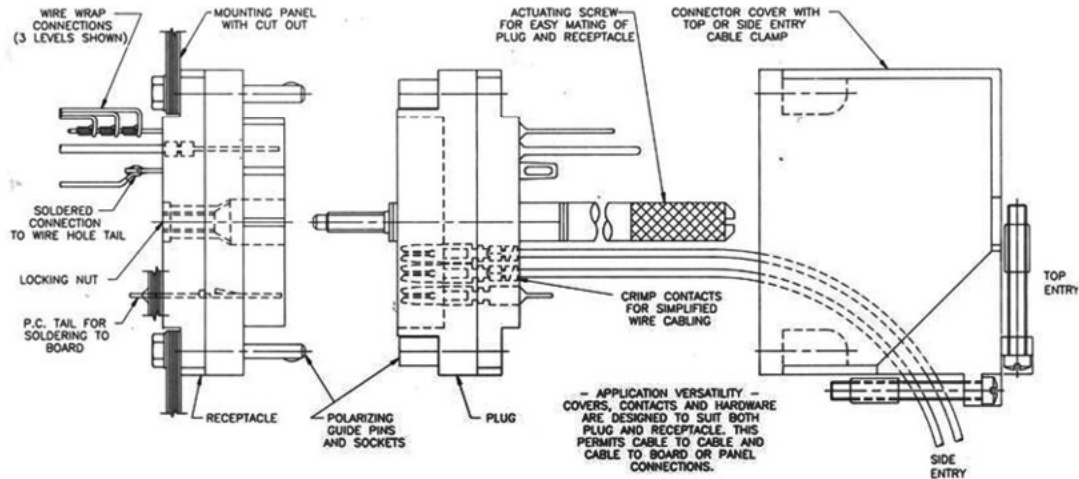
SCREWS FOR SECURING THE COVER TO THE CONNECTOR ARE SUPPLIED BY EDAC.

PLASTIC COVERS

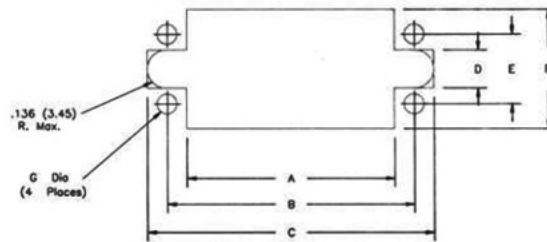


| COVER FOR CONNECTOR | COVER MATERIAL | CLAMP SIZE | "A" | | "B" | | "C" | | "D" | | "E" | | "F" | | "G" | |
|---------------------|----------------|------------|-------|---------|-------|---------|-------|---------|-------|---------|-------|---------|------|---------|-------|---------|
| | | | Inch | (mm) | Inch | (mm) | Inch | (mm) | Inch | (mm) | Inch | (mm) | Inch | (mm) | Inch | (mm) |
| 20 Pin | Plastic | Standard | 1.605 | (40.77) | 1.325 | (33.66) | .906 | (23.01) | 1.190 | (30.23) | .715 | (18.16) | .450 | (11.43) | .450 | (11.43) |
| 20 Pin | Metal | Standard | 1.539 | (39.09) | 1.325 | (33.66) | .906 | (23.01) | 1.120 | (28.45) | .686 | (17.42) | .446 | (11.33) | .490 | (12.45) |
| 38 Pin | Plastic | Standard | 2.460 | (62.48) | 2.010 | (51.05) | 1.530 | (38.86) | 1.985 | (50.42) | .910 | (23.11) | .650 | (16.51) | .500 | (12.70) |
| 38 Pin | Plastic | Large | 2.460 | (62.48) | 2.010 | (51.05) | 1.530 | (38.86) | 1.985 | (50.42) | 1.110 | (28.19) | .650 | (16.51) | .608 | (15.44) |
| 38 Pin | Metal | Standard | 2.206 | (56.03) | 2.006 | (50.95) | 1.566 | (39.78) | 1.766 | (44.86) | .875 | (22.23) | .720 | (18.29) | .575 | (14.61) |
| 56 Pin | Plastic | Standard | 3.052 | (77.52) | 2.602 | (66.09) | 1.530 | (38.86) | 1.985 | (50.42) | .910 | (23.11) | .650 | (16.51) | .500 | (12.70) |
| 56 Pin | Plastic | Large | 3.052 | (77.52) | 2.602 | (66.09) | 1.530 | (38.86) | 1.985 | (50.42) | 1.110 | (28.19) | .650 | (16.51) | .608 | (15.44) |
| 56 Pin | Metal | Standard | 2.802 | (71.17) | 2.602 | (66.09) | 1.566 | (39.78) | 1.766 | (44.86) | .875 | (22.23) | .720 | (18.29) | .575 | (14.61) |
| 90 Pin | Plastic | Standard | 3.124 | (79.35) | 2.718 | (69.04) | 1.775 | (45.09) | 2.181 | (55.40) | 1.250 | (31.75) | .800 | (20.32) | .800 | (20.32) |
| 90 Pin | Metal | Standard | 3.118 | (79.20) | 2.718 | (69.04) | 1.775 | (45.09) | 2.175 | (55.25) | 1.234 | (31.34) | .880 | (22.35) | .900 | (22.86) |
| 120 Pin | Plastic | Standard | 3.156 | (80.16) | 2.750 | (69.85) | 2.020 | (51.31) | 2.426 | (61.62) | 1.530 | (38.86) | .800 | (20.32) | 1.080 | (27.43) |
| 120 Pin | Metal | Standard | 3.175 | (80.65) | 2.750 | (69.85) | 2.020 | (51.31) | 2.445 | (62.10) | 1.531 | (38.89) | .890 | (22.61) | 1.080 | (27.43) |

RACK AND PANEL CONNECTORS



516 / 519 SERIES CONNECTOR PANEL MOUNTING CUT-OUT



516 SERIES CONNECTOR CUT OUTS

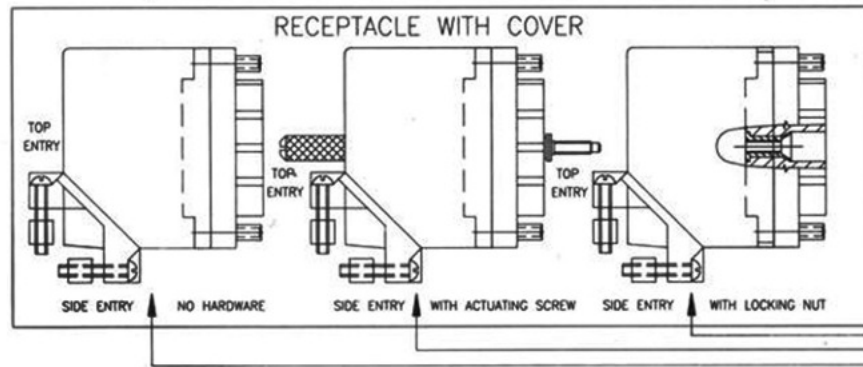
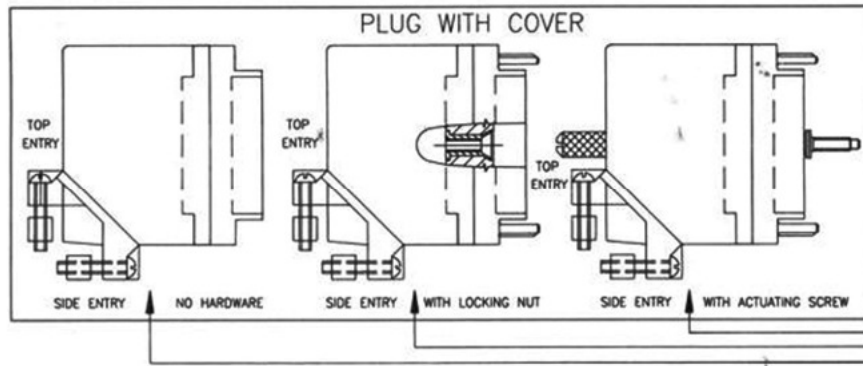
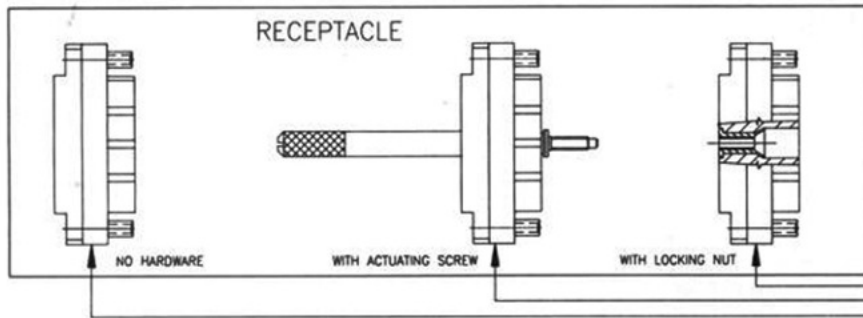
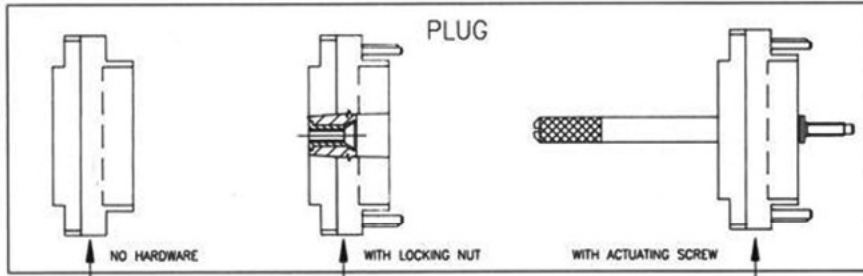
| CONNECTOR SIZE | A | B | C | D | E | F | G Dia |
|----------------|---------------|---------------|---------------|-------------|--------------|---------------|-------------|
| 20 pin | .960 (24.38) | 1.126 (28.6) | 1.270 (32.26) | .260 (6.60) | .410 (10.41) | .640 (16.26) | .104 (2.64) |
| 38 pin | 1.420 (36.07) | 1.688 (42.87) | 1.958 (49.73) | .260 (6.60) | .468 (11.89) | .816 (20.73) | .136 (3.45) |
| 56 pin | 1.940 (49.28) | 2.280 (57.91) | 2.550 (64.77) | .260 (6.60) | .468 (11.89) | .816 (20.73) | .136 (3.45) |
| 90 pin | 2.050 (52.07) | 2.282 (57.96) | 2.675 (67.95) | .300 (7.62) | .765 (19.43) | 1.120 (36.07) | .136 (3.45) |
| 120 pin | 2.050 (52.07) | 2.375 (60.32) | 2.675 (67.95) | .300 (7.62) | .875 (22.22) | 1.420 (36.07) | .156 (3.96) |

519 SERIES CONNECTOR CUT OUTS

| CONNECTOR SIZE | A | B | C | D | E | F | G Dia |
|----------------|---------------|---------------|---------------|-------------|--------------|--------------|-------------|
| 14 pin | .960 (24.38) | 1.126 (28.6) | 1.270 (32.26) | .260 (6.60) | .410 (10.41) | .640 (16.26) | .104 (2.64) |
| 36 pin | 1.420 (36.07) | 1.688 (42.87) | 1.958 (49.73) | .260 (6.60) | .468 (11.89) | .816 (20.73) | .136 (3.45) |

EDAC

SERIES 516



ORDERING CODE

516 056 540 102

SERIES NUMBER OF CONTACTS CONTACT CODE

| DAP CODE | STYLE | DESCRIPTION | POLYCARB CODE |
|----------|--|-----------------|---------------|
| 101 | P L U G | ACTUATING SCREW | 301 |
| 102 | | LOCKING NUT | 302 |
| 100 | | NO HARDWARE | 300 |
| 202 | R E C E P T A C L E | ACTUATING SCREW | 402 |
| 201 | | LOCKING NUT | 401 |
| 200 | | NO HARDWARE | 400 |

POLYCARBONATE CONNECTORS AVAILABLE IN 20,38,56 AND 90 PINS SIZES ONLY

| CODE REC. CLAMP | STYLE | DESCRIPTION | CODE LARGE CLAMP |
|-----------------|------------------------------|--|----------------------------|
| 111 | P L U G | ACTUATING SCREW, TOP ENTRY | 131 |
| 121 | | ACTUATING SCREW, SIDE ENTRY | 141 |
| 151 | | ACTUATING SCREW, METAL COVER | 151 |
| 112 | | LOCKING, NUT TOP ENTRY | 132 |
| 122 | | LOCKING, NUT SIDE ENTRY | 142 |
| 152 | | LOCKING, NUT METAL COVER | 152 |
| 110 | | NO HARDWARE, TOP ENTRY | 152 |
| 120 | | NO HARDWARE, SIDE ENTRY | 130 |
| 150 | | NO HARDWARE METAL COVER | 150 |
| 211 | | R E C E P T A C L E | ACTUATING SCREW, TOP ENTRY |
| 221 | ACTUATING SCREW, SIDE ENTRY | | 241 |
| 251 | ACTUATING SCREW, METAL COVER | | 251 |
| 212 | LOCKING, NUT TOP ENTRY | | 232 |
| 222 | LOCKING, NUT SIDE ENTRY | | 242 |
| 252 | LOCKING, NUT METAL COVER | | 252 |
| 210 | NO HARDWARE, TOP ENTRY | | 230 |
| 220 | NO HARDWARE, SIDE ENTRY | | 240 |
| 250 | NO HARDWARE METAL COVER | | 250 |