

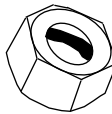
Accessories

DE SHAFT AND PANEL SEALING HARDWARE



| TYPE | LENGTH | WRENCH | Ø SHAFT | ORDERING INFORMATION | PACKAGING |
|-------------|--------|--------|---------|----------------------|-----------|
| Ø M6 x 0.75 | 9 | 12 | 3 | ACCPOTDEB173351950 | 25 |

DBAN SHAFT LOCKING



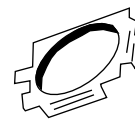
| TYPE | LENGTH | WRENCH | Ø SHAFT | ORDERING INFORMATION | PACKAGING |
|--------------|--------|--------|---------|----------------------|-----------|
| Ø M10 x 0.75 | 6.5 | 12 | 6 | ACCPOTDBB173190100 | 25 |

LOCATING PEG



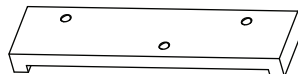
| PRODUCT | THICKNESS | ORDERING INFORMATION | PACKAGING |
|---------|-----------|----------------------|-----------|
| PE30 | 0.8 | ACCPOTLPB153804132 | 20 |

LOCATING PEG

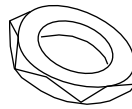


| PRODUCT | THICKNESS | L FROM CENTER | ORDERING INFORMATION | PACKAGING |
|---------|-----------|------------------|----------------------|-----------|
| P11-149 | 0.4 | 6.2 mm (0.244") | ACCPOTERB253651650 | 50 |
| P11-149 | 0.4 | 7.75 mm (0.305") | ACCPOTERB253656660 | 50 |
| P11-149 | 0.8 | 13.5 mm (0.53") | ACCPOTERB253653190 | 50 |

BASE RAISER



| PRODUCT | HEIGHT | ORDERING INFORMATION | PACKAGING |
|---------|--------|----------------------|-----------|
| M43 T18 | 1.6 | ACCTRICAB253850610 | 50 |

NUTS


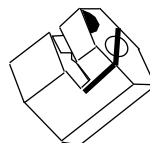
| THICKNESS | WRENCH | BUSHING | ORDERING INFORMATION | PACKAGING |
|--------------------|-----------|---------------|----------------------|-----------|
| Nut H 10 ep. 2.5 | 14 | M10 x 0.75 | ACCPOTECB303404310 | 100 |
| Nut H 7 ep. 2 | 10 | M7 x 0.75 | ACCPOTECB303351680 | 100 |
| Nut H 6 ep. 1.8 | 10 | M6 x 0.75 | ACCPOTECB302005700 | 100 |
| Nut H 6 ep. 1.8 | 8 | M6 x 0.75 | ACCPOTECB303651550 | 100 |
| Nut H 8 ep. 2 | 12 | M8 x 0.75 | ACCPOTECB303652600 | 100 |
| Nut H 10 ep. 2 | 12 | M10 x 0.75 | ACCPOTECB303653200 | 100 |
| Nut H 3/8" ep. 2.5 | 12.5/1/2" | 3/8 32 NEF-2A | ACCPOTECB303653230 | 100 |
| Nut H 1/4" ep. 2 | 8 | 1/4 32 NEF-2A | ACCPOTECB303430230 | 100 |

WASHER


| DIAMETER | BUSHING | ORDERING INFORMATION | PACKAGING |
|---------------------------------|---------------|----------------------|-----------|
| Internal washer JZ Ø 10 or 3/8" | M10 x 0.75 | ACCPOTRDB300685710 | 100 |
| Internal washer JZ Ø 7 | M7 x 0.75 | ACCPOTRDB300683707 | 100 |
| Internal washer JZ Ø 6 | M6 x 0.75 | ACCPOTRDB300683706 | 100 |
| External washer JZ Ø 1/4" | 1/4 32 NEF-2A | ACCPOTRDB003430600 | 100 |
| Internal washer 3/8" | 3/8 32 NEF-2A | ACCPOTRDB300683952 | 100 |

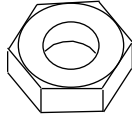
O RING


| TYPE | PRODUCT | DIMENSIONS | ORDERING INFORMATION | PACKAGING |
|--------------------|---------|--------------------------------------|----------------------|-----------|
| Panel O ring toric | PRV6 | Ø int 8 mm/Ø tore 1 mm | ACCPOTJOB303342420 | 100 |
| Panel O ring plate | P16 | Ø ext 13.2 mm/Ø int 9.7 mm/Ep 0.8 mm | ACCPOTJOB303753950 | 100 |
| Panel O ring plate | P11P | Ø ext 12.5 mm/Ø int 9.5 mm/Ep 1.2 mm | ACCPOTJOB303652780 | 100 |

HEXAGONAL LOCKING NUT


| TYPE | LENGTH | WRENCH | Ø SHAFT | ORDERING INFORMATION | PACKAGING |
|-------------------|--------|--------|---------|----------------------|-----------|
| Hex nut M6 x 0.75 | 10 | 10 | 3 | ACCPOTECB253651420 | 50 |



| LOCKING NUT FOR SLOTTED BUSHING | | | | | |
|---|--------|----------------|-------------------|----------------------|-----------|
|  | | | | | |
| TYPE | WRENCH | SHAFT DIAMETER | PRODUCT | ORDERING INFORMATION | PACKAGING |
| Locking nut Ø 6.35 mm | 8 | 3.17 mm | P11 - PRV6/D or E | ACCPOTECB303656590 | 100 |
| Locking nut Ø 6 mm | 8 | 3 mm | P13/O | ACCPOTECB303430400 | 100 |

| GLOBAL PART NUMBER INFORMATION | | | | | | | | | | | | | | | | | |
|---|---|---|---|--|---|---|---|---|---|---|---|-----------------|---|---|---|---|---|
| A | C | C | P | O | T | E | C | B | 3 | 0 | 3 | 4 | 0 | 4 | 3 | 1 | 0 |
| MODEL | | | | STYLE | | | | PACKAGING CODE | | | | SPECIAL NUMBER | | | | | |
| ACCPOT = For potentiometers ACCTRI = For trimmers | | | | EC = Nut ER = Peg CA = Spacer LP = LPRP DB = DBAN JO = Ring DE = Sealing system | | | | B15 = Box of 20 pieces B17 = Box of 25 pieces B25 = Box of 50 pieces B30 = Box of 100 pieces | | | | Given by Vishay | | | | | |

| PART NUMBER DESCRIPTION (for information only) | | | | |
|--|----------|---------|---------|----------------|
| AC | ECR0UH10 | POT | 3404310 | e |
| MODEL | STYLE | SPECIAL | SPECIAL | LEAD (Pb)-FREE |