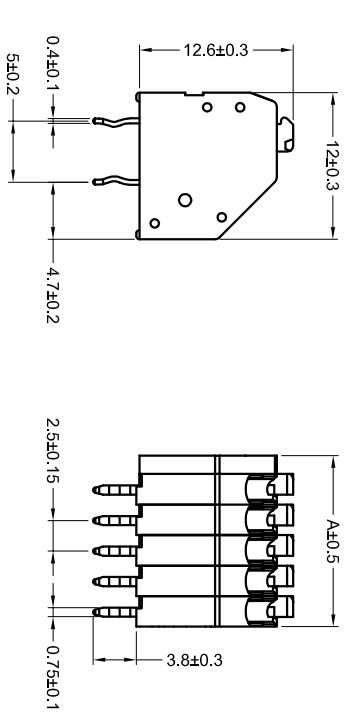
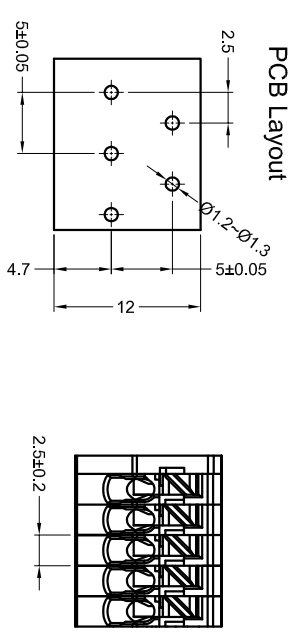


REVISONS		DATE	BY	APP'D
NO.	DESCRIPTION			
A	FIRST VERSION	17/02/04	GF	SM
B	ADD NEW PART No.	27/04/05	GF	SM

NOTES :

- △ MATERIALS AND FINISH:
 - HOUSING: PA66
 - CONTACTS: COPPER ALLOY, FINISH: TIN OVER NICKEL UNDERPLATE
- 2. MUST COMPLY WITH DIRECTIVE 2002/95/EC (ROHS)
- 3. WIRE TYPES AND SIZES ACCEPTED
 WIRE RANGE: 20AWG~26AWG(SOLID&STRANDED)
 STRIP LENGTH: 7.5mm~8.5mm
- 4. PACKAGED IN TRAY.
- 5. CURRENT RATING: 5Amp AC300V.
- 6. OPERATION TEMPERATURE: -40°C TO +105°C



P/N: *-2834021-*

COLOR CODE: _____

SERIES CODE _____

PIN No: _____

- 1=GREEN
- 2=BLUE
- 3=BROWN
- 4=ORANGE
- 5=GREY
- 6=RED
- 7=YELLOW
- 8=PURPLE
- 9=WHITE
- 0=BLACK

REMARK: THE DIFFERENT COLORS COULD BE COMBINED TO THE NEW CONNECTOR P/Ns FOR CUSTOMER REQUEST.

21.50	8 POSN	
19.00	7 POSN	
16.50	6 POSN	
14.00	5 POSN	
11.50	4 POSN	
9.00	3 POSN	
6.50	2 POSN	
A	NO. OF POSITIONS	

THIS DRAWING IS A CONTROLLED DOCUMENT.

DESIGNER	CHKD BY	DATE
SHI MING	SHI MING	27/04/05

2.50mm Pitch Modular Screwless Conn.

SIZE 1 CODE 00779

SCALE 1:1

SHEET 1 OF 1

REV B