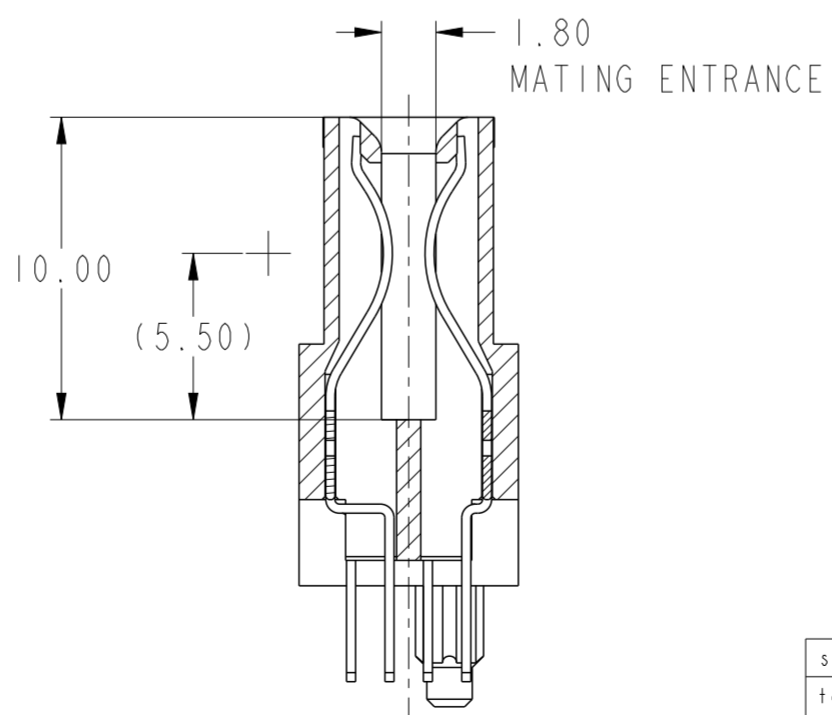


SECTION C-C  
SCALE 4:1

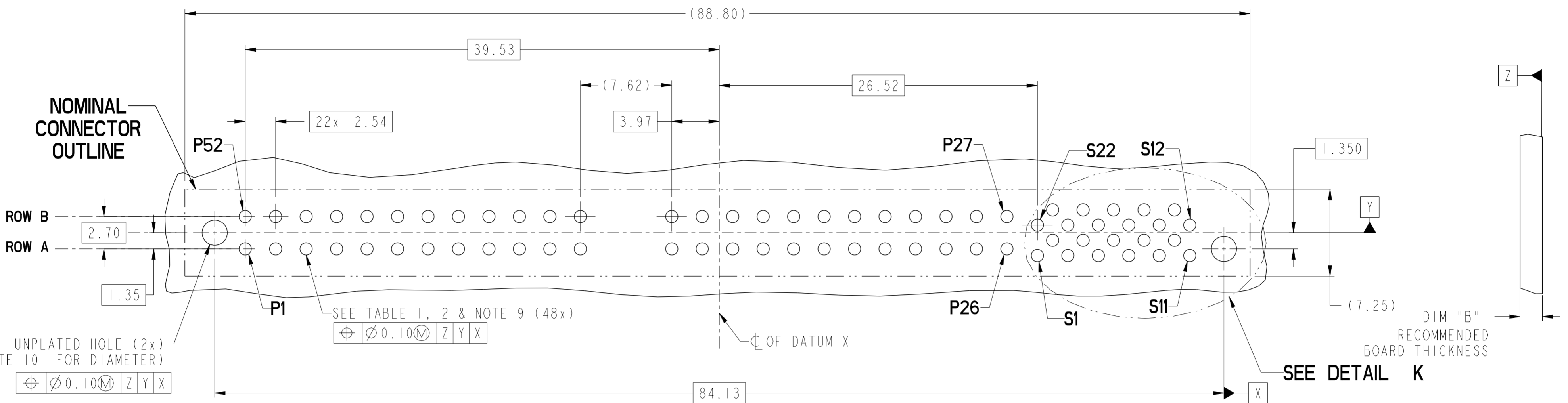


SECTION D-D  
SCALE 4:1

rev	ecn no	dr	date
1	-	ERIC	2013-06-24
-	-	-	-
-	-	-	-
-	-	-	-
-	-	-	-
-	-	-	-

spec ref	-	dr	Eric Jiang	2013/05/15	projection	MM	size	A2	scale	4:1	
tolerance std	ASME Y14.5	eng	Eric Jiang	2013/06/24	chr	-	ecn no	-	rel level	Released	
surface	linear	0.X	±0.5	0.XX	±0.25	0.XXX	±0.10	angular	0°	±2°	
TOLERANCES UNLESS OTHERWISE SPECIFIED		FCI		VERT RECT ASM (52P-22S)		HIGH POWER CARD EDGE		10124028		rev	A
www.fci.com		cat. no.		Product - Customer Drw		sheet 1 of 4					

Copyright FCI. FCI



UNPLATED HOLE (2x)  
(SEE NOTE 10 FOR DIAMETER)

$\varnothing 0.10\text{M}$  Z Y X

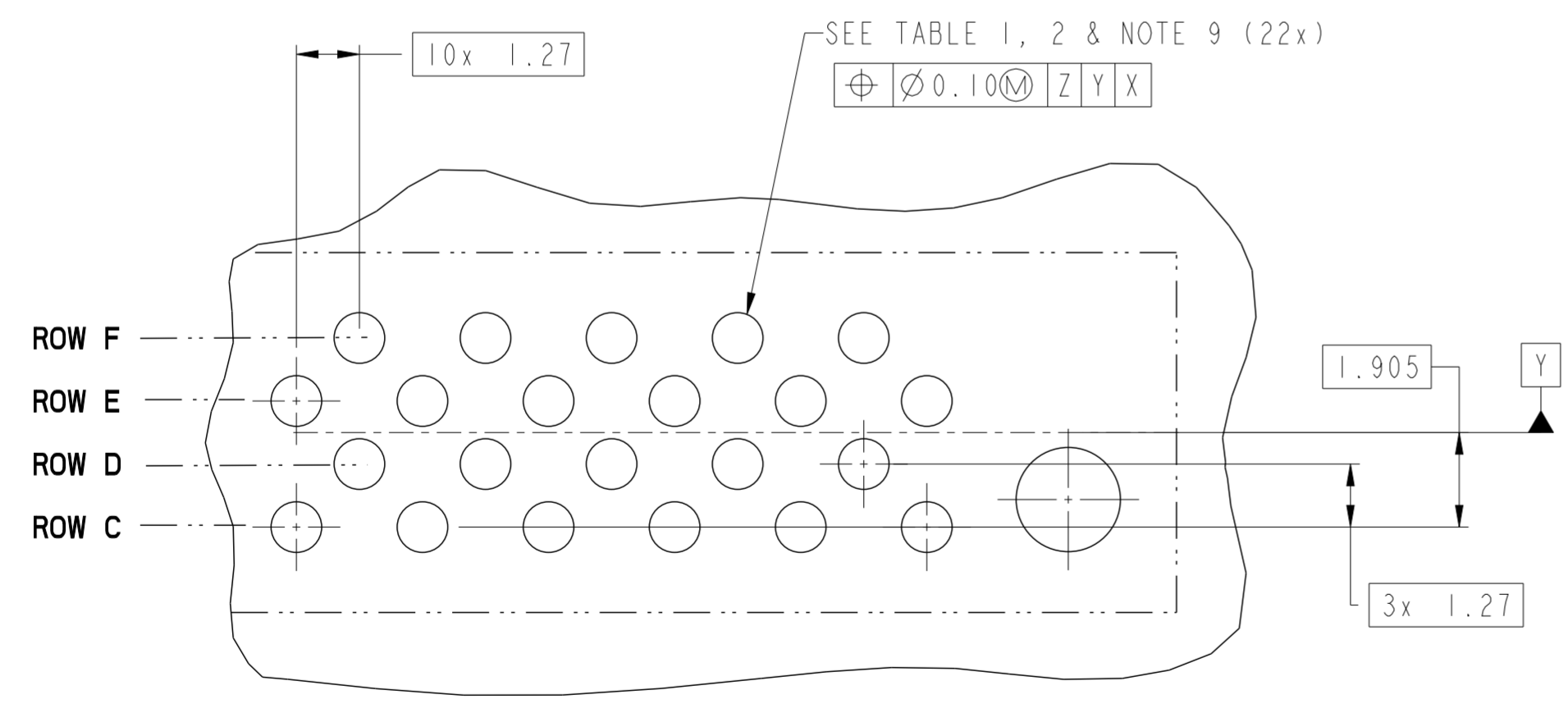
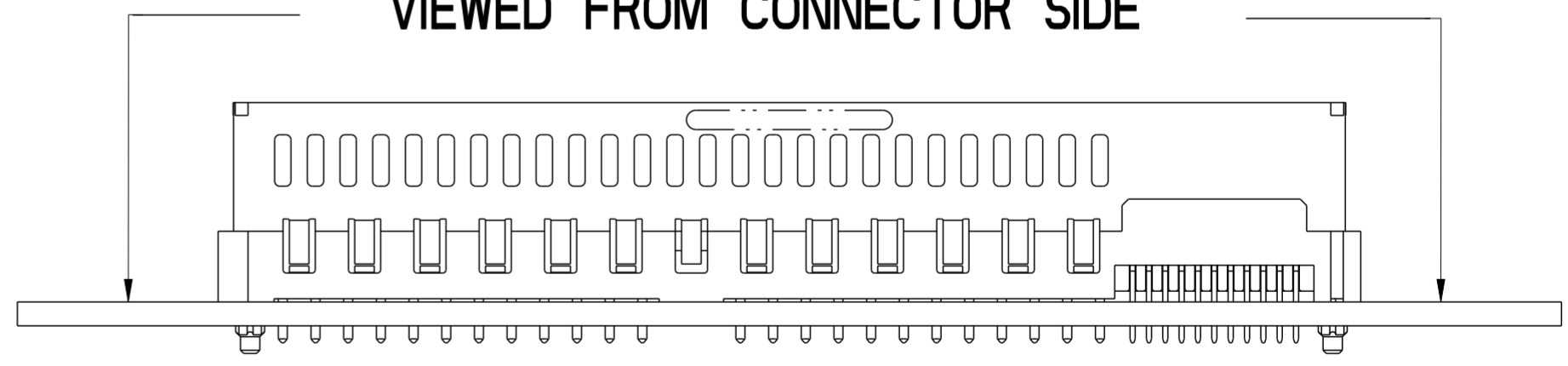
SEE TABLE 1, 2 & NOTE 9 (48x)

$\varnothing 0.10\text{M}$  Z Y X

DIM "B"  
RECOMMENDED  
BOARD THICKNESS

SEE DETAIL K

### RECOMMENDED PCB LAYOUT VIEWED FROM CONNECTOR SIDE

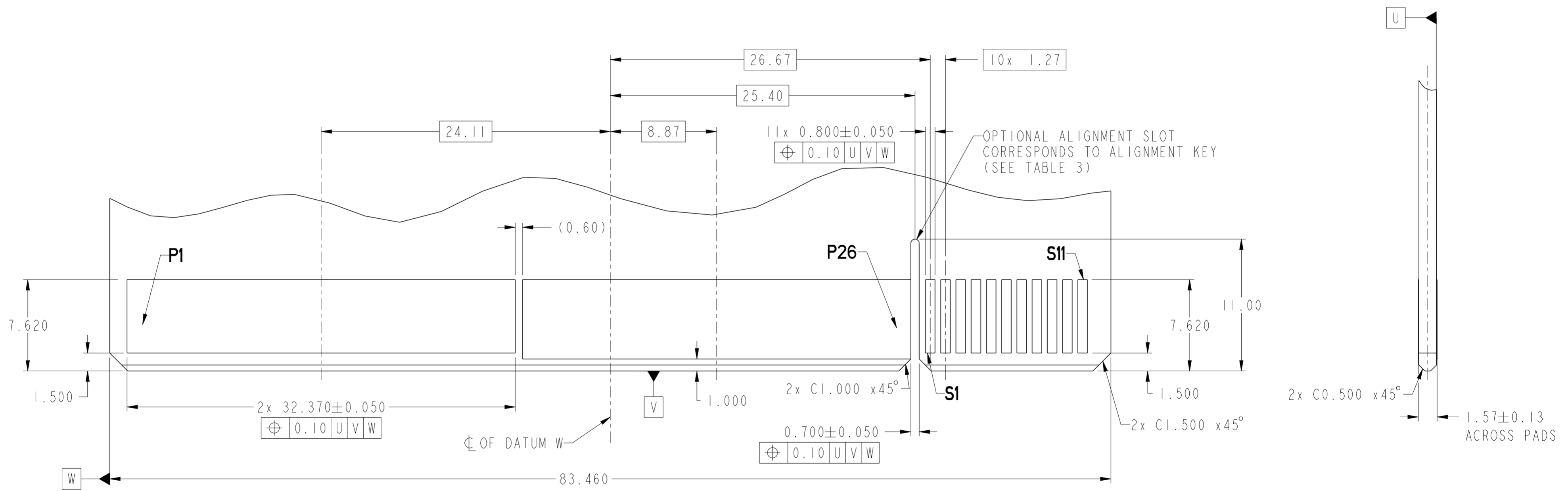


DETAIL K  
SCALE 8:1

dr	Eric Jiang	2013/05/15	projection	MM	size	A2	scale	4:1
eng	Eric Jiang	2013/06/24			ecn no	-	rel level	Released
chr	-	-			cat. no.	-		
appr	Pei-Ming Zheng	2013/06/24	product family	CARD EDGE	rel level	Released		
		TITLE VERT RECT ASM (52P-22S) HIGH POWER CARD EDGE			dwg no 10124028	rev A		

CONTACT TYPE	TOP LAYER DESCRIPTION	TABLE 1 (HPCE / SOLDER TAILS) PLATED THROUGH-HOLE REQUIREMENTS				
		DRILLED HOLE DIAMETER	COPPER THICKNESS	TIN-LEAD THICKNESS	TIN THICKNESS	FINISHED HOLE DIAMETER
POWER & SIGNAL	TIN-LEAD	1.10-1.16 (1.15 DRILL)	0.025 - 0.050	0.005 - 0.015	--	0.94 - 1.10
	IMMERSION TIN	1.10-1.16 (1.15 DRILL)	0.025 - 0.050	--	0.9 - 1.5um	0.94 - 1.10
	COPPER (SEE NOTE 8)	1.10-1.16 (1.15 DRILL)	0.025 - 0.050	--	--	0.94 - 1.10

CONTACT TYPE	TOP LAYER DESCRIPTION	TABLE 2 (HPCE / PRESS-FIT TAILS) PLATED THROUGH-HOLE REQUIREMENTS				
		DRILLED HOLE DIAMETER	COPPER THICKNESS	TIN-LEAD THICKNESS	TIN THICKNESS	FINISHED HOLE DIAMETER
POWER & SIGNAL	TIN-LEAD	0.81-0.86 (0.85 DRILL)	0.025 - 0.050	0.005 - 0.015	--	0.65 - 0.80
	IMMERSION TIN	0.81-0.86 (0.85 DRILL)	0.025 - 0.050	--	0.9 - 1.5um	0.70 - 0.80
	COPPER (SEE NOTE 8)	0.81-0.86 (0.85 DRILL)	0.025 - 0.050	--	--	0.70 - 0.80



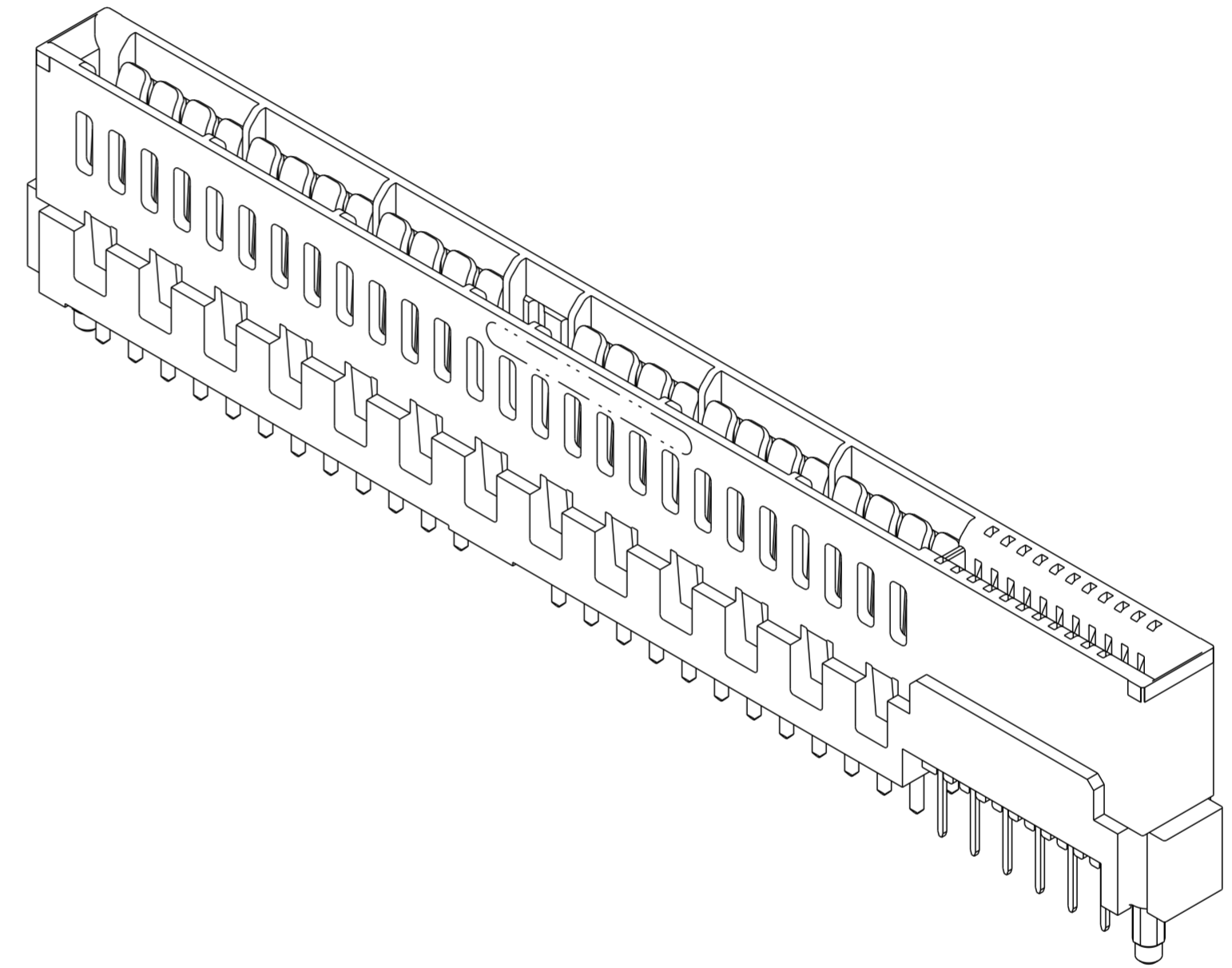
**REFERENCE  
PANDEMONIUM POWER SUPPLY BOARD**

dr	Eric Jiang	2013/05/15	projection	MM	size	A2	scale	4:1
eng	Eric Jiang	2013/06/24			ecn no	-	rel level	Released
chr	-	-						
appr	Pai-Ming Zheng	2013/06/24	product family	CARD EDGE	dwg no	10124028	rev	A
www.fci.com			cat. no.	-	Product - Customer Drw	sheet 3 of 4		

Copyright FCI. FCI

HPCE PART NUMBER (TABLE 3)

PART NUMBER	TAIL TYPE	ALIGNMENT KEY	DIM "A" TYPICAL TAIL LENGTH	DIM "B" RECOMMENDED BOARD THICKNESS
10124028-001LF	SOLDER	YES	3.17 ±0.25	1.59 - 2.38
10124028-002LF	SOLDER	NO		
10124028-003LF	PRESS-FIT	YES	3.17±0.25	1.57 MIN
10124028-004LF	PRESS-FIT	NO		



NOTES:

1. CONNECTOR MATERIALS:  
 HOUSING: HIGH TEMPERATURE THERMAL PLASTIC, BLACK  
 UL 94V-0 COMPLIANT  
 CONTACTS: HIGH PERFORMANCE COPPER ALLOY.
2. CONTACT FINISH REF. GS-12-604 SECTION 5.2.
3. PRODUCT SPECIFICATION: GS-12-604.
4. APPLICATION SPECIFICATION: GS-20-128.
5. PRODUCT MARKING (FCI - PART NUMBER & DATE CODE) ON HOUSING IN AREA SHOWN.
6. PACKAGING MEETS FCI SPECIFICATION GS-14-937.
7. HOUSING COMPONENT WILL WITHSTAND EXPOSURE TO 260°C PEAK TEMPERATURE FOR 60 SECONDS IN A CONVECTION, INFRA-RED, OR VAPOR PHASE REFLOW OVEN.
8. COPPER PLATING THICKNESS IN CENTER OF VIA-HOLE CAN BE NO MORE THAN 0.003 LESS THAN OTHER AREAS.
9. ALL HOLE SIZES ARE FINISHED HOLE SIZES.
10. MOUNTING HOLES ARE UNPLATED  
 Ø 2.40 +/- 0.1 FOR PRESS-FIT TAILS  
 Ø 2.18 +/- 0.03 FOR SOLDER TAILS

dr	Eric Jiang	2013/05/15	projection	MM	size	A2	scale	4:1
eng	Eric Jiang	2013/06/24			ecn no.	-	rel level	
chr	-	-			product family	CARD EDGE	rel level	Released
appr	Pei-Ming Zheng	2013/06/24			title	VERT RECT ASM (52P-22S)		cat. no.
					dwg no.	10124028		rev
					Product - Customer Drw		sheet 4 of 4	A