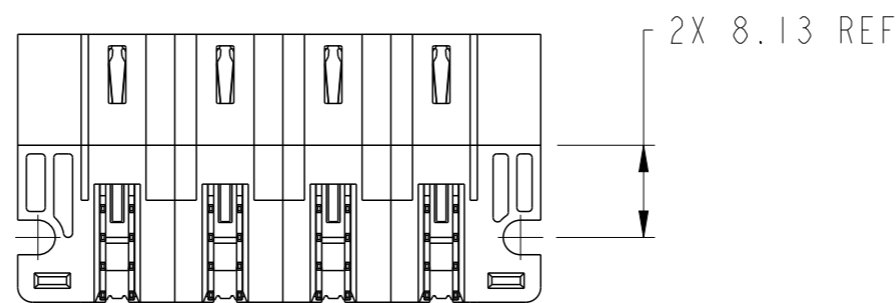
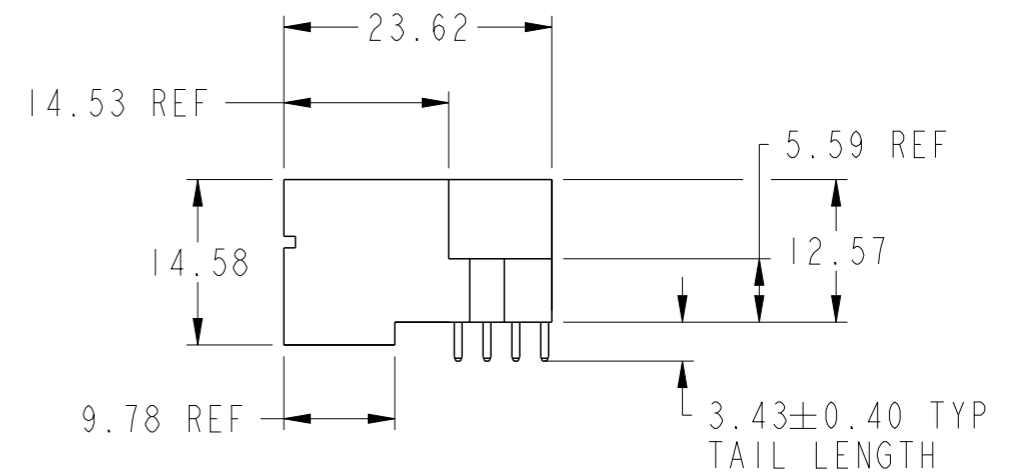
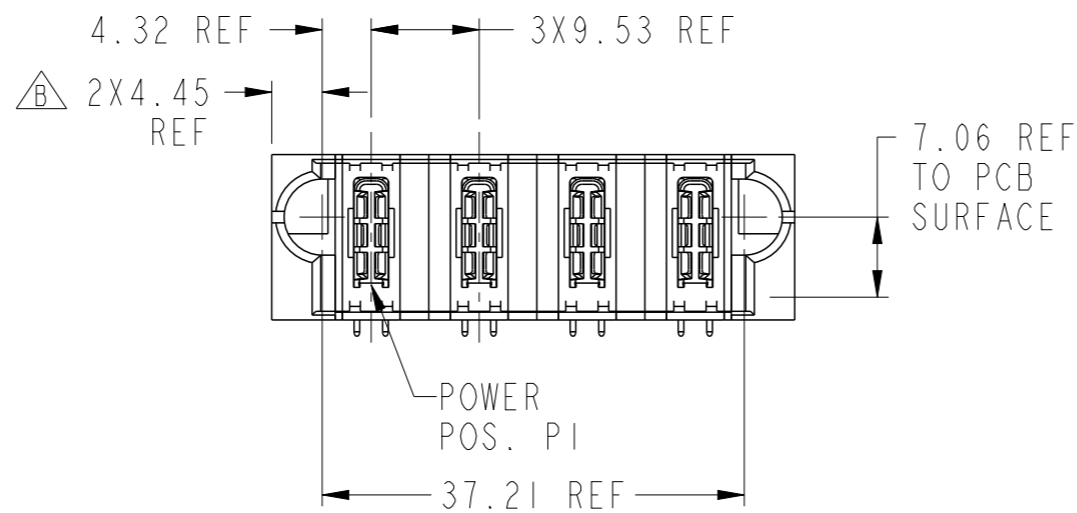
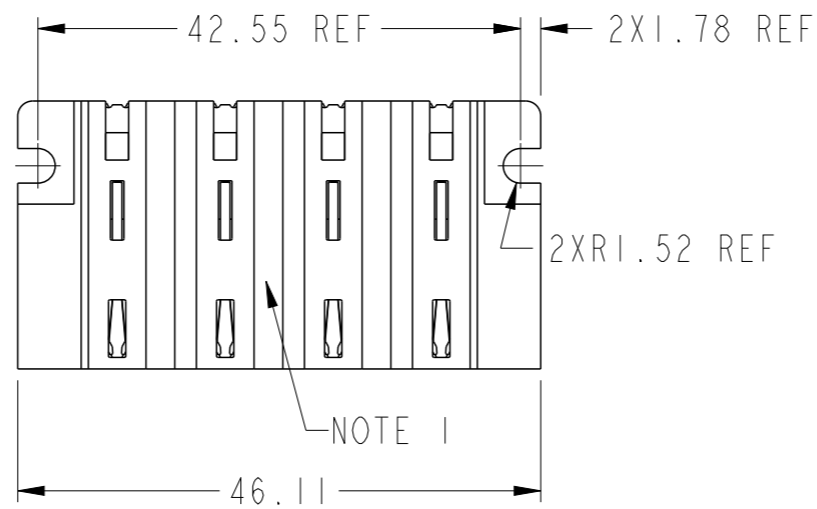


PRODUCT NUMBER SEE SHEET 2

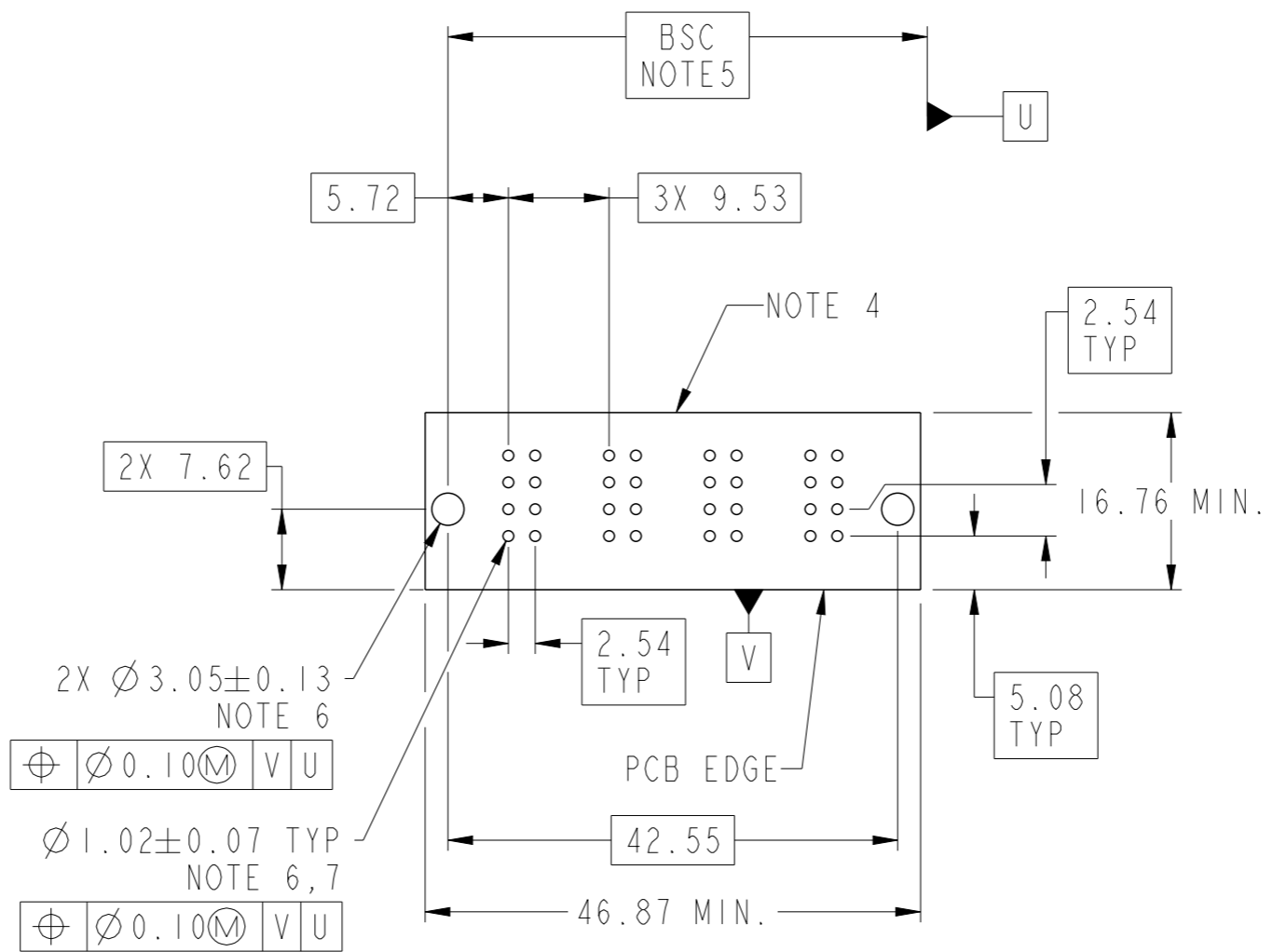


spec ref	*	dr	Peng-Bing Fu	2012/04/25	projection	MM	size	A3	scale	3:2												
tolerance std	ASME Y14.5	eng	Peng-Bing Fu	2012/11/14			ecn no	ELX-DG-013143-1	rel level	Released												
TOLERANCES UNLESS OTHERWISE SPECIFIED		chr	Shao-Qi Kuang	2012/11/15																		
surface	<table border="1"> <tr> <td>linear</td> <td>0.X</td> <td>±0.5</td> </tr> <tr> <td></td> <td>0.XX</td> <td>±0.25</td> </tr> <tr> <td></td> <td>0.XXX</td> <td>±0.10</td> </tr> <tr> <td>angular</td> <td>0°</td> <td>±2°</td> </tr> </table>	linear	0.X	±0.5		0.XX	±0.25		0.XXX	±0.10	angular	0°	±2°	appr	Pei-Ming Zheng	2012/11/15	product family	PwrBlade+	dwg no	10106262-4000001	rev	B
linear	0.X	±0.5																				
	0.XX	±0.25																				
	0.XXX	±0.10																				
angular	0°	±2°																				
www.fci.com		cat. no.		Product - Customer Drw			sheet 1 of 3															



Copyright FCI.

PRODUCT NO.	ROWS	HIGH POWER					E2
		E1	P1	P2	P3	P4	
10106262-4000001LF	DCBA	H1	H1	H1	H1		



Copyright FCI.

CODE	DESCRIPTION
HI	STD HIGH POWER CONTACT (3.43)

dr	Peng-Bing Fu	2012/04/25	projection	MM	size	A3	scale	3:2
eng	Peng-Bing Fu	2012/11/14			ecn no ELX-DG-013143-1			
chr	Shao-Qi Kuang	2012/11/15			product family	PwrBlade+	rel level Released	
appr	Pei-Ming Zheng	2012/11/15						

	title	4ACP	dwg no	10106262-4000001	rev	B
	www.fci.com	cat. no.	Product - Customer Drw		sheet 2 of 3	

NOTES:

- 1) "FCI", PART NUMBER AND DATE CODE TO BE MARKED ON THIS SURFACE.
THE P/N CAN BE OMITTED IF THERE IS NOT ENOUGH SPACE ON THIS SURFACE.
- 2) MATERIALS:
-HOUSING - GLASS FILLED WITH HIGH TEMP THERMOPLASTIC, UL94V-0.
-SIGNAL CONTACT - COPPER ALLOY.
-POWER CONTACT - HIGH CONDUCTIVITY COPPER ALLOY.
- 3) PLATING SPECIFICATION REFER TO FCI 10116351
- 4) DENOTES CONNECTOR KEEP OUT ZONE.
- 5) DATUM AND BASIC DIMENSIONS WERE ESTABLISHED BY CUSTOMER.
- 6) ALL HOLE DIAMETERS ARE FINISHED HOLE SIZES.
- 7) 1.15 ± 0.025 MM DRILLED HOLE PLATED WITH 0.00762MM MIN Sn
OVER 0.0254-0.0762MM Cu PLATING TO ACHIEVE A 1.02 ± 0.07 MM HOLE.
- 8) PRODUCT SPECIFICATION REFER TO FCI GS-12-658.
APPLICATION SPECIFICATION REFER TO FCI GS-20-141.
PRODUCT PACKAGED IN TRAYS, REFER TO FCI GS-14-1502.
- $\triangle B$ 9) A $\triangle B$ SYMBOL WILL BE NEXT TO ANY DIMENSION, VIEW, OR NOTE WHICH HAS BEEN MODIFIED WITH THE CURRENT DRAWING REVISION.



Copyright FCI.

dr	Peng-Bing Fu	2012/04/25	projection 	MM 	size	A3	scale	3:2	
eng	Peng-Bing Fu	2012/11/14			ecn no	ELX-DG-013143-1			
chr	Shao-Qi Kuang	2012/11/15			product family	PwrBlade+	rel level	Released	
appr	Pei-Ming Zheng	2012/11/15					rev	B	
		title 4ACP RA STB HEADER	cat. no. www.fci.com	Product - Customer Drw	dwg no 10106262-4000001	sheet 3 of 3			