

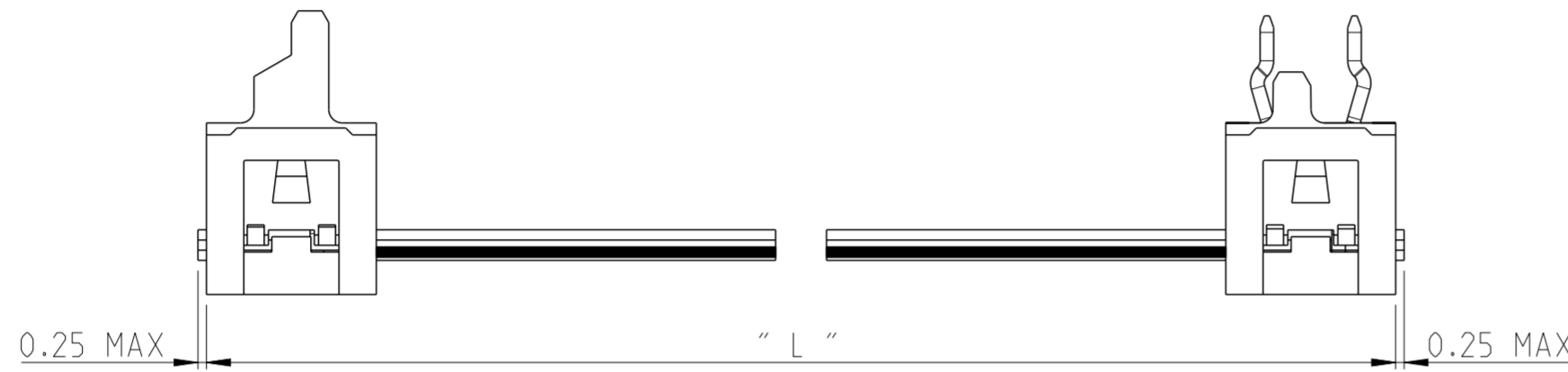
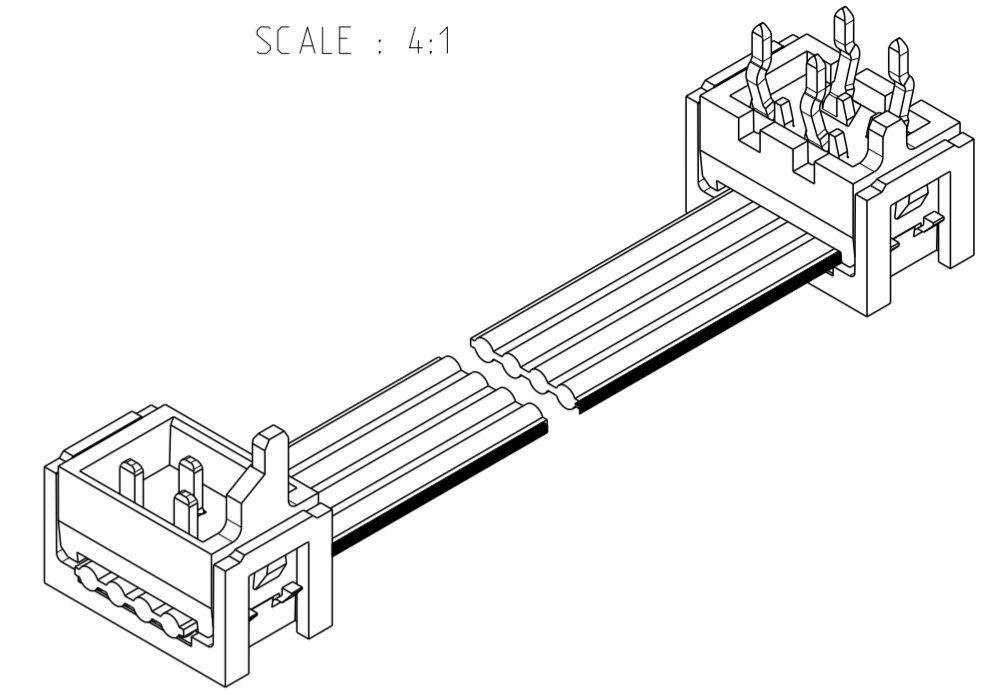
THIS DRAWING IS UNPUBLISHED. RELEASED FOR PUBLICATION 20
 © COPYRIGHT 20 BY - ALL RIGHTS RESERVED.

REVISIONS				
P	LTR	DESCRIPTION	DATE	APVD
	A	INITIAL RELEASE	14OCT2014	RK BvH

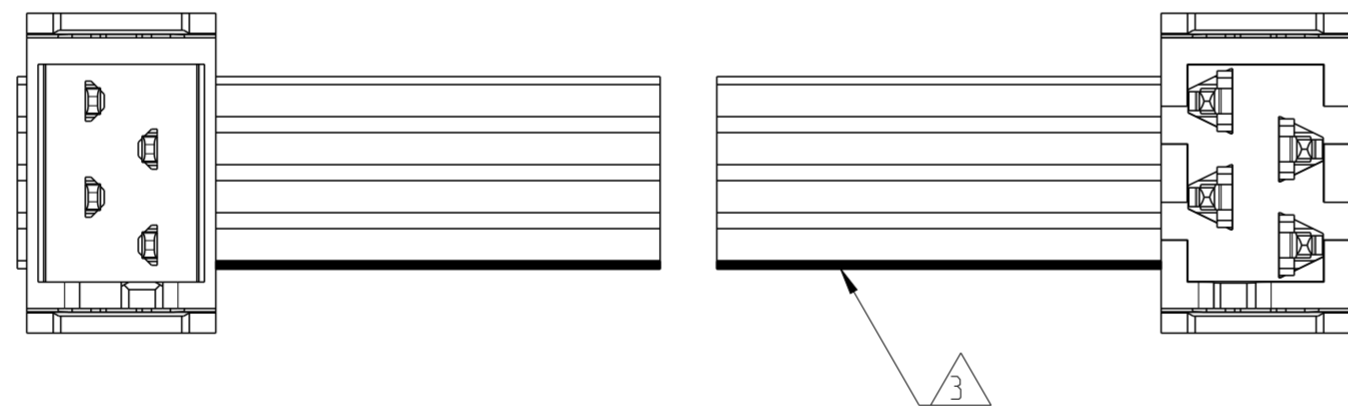
NOTES:

- 1 ASSEMBLIES TO BE TESTED FOR 100% CONTINUITY
- 2 ASSEMBLIES ARE PACKAGED ACCORDING PACKAGING SPEC 107-19582
- 3 RED MARKED CORRESPONDS TO PIN 1
- 4 FOR MOW TO MOW SEE 2205060
- 5 HOUSING COLOR BLACK

SCALE : 4:1



SIDE A



SIDE B

2205112-X (4 POSITION CABLE ASSEMBLY) AS SHOWN

TE PN	POS	LENGTH	DESCRIPTION
2205120-3	20	200	CA MICRO-MATCH MOW -PB 20POS
2205120-2	20	150	CA MICRO-MATCH MOW -PB 20POS
2205120-1	20	75	CA MICRO-MATCH MOW -PB 20POS
2205119-3	18	200	CA MICRO-MATCH MOW -PB 18POS
2205119-2	18	150	CA MICRO-MATCH MOW -PB 18POS
2205119-1	18	75	CA MICRO-MATCH MOW -PB 18POS
2205118-3	16	200	CA MICRO-MATCH MOW -PB 16POS
2205118-2	16	150	CA MICRO-MATCH MOW -PB 16POS
2205118-1	16	75	CA MICRO-MATCH MOW -PB 16POS
2205117-3	14	200	CA MICRO-MATCH MOW -PB 14POS
2205117-2	14	150	CA MICRO-MATCH MOW -PB 14POS
2205117-1	14	75	CA MICRO-MATCH MOW -PB 14POS
2205116-3	12	200	CA MICRO-MATCH MOW -PB 12POS
2205116-2	12	150	CA MICRO-MATCH MOW -PB 12POS
2205116-1	12	75	CA MICRO-MATCH MOW -PB 12POS
2205115-3	10	200	CA MICRO-MATCH MOW -PB 10POS
2205115-2	10	150	CA MICRO-MATCH MOW -PB 10POS
2205115-1	10	75	CA MICRO-MATCH MOW -PB 10POS
2205114-3	8	200	CA MICRO-MATCH MOW -PB 8POS
2205114-2	8	150	CA MICRO-MATCH MOW -PB 8POS
2205114-1	8	75	CA MICRO-MATCH MOW -PB 8POS
2205113-3	6	200	CA MICRO-MATCH MOW -PB 6POS
2205113-2	6	150	CA MICRO-MATCH MOW -PB 6POS
2205113-1	6	75	CA MICRO-MATCH MOW -PB 6POS
2205112-3	4	200	CA MICRO-MATCH MOW -PB 4POS
2205112-2	4	150	CA MICRO-MATCH MOW -PB 4POS
2205112-1	4	75	CA MICRO-MATCH MOW -PB 4POS

THIS DRAWING IS A CONTROLLED DOCUMENT.

DWN RAVINDRA K 14OCT2014
 CHK B. VELDHOVEN 14OCT2014
 APVD G. DOREMALEN VAN 14OCT2014

STE TE Connectivity

NAME: CABLE ASSY MICRO-MATCH MOW -PB VALUE-LINE

PRODUCT SPEC: -
 APPLICATION SPEC: -
 WEIGHT: -

SIZE: A2 CAGE CODE: - DRAWING NO: C-2205112 RESTRICTED TO: -
 SCALE: 5:1 SHEET 1 OF 1 REV A

Customer Drawing