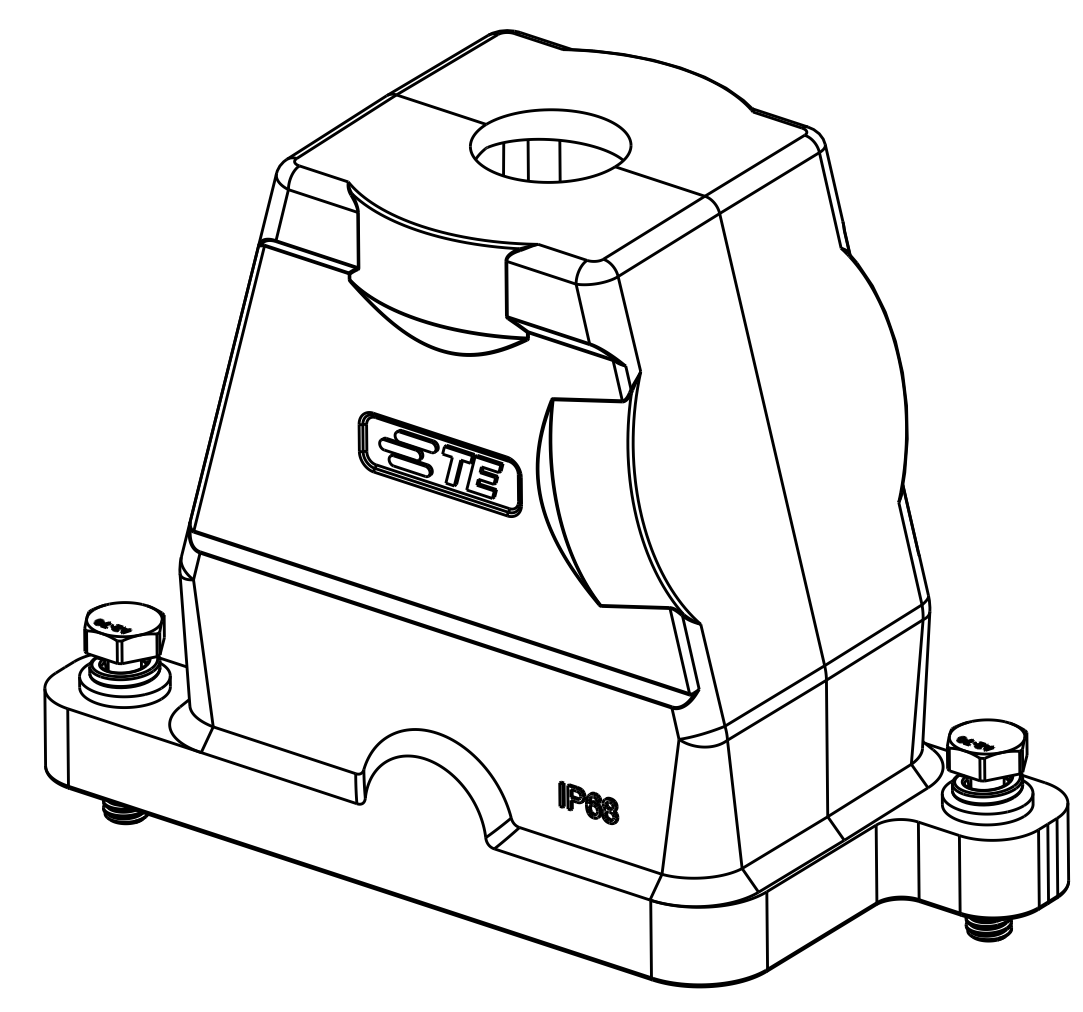
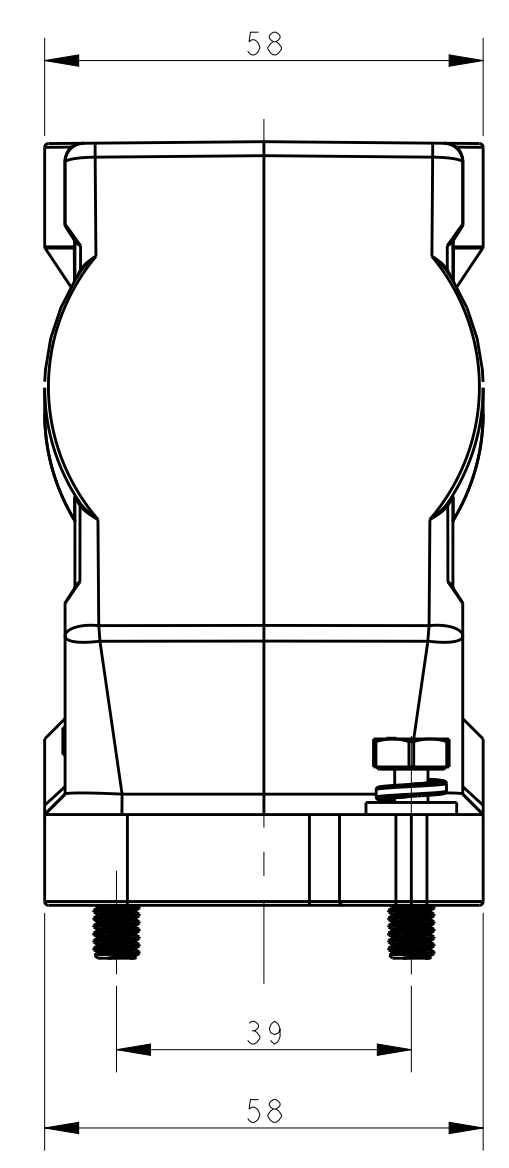
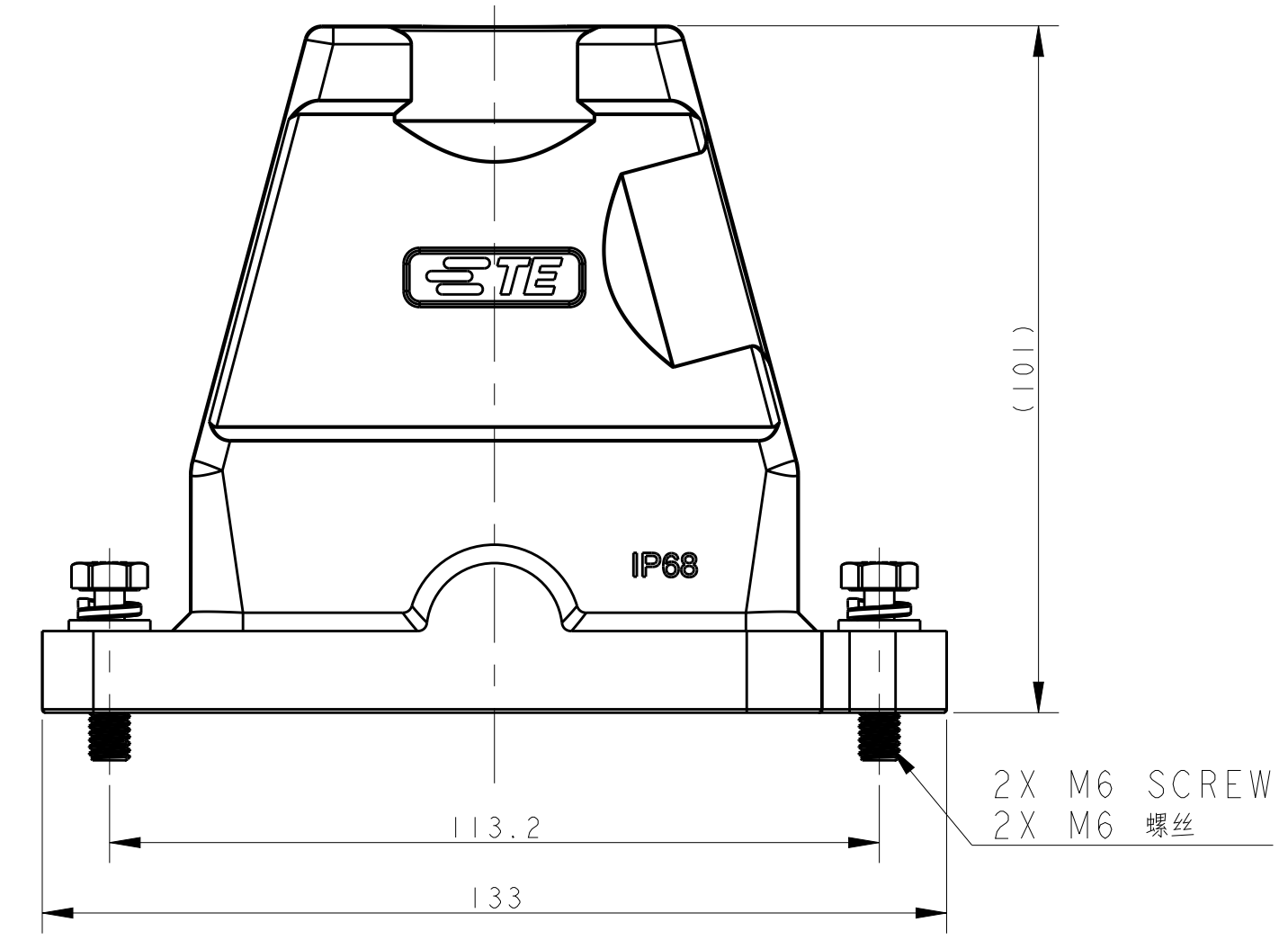
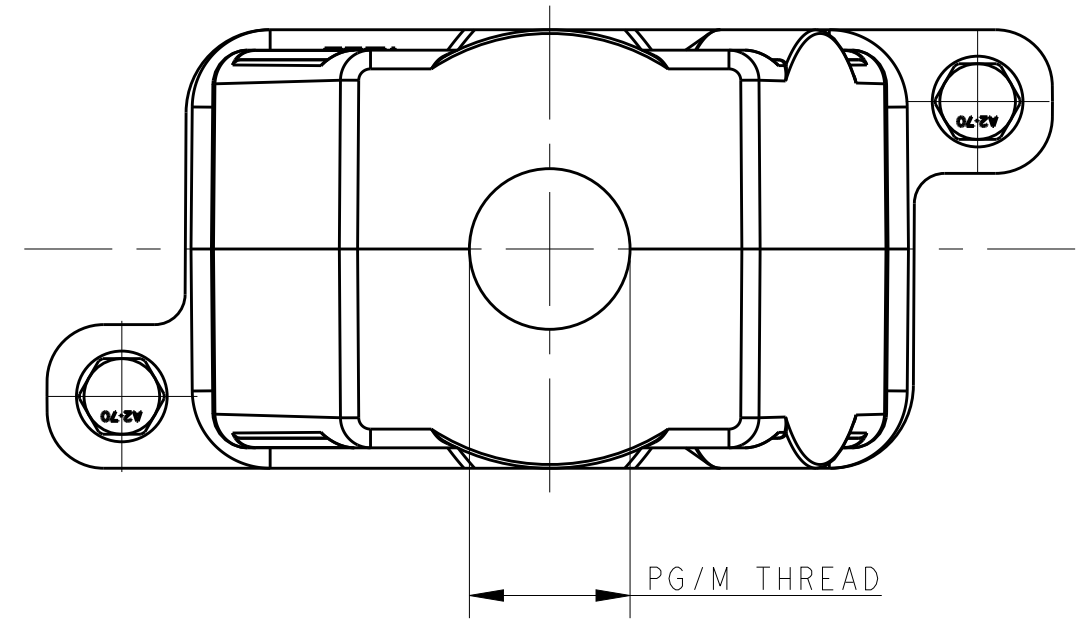
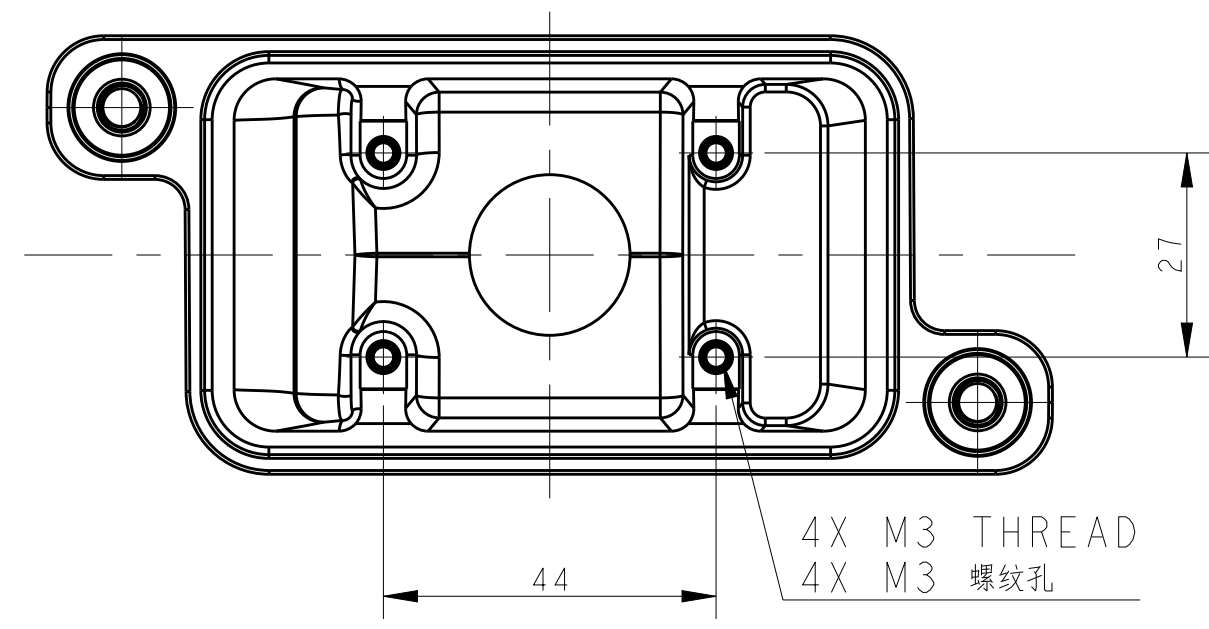


REVISIONS				
P.	LTN	DESCRIPTION	DATE	APVD
A		INITIAL RELEASE	24SEP2016	DW CW



NOTES:  
 1. TECHNICAL CHARACTERISTICS:  
 HOOD MATERIAL: DIE CAST ALUMINIUM ALLOY  
 SURFACE: SEE TABLE  
 DEGREE OF PROTECTION: IP68 (MATED)

注释:  
 1. 技术参数:  
 壳体材料: 铝合金  
 表面处理: 见表格  
 防护等级: IP68 (配合)



PART NUMBER	料号	描述	PG/M THREAD
T1920062140-009	H6BPR-TGH-M40-EMC-C	H6BPR HOOD, DIAGONAL LOCKING, TOP ENTRY M40, POWDER COATED,GREY H6BPR对角锁定顶出上壳M40 灰色	M40
T1920062132-009	H6BPR-TGH-M32-EMC-C	H6BPR HOOD, DIAGONAL LOCKING, TOP ENTRY M32, POWDER COATED,GREY H6BPR对角锁定顶出上壳M32 灰色	M32
T1920062129-009	H6BPR-TGH-PG29-EMC-C	H6BPR HOOD, DIAGONAL LOCKING, TOP ENTRY PG29, POWDER COATED,GREY H6BPR对角锁定顶出上壳PG29 灰色	PG29
T1920062125-009	H6BPR-TGH-M25-EMC-C	H6BPR HOOD, DIAGONAL LOCKING, TOP ENTRY M25, POWDER COATED,GREY H6BPR对角锁定顶出上壳M25 灰色	M25
T1920062121-009	H6BPR-TGH-PG21-EMC-C	H6BPR HOOD, DIAGONAL LOCKING, TOP ENTRY PG21, POWDER COATED,GREY H6BPR对角锁定顶出上壳PG21 灰色	PG21
T1920062120-009	H6BPR-TGH-M20-EMC-C	H6BPR HOOD, DIAGONAL LOCKING, TOP ENTRY M20, POWDER COATED,GREY H6BPR对角锁定顶出上壳M20 灰色	M20
T1920062116-009	H6BPR-TGH-PG16-EMC-C	H6BPR HOOD, DIAGONAL LOCKING, TOP ENTRY PG16, POWDER COATED,GREY H6BPR对角锁定顶出上壳PG16 灰色	PG16
T1920061140-009	H6BPR-TGH-M40-EMC-C	H6BPR HOOD, DIAGONAL LOCKING, TOP ENTRY M40, POWDER COATED,SILVER WHITE H6BPR对角锁定顶出上壳M40 银白色	M40
T1920061132-009	H6BPR-TGH-M32-EMC-C	H6BPR HOOD, DIAGONAL LOCKING, TOP ENTRY M32, POWDER COATED,SILVER WHITE H6BPR对角锁定顶出上壳M32 银白色	M32
T1920061129-009	H6BPR-TGH-PG29-EMC-C	H6BPR HOOD, DIAGONAL LOCKING, TOP ENTRY PG29, POWDER COATED,SILVER WHITE H6BPR对角锁定顶出上壳PG29 银白色	PG29
T1920061125-009	H6BPR-TGH-M25-EMC-C	H6BPR HOOD, DIAGONAL LOCKING, TOP ENTRY M25, POWDER COATED,SILVER WHITE H6BPR对角锁定顶出上壳M25 银白色	M25
T1920061121-009	H6BPR-TGH-PG21-EMC-C	H6BPR HOOD, DIAGONAL LOCKING, TOP ENTRY PG21, POWDER COATED,SILVER WHITE H6BPR对角锁定顶出上壳PG21 银白色	PG21
T1920061120-009	H6BPR-TGH-M20-EMC-C	H6BPR HOOD, DIAGONAL LOCKING, TOP ENTRY M20, POWDER COATED,SILVER WHITE H6BPR对角锁定顶出上壳M20 银白色	M20
T1920061116-009	H6BPR-TGH-PG16-EMC-C	H6BPR HOOD, DIAGONAL LOCKING, TOP ENTRY PG16, POWDER COATED,SILVER WHITE H6BPR对角锁定顶出上壳PG16 银白色	PG16
T1920060140-009	H6BPR-TGH-M40-EMC-C	H6BPR HOOD, DIAGONAL LOCKING, TOP ENTRY M40, POWDER COATED,BLACK H6BPR对角锁定顶出上壳M40 黑色	M40
T1920060132-009	H6BPR-TGH-M32-EMC-C	H6BPR HOOD, DIAGONAL LOCKING, TOP ENTRY M32, POWDER COATED,BLACK H6BPR对角锁定顶出上壳M32 黑色	M32
T1920060129-009	H6BPR-TGH-PG29-EMC-C	H6BPR HOOD, DIAGONAL LOCKING, TOP ENTRY PG29, POWDER COATED,BLACK H6BPR对角锁定顶出上壳PG29 黑色	PG29
T1920060125-009	H6BPR-TGH-M25-EMC-C	H6BPR HOOD, DIAGONAL LOCKING, TOP ENTRY M25, POWDER COATED,BLACK H6BPR对角锁定顶出上壳M25 黑色	M25
T1920060121-009	H6BPR-TGH-PG21-EMC-C	H6BPR HOOD, DIAGONAL LOCKING, TOP ENTRY PG21, POWDER COATED,BLACK H6BPR对角锁定顶出上壳PG21 黑色	PG21
T1920060120-009	H6BPR-TGH-M20-EMC-C	H6BPR HOOD, DIAGONAL LOCKING, TOP ENTRY M20, POWDER COATED,BLACK H6BPR对角锁定顶出上壳M20 黑色	M20
T1920060116-009	H6BPR-TGH-PG16-EMC-C	H6BPR HOOD, DIAGONAL LOCKING, TOP ENTRY PG16, POWDER COATED,BLACK H6BPR对角锁定顶出上壳PG16 黑色	PG16

THIS DRAWING IS A CONTROLLED DOCUMENT. DWN DAVID WANG 24SEP2016  
 CHK CHRIS WANG 24SEP2016  
 APVD YI LANG XU 24SEP2016

**STE** TE Connectivity

NAME: H6BPR-TGH-PG/M-EMC-C

PRODUCT SPEC: 108-137191  
 APPLICATION SPEC: 114-137191

SIZE: A1 CAGE CODE: - DRAWING NO: C-T192006XXXXX09 RESTRICTED TO: -  
 WEIGHT: -  
 CUSTOMER DRAWING SCALE: 1:1 SHEET: 1 OF 1 REV: A