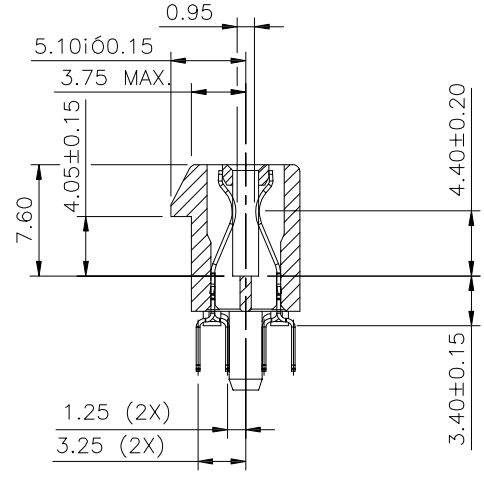
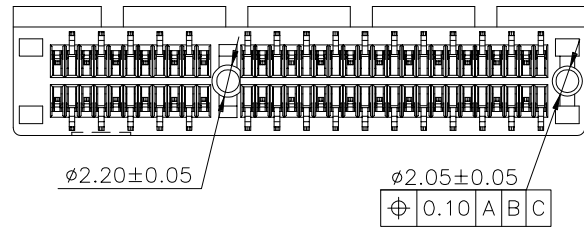
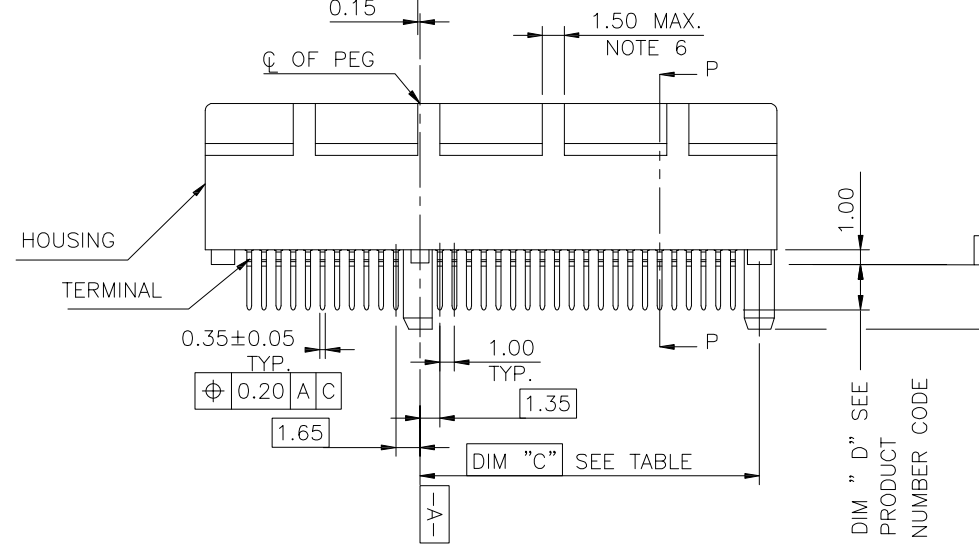
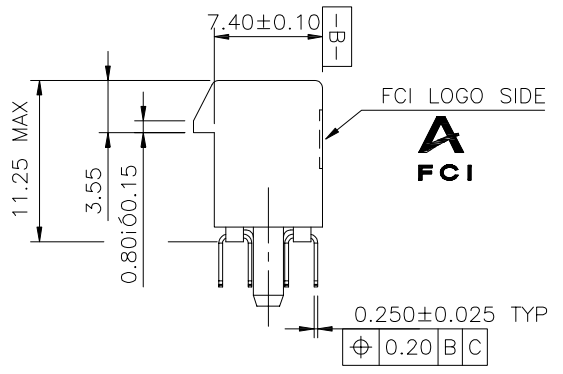


PRODUCT NO.
10018784-X0XXXX



SECTION P-P

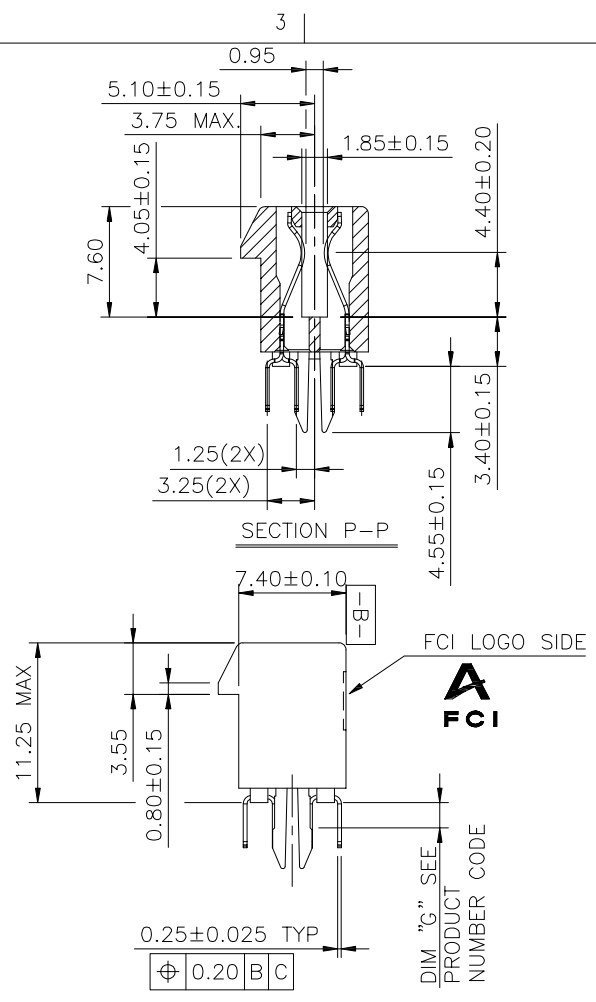


PLASTIC PEG TYPE

CONFIDENTIAL

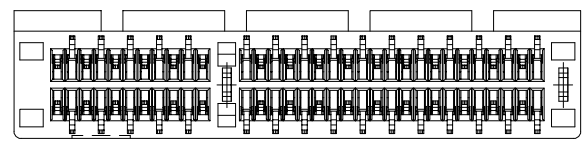
mat'l. code				tolerances unless otherwise specified			CUSTOMER COPY		FCI www.fciconnect.com		
ltr	ecn no	dr	date	linear	.X ± 0.30		projection	title			
M	T05-0124	M W	06/07/05		.XX ± 0.20			PCI EXPRESS GEN3 CARD EDGE ASSY			
N	T05-0153	M W	07/12/05		.XXX ± 0.10						
P	T05-0208	M W	09/15/05	angles	0° ±2°		MM	product family			
R	T06-0206	R C	12/01/06	dr	STONE LI	05/27/15		EDGE CARD		code	
S	ELX-DG-2161-1	S T	05/27/15	enrg	STONE LI	05/27/15		size dwg no		TWN	
				chr	/	/	scale	A4			
				appd	PM ZHENG	05/27/15		2:1		10018784	
sheet index	revision sheet	S 1	S 2	S 3	S 4	S 5	S 6	cage code			
								22526			

PRODUCT NO.
10018784-X1XXXX



METAL BOARD LOCKS TYPE

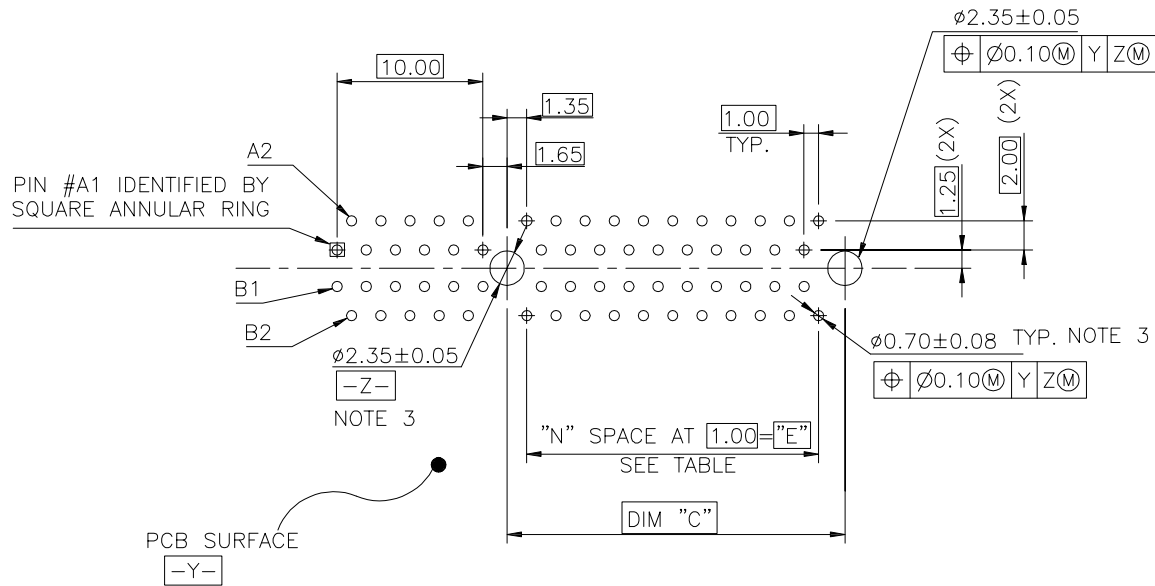
CONFIDENTIAL



mat'l. code				tolerances unless otherwise specified		CUSTOMER COPY	
ltr	ecn no	dr	date	linear	.X ± 0.30	projection	
				angles	.XX ± 0.20	MM	
				dr	.XXX ± 0.10	scale	
				enr	0° ±2°	2:1	
				chr	dr STONE LI 05/27/15		
				appd	enr STONE LI 05/27/15		
					chr / /		
					appd PM ZHENG 05/27/15		
sheet index	revision sheet						

 www.fciconnect.com		title PCI EXPRESS GEN3 CARD EDGE ASSY	
product family	EDGE CARD	code	TWN
size	dwg no	sheet	2 of
A4	10018784		


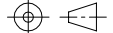
cage code
22526



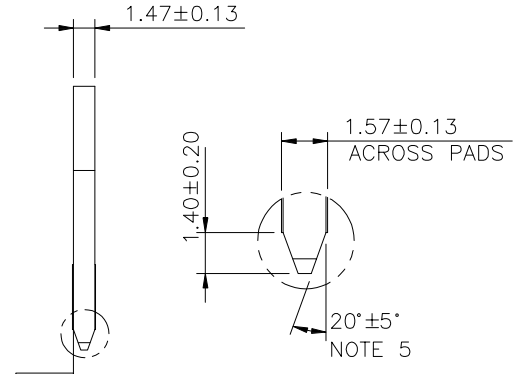
← I/O PANEL DIRECTION

RECOMMENDED FOOTPRINT

CONFIDENTIAL

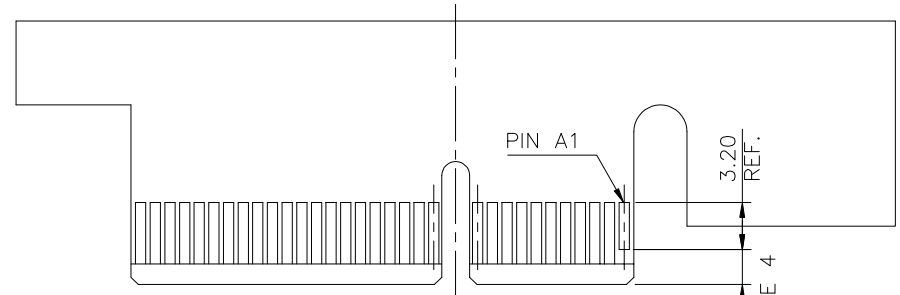
mat'l. code				tolerances unless otherwise specified			CUSTOMER COPY		 www.fciconnect.com		
ltr	ecn no	dr	date	linear	.X ±		projection	title			
					.XX ±			PCI EXPRESS GEN3			
					.XXX ±			CARD EDGE ASS'Y			
				angles	0° ±2°		 MM	product family		code	
				dr	STONE LI	05/27/15		EDGE CARD		TWN	
				enr	STONE LI	05/27/15	size dwg no		sheet		
				chr	/	/	A4 10018784		3 of		
				appd	PM ZHENG	05/27/15	scale				
sheet index		revision sheet					2:1				

cage code
22526



SCALE 2:1

I/O PANEL DIRECTION
PRIMARY (COMPONENT) SIDE



I/O PANEL DIRECTION
SECONDARY (SOLDER) SIDE

ADD-IN CARD EDGE-FINGER DIMENSIONS

CONFIDENTIAL

#	POS	REF.	N	DIM "G"	"F"
36	6		6	8.15	B17
64	20		20	22.15	B31
98	37		37	39.15	B48
164	70		70	72.15	B81

PIN "F" SEE TABLE 2.40±0.10
NOTE 4

mat'l. code				tolerances unless otherwise specified		CUSTOMER COPY	 www.fciconnect.com	
ltr	ecn no	dr	date	linear	.X ±			
					.XX ±	projection	title	PCI EXPRESS GEN3 CARD EDGE ASS'Y
				angles	.XXX ±			
					0° ±2°	 MM	product family EDGE CARD	code TWN
				dr	STONE LI 05/27/15			
				enr	STONE LI 05/27/15	scale 2:1	size A4	dwg no 10018784
				chr	/ /			
				appd	PM ZHENG 05/27/15			sheet 4 of
sheet index	revision							
	sheet							

cage code
22526

NOTES:

1.MATERIAL:

HOUSING: NYLON, GLASS FILLED UL94V-0 RATE, SUITABLE FOR WAVE SOLDERING.

TERMINAL: COPPER ALLOY

PLATING: 50u" NICKEL UNDERPLATE ALL OVER CONTACT AREA PLATING - SEE PRODUCT NUMBER CODE SOLDER TAIL: TIN/LEAD (90/10) - SEE PRODUCT NUMBER CODE 100u" MIN. OVER 50u" NICKEL

METAL BOARD LOCKS: COPPER ALLOY FINISH: 100u" TIN/LEAD (90/10) OVER 50u" NICKEL UNDERPLATE SEE PRODUCT NUMBER CODE

2.PRODUCT SPECIFICATION: GS-12-233

③THE HORIZONTAL AXIS FOR THE HOLE PATTERN IS ESTABLISHED BY A LINE THROUGH THE CENTER OF THE TWO Ø2.35 HOLES. THE VERTICAL AXIS IS 90° TO THE HORIZONTAL AXIS, THROUGH THE CENTER OF DATUM Z.

④NO TIE BAR PERMITTED FROM CARD EDGE TO LEADING EDGE OF PAD FOR PINS A1 AND PIN NUMBERS "F".

⑤CHAMFER EDGES MUST BE FREE OF CUTTING BURRS.

⑥FREQUENCY & LOCATION AT SUPPLIER DISCRETION. RIDGE MAY BE CONTINUOUS WITH NO BREAKS.

7.RoHS COMPATIBLE PRODUCT SPECIFICATIONS

a - PLATING:

- "LF" MEANS THE PRODUCT IS LEAD-FREE, 2um MINIMUM MATTE TIN OVER 1.27um MINIMUM NICKEL UNDERPLATE.

b - MANUFACTURING PROCESS COMPATIBILITY

- THE HOUSING WILL WITHSTAND EXPOSURE TO 260°C±5°C SOLDER BATH TEMPERATURE FOR 5 SECONDS IN A WAVE SOLDER APPLICATION WITH A 1.6mm MIN THICK CIRCUIT BOARD. - THE HOUSING WILL WITHSTAND EXPOSURE TO 240°C±5°C SOLDER BATH TEMPERATURE FOR 5 SECONDS IN A WAVE SOLDER APPLICATION WITH A 1.6mm MIN THICK CIRCUIT BOARD.(For 10018784-X 0 X X X X(X X) options)

CONNECTOR	# POS REF.	N	DIM "A"	DIM "B"	DIM "C"	"E"
1 PORT	36	6	7.65	25.00	9.15	6.00
4 PORT	64	20	21.65	39.00	23.15	20.00
8 PORT	98	37	38.65	56.00	40.15	37.00
16 PORT	164	70	71.65	89.00	73.15	70.00

PRODUCT NUMBER CODE
10018784-X X X X X X □ □

HOUSING COLOR OPTIONS

- 0-WHITE
- 1-BLACK

PEGS OPTIONS

- 0-PLASTIC PEGS
- 1-METAL BOARD LOCKS

TERMINAL PLATING OPTIONS

- 0-50u" Ni UNDERPLATE 30u" Au CONTACT AREA 100u" TIN TAIL AREA ----- COMPATIBLE RoHS
- 1-50u" Ni UNDERPLATE 15u" Au CONTACT AREA 100u" TIN TAIL AREA ----- COMPATIBLE RoHS
- 2-50u" Ni UNDERPLATE GOLD FLASH CONTACT AREA 100u" TIN TAIL AREA ----- COMPATIBLE RoHS
- 3-50u" Ni UNDERPLATE 30u" Au CONTACT AREA 100u" TIN/LEAD TAIL AREA ----- INCOMPLIANT RoHS
- 4-50u" Ni UNDERPLATE 15u" Au CONTACT AREA 100u" TIN/LEAD TAIL AREA ----- INCOMPLIANT RoHS
- 5-50u" Ni UNDERPLATE GOLD FLASH CONTACT AREA 100u" TIN/LEAD TAIL AREA ----- INCOMPLIANT RoHS

LEAD FREE OPTION

LEAVE BLANK FOR TERMINAL PLATING 3,4,5 "LF" FOR TERMINAL PLATING OPTION 0,1,2

POS OPTIONS

- 0-36
- 1-64
- 2-98
- 3-164



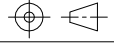
PACKAGING OPTIONS

T-TRAY PACKAGING M-TRAY PACKAGING & MYLAR TAPE FOR PICK-N-PLACE. SEE FIGURE 1

TAIL LENGTH OPTIONS

	DIM "D"	PCB THICKNESS	BOARD LOCKS DIM"G"
0	2.30 ±0.25 ±0.13	1.56±0.10	1.70±0.15
1	3.10 ±0.25 ±0.13	2.36±0.10	2.50±0.15

CONFIDENTIAL


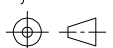
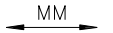
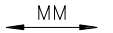
mat'l. code				tolerances unless otherwise specified			CUSTOMER COPY		 www.fciconnect.com		
ltr	ecn no	dr	date	linear	.X ±		projection	title			
					.XX ±			PCI EXPRESS GEN3 CARD EDGE ASS'Y 			
					.XXX ±						
				angles	0° ±2°		 MM	product family		code	
				dr	STONE LI	05/27/15		EDGE CARD		TWN	
				enr	STONE LI	05/27/15		size	dwg no	sheet	
				chr	/	/		10018784		5 of	
				appd	PM ZHENG	05/27/15	scale	A4			
sheet index	revision sheet										

cage code
22526



FIGURE 1

CONFIDENTIAL

mat'l. code				tolerances unless otherwise specified			CUSTOMER COPY	 www.fciconnect.com		
ltr	ecn no	dr	date	linear	.X ± 0.25	projection				
					.XX ± 0.13		title			
				angles	.XXX ± 0.05		PCI EXPRESS GEN3 CARD EDGE ASS'Y 			
				dr	STONE LI	05/27/15	 MM	product family		code
				enr	STONE LI	05/27/15		EDGE CARD		TWN
				chr	/	/	scale	size dwg no		sheet
				appd	PM ZHENG	05/27/15		1.5:1	A4	10018784
sheet index		revision sheet								

cage code 22526