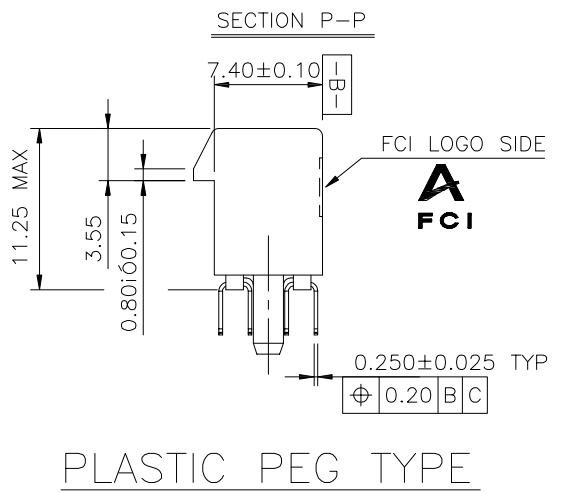
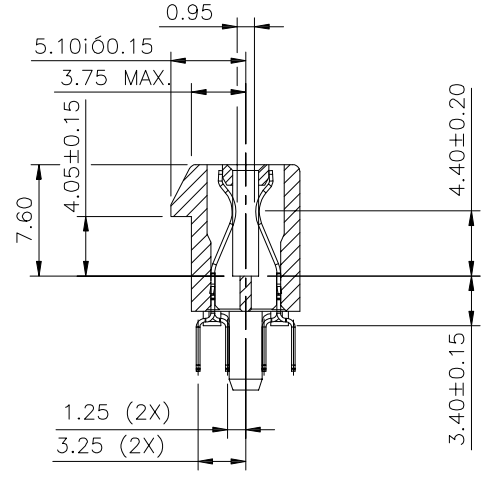
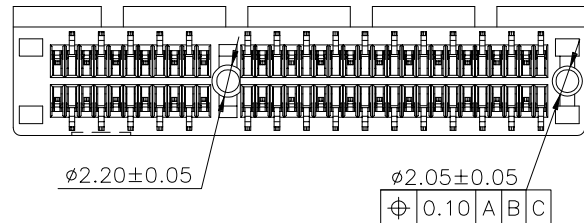
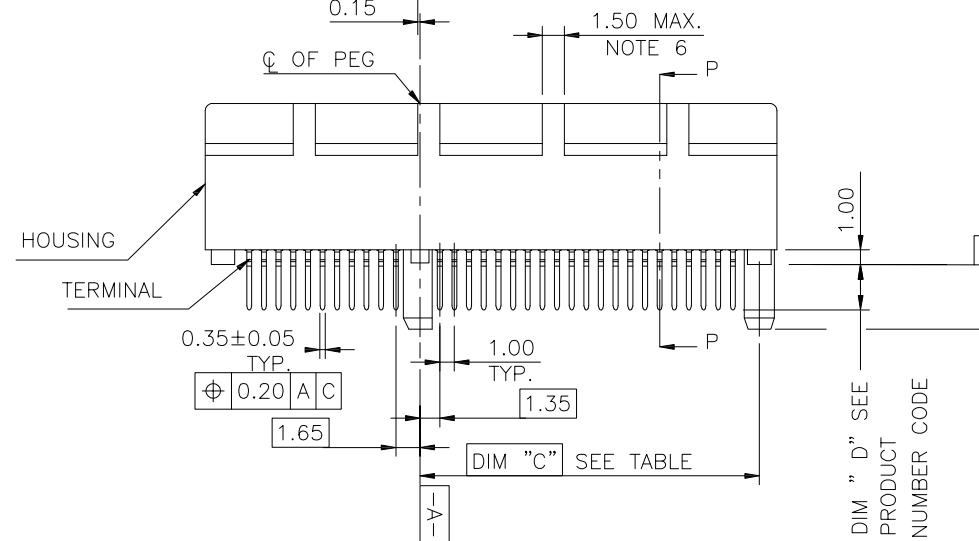
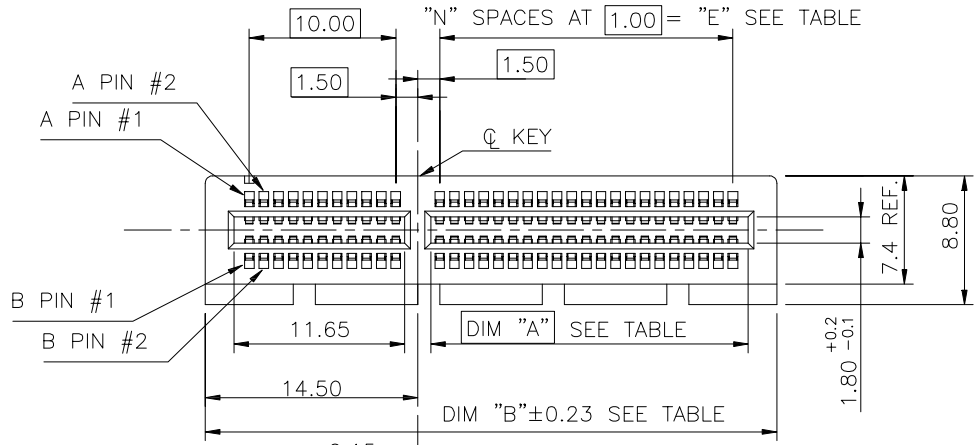


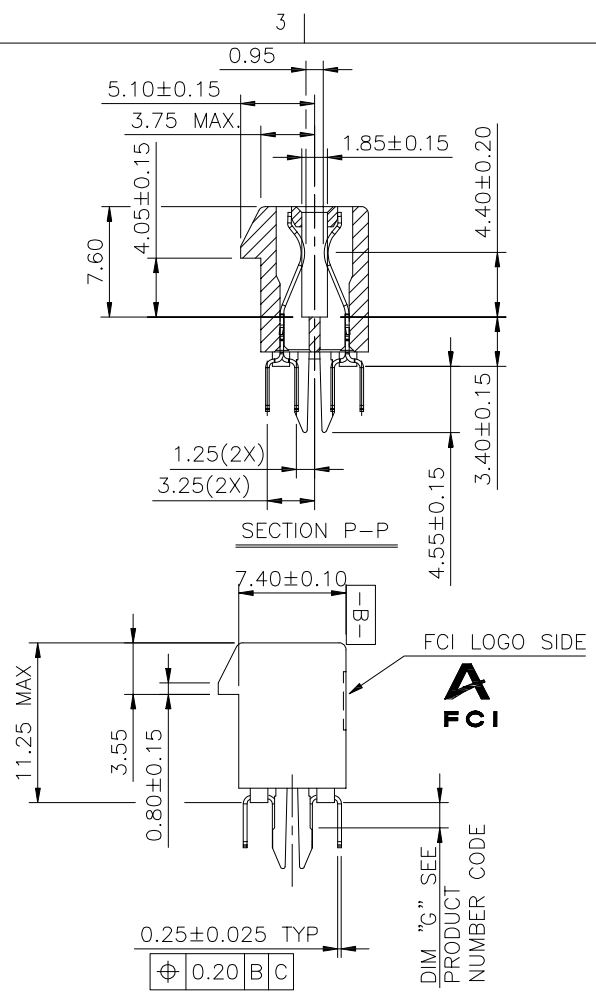
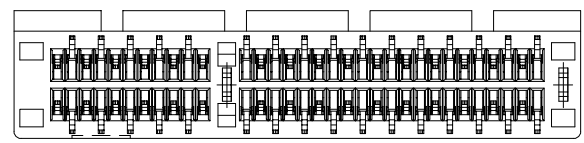
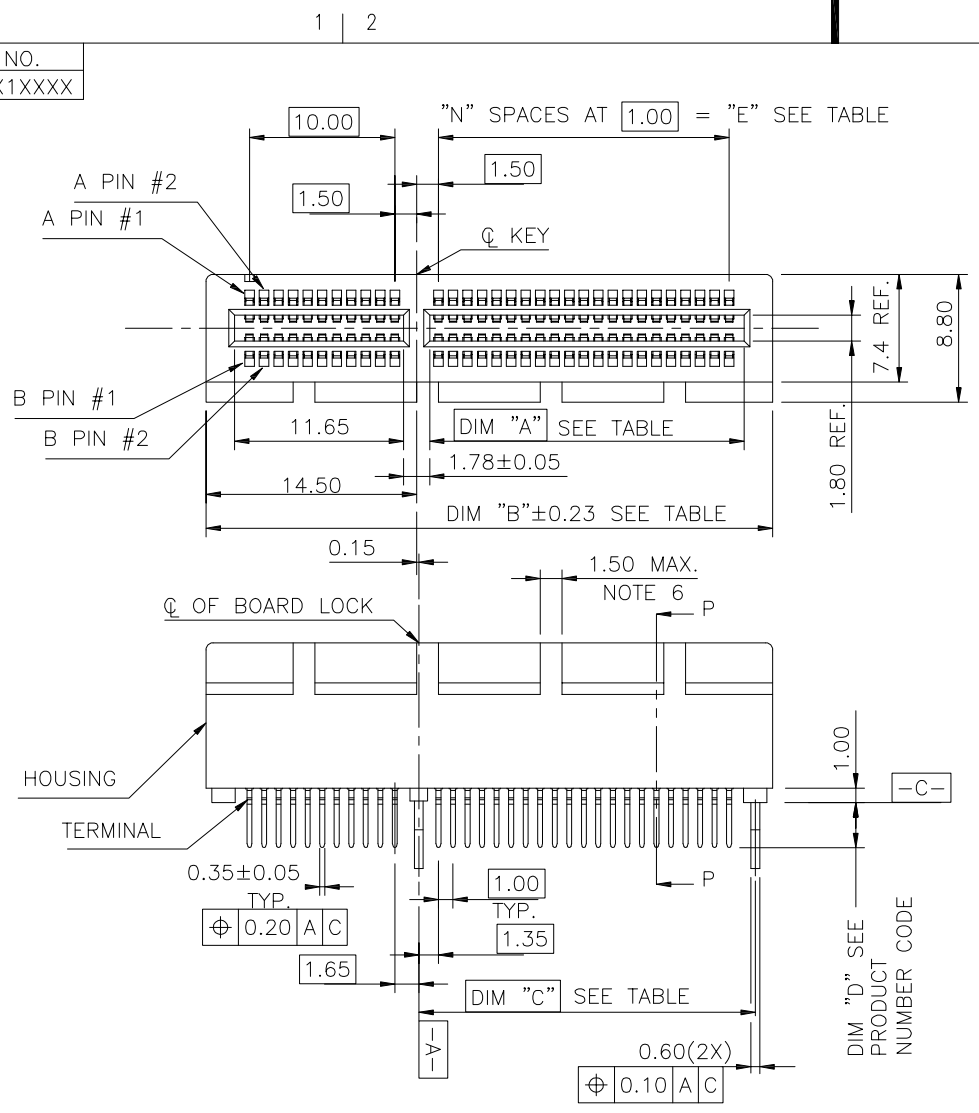
PRODUCT NO.
10018784-X0XXXX



CONFIDENTIAL


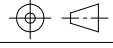
mat'l. code				tolerances unless otherwise specified			CUSTOMER COPY		FCI www.fciconnect.com		
ltr	ecn no	dr	date	linear	.X ± 0.30		projection	title			
M	T05-0124	M W	06/07/05		.XX ± 0.20			PCI EXPRESS GEN3 CARD EDGE ASSY			
N	T05-0153	M W	07/12/05		.XXX ± 0.10						
P	T05-0208	M W	09/15/05	angles	0° ±2°		MM	product family		code	
R	T06-0206	R C	12/01/06	dr	STONE LI	05/27/15		EDGE CARD		TWN	
S	ELX-DG-2161-1	S T	05/27/15	enrg	STONE LI	05/27/15		size dwg no		sheet	
				chr	/	/	scale	A4		10018784	
				appd	PM ZHENG	05/27/15		2:1		1 of 6	
sheet index	revision sheet	S 1	S 2	S 3	S 4	S 5	S 6	cage code			
								22526			

PRODUCT NO.
10018784-X1XXXX

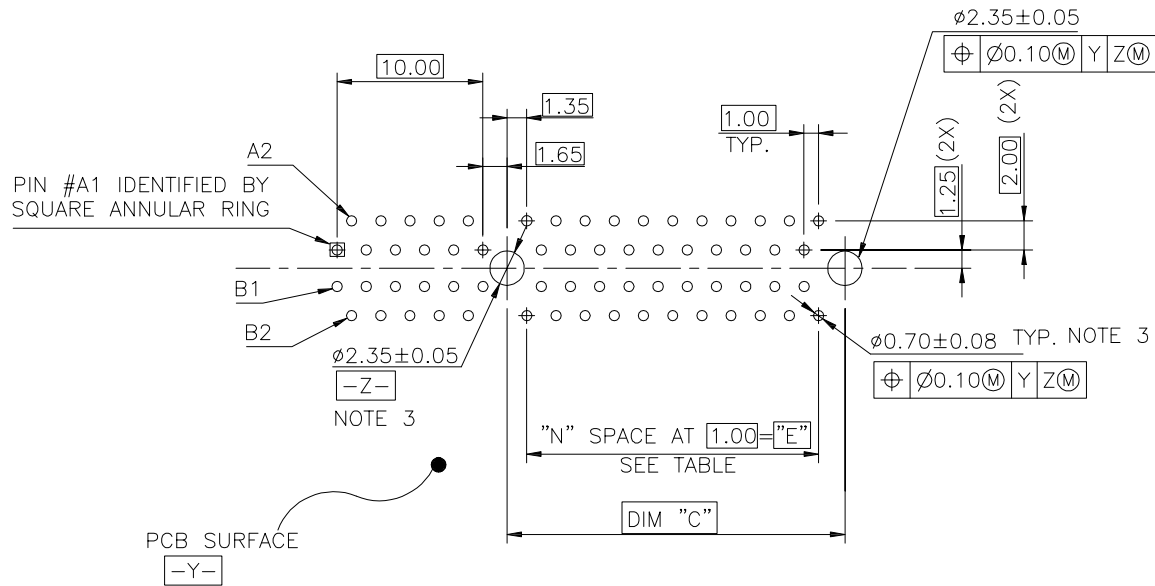


METAL BOARD LOCKS TYPE

CONFIDENTIAL

mat'l. code				tolerances unless otherwise specified		CUSTOMER COPY		 www.fciconnect.com	
ltr	ecn no	dr	date	linear	.X ± 0.30	projection	title		
					.XX ± 0.20		PCI EXPRESS GEN3 CARD EDGE ASSY		
				angles	.XXX ± 0.10	MM	product family	EDGE CARD	code
				dr	0° ±2°		size	dwg no	TWN
				enr	STONE LI 05/27/15	scale	A4 10018784		sheet
				chr	STONE LI 05/27/15	2:1			2 of
				appd	PM ZHENG 05/27/15				
sheet index	revision sheet								


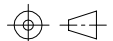
cage code
22526



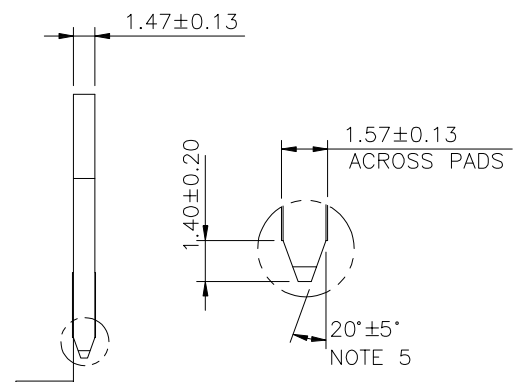
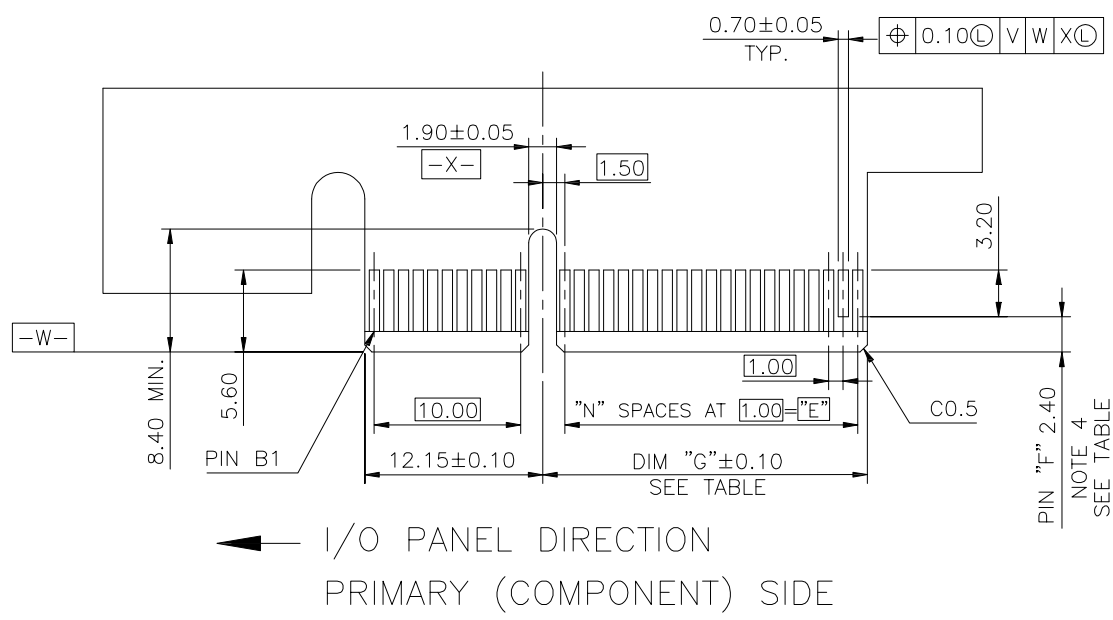
← I/O PANEL DIRECTION

RECOMMENDED FOOTPRINT

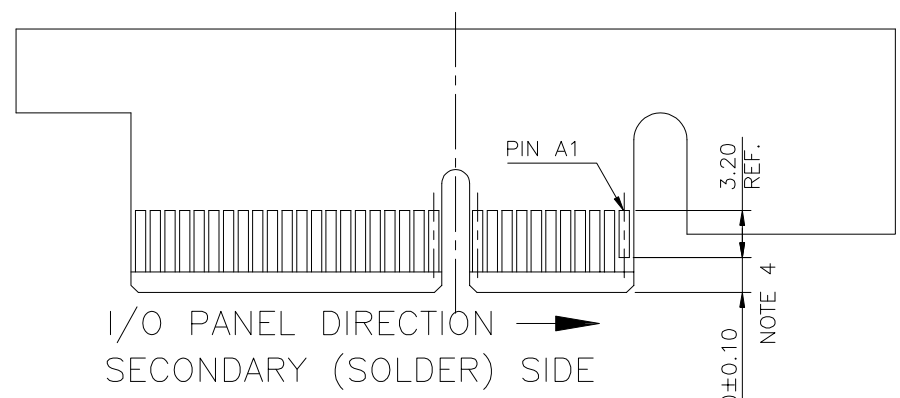
CONFIDENTIAL

mat'l. code				tolerances unless otherwise specified			CUSTOMER COPY		 www.fciconnect.com		
ltr	ecn no	dr	date	linear	.X ±		projection	title			
					.XX ±			PCI EXPRESS GEN3			
					.XXX ±			CARD EDGE ASS'Y			
				angles	0° ±2°		 MM	product family		code	
				dr	STONE LI	05/27/15		EDGE CARD		TWN	
				enr	STONE LI	05/27/15	size dwg no		sheet		
				chr	/	/	A4 10018784		3 of		
				appd	PM ZHENG	05/27/15	scale				
							2:1				
sheet index	revision sheet										

cage code
22526



SCALE 2:1



ADD-IN CARD EDGE-FINGER DIMENSIONS

#	POS	REF.	N	DIM "G"	"F"
36	6		6	8.15	B17
64	20		20	22.15	B31
98	37		37	39.15	B48
164	70		70	72.15	B81

PIN "F" SEE TABLE 2.40±0.10

CONFIDENTIAL

mat'l. code				tolerances unless otherwise specified		CUSTOMER COPY		 www.fciconnect.com	
ltr	ecn no	dr	date	linear	.X ±		projection	title	
					.XX ±			PCI EXPRESS GEN3	
					.XXX ±			CARD EDGE ASS'Y	
				angles	0° ±2°		 MM	product family	
				dr	STONE LI	05/27/15		EDGE CARD	
				enr	STONE LI	05/27/15		code	
				chr	/	/	size		TWN
				appd	PM ZHENG	05/27/15	dwg no		
sheet index		revision sheet		scale		A4		10018784	
				2:1				sheet 4 of	

cage code 22526

NOTES:

1.MATERIAL:

HOUSING: NYLON, GLASS FILLED UL94V-0 RATE, SUITABLE FOR WAVE SOLDERING.

TERMINAL: COPPER ALLOY

PLATING: 50u" NICKEL UNDERPLATE ALL OVER CONTACT AREA PLATING - SEE PRODUCT NUMBER CODE SOLDER TAIL: TIN/LEAD (90/10) - SEE PRODUCT NUMBER CODE 100u" MIN. OVER 50u" NICKEL

METAL BOARD LOCKS: COPPER ALLOY FINISH: 100u" TIN/LEAD (90/10) OVER 50u" NICKEL UNDERPLATE SEE PRODUCT NUMBER CODE

2.PRODUCT SPECIFICATION: GS-12-233

③THE HORIZONTAL AXIS FOR THE HOLE PATTERN IS ESTABLISHED BY A LINE THROUGH THE CENTER OF THE TWO Ø2.35 HOLES. THE VERTICAL AXIS IS 90° TO THE HORIZONTAL AXIS, THROUGH THE CENTER OF DATUM Z.

④NO TIE BAR PERMITTED FROM CARD EDGE TO LEADING EDGE OF PAD FOR PINS A1 AND PIN NUMBERS "F".

⑤CHAMFER EDGES MUST BE FREE OF CUTTING BURRS.

⑥FREQUENCY & LOCATION AT SUPPLIER DISCRETION. RIDGE MAY BE CONTINUOUS WITH NO BREAKS.

7.RoHS COMPATIBLE PRODUCT SPECIFICATIONS

a - PLATING:

- "LF" MEANS THE PRODUCT IS LEAD-FREE, 2um MINIMUM MATTE TIN OVER 1.27um MINIMUM NICKEL UNDERPLATE.

b - MANUFACTURING PROCESS COMPATIBILITY

- THE HOUSING WILL WITHSTAND EXPOSURE TO 260°C±5°C SOLDER BATH TEMPERATURE FOR 5 SECONDS IN A WAVE SOLDER APPLICATION WITH A 1.6mm MIN THICK CIRCUIT BOARD. - THE HOUSING WILL WITHSTAND EXPOSURE TO 240°C±5°C SOLDER BATH TEMPERATURE FOR 5 SECONDS IN A WAVE SOLDER APPLICATION WITH A 1.6mm MIN THICK CIRCUIT BOARD.(For 10018784-X 0 X X X X(X X) options)

CONNECTOR	# POS REF.	N	DIM "A"	DIM "B"	DIM "C"	"E"
1 PORT	36	6	7.65	25.00	9.15	6.00
4 PORT	64	20	21.65	39.00	23.15	20.00
8 PORT	98	37	38.65	56.00	40.15	37.00
16 PORT	164	70	71.65	89.00	73.15	70.00

PRODUCT NUMBER CODE
10018784-X X X X X X □ □

HOUSING COLOR OPTIONS

- 0-WHITE
- 1-BLACK

PEGS OPTIONS

- 0-PLASTIC PEGS
- 1-METAL BOARD LOCKS

TERMINAL PLATING OPTIONS

- 0-50u" Ni UNDERPLATE 30u" Au CONTACT AREA 100u" TIN TAIL AREA ----- COMPATIBLE RoHS
- 1-50u" Ni UNDERPLATE 15u" Au CONTACT AREA 100u" TIN TAIL AREA ----- COMPATIBLE RoHS
- 2-50u" Ni UNDERPLATE GOLD FLASH CONTACT AREA 100u" TIN TAIL AREA ----- COMPATIBLE RoHS
- 3-50u" Ni UNDERPLATE 30u" Au CONTACT AREA 100u" TIN/LEAD TAIL AREA ----- INCOMPLIANT RoHS
- 4-50u" Ni UNDERPLATE 15u" Au CONTACT AREA 100u" TIN/LEAD TAIL AREA ----- INCOMPLIANT RoHS
- 5-50u" Ni UNDERPLATE GOLD FLASH CONTACT AREA 100u" TIN/LEAD TAIL AREA ----- INCOMPLIANT RoHS

LEAD FREE OPTION

LEAVE BLANK FOR TERMINAL PLATING 3,4,5 "LF" FOR TERMINAL PLATING OPTION 0,1,2

POS OPTIONS

- 0-36
- 1-64
- 2-98
- 3-164


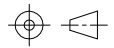

PACKAGING OPTIONS

T-TRAY PACKAGING M-TRAY PACKAGING & MYLAR TAPE FOR PICK-N-PLACE. SEE FIGURE 1

TAIL LENGTH OPTIONS

	DIM "D"	PCB THICKNESS	BOARD LOCKS DIM"G"
0	2.30 ±0.25 ±0.13	1.56±0.10	1.70±0.15
1	3.10 ±0.25 ±0.13	2.36±0.10	2.50±0.15

CONFIDENTIAL

mat'l. code				tolerances unless otherwise specified			CUSTOMER COPY		 www.fciconnect.com		
ltr	ecn no	dr	date	linear	.X ±		projection	title			
					.XX ±			PCI EXPRESS GEN3 CARD EDGE ASS'Y			
					.XXX ±						
				angles	0° ±2°		 MM	product family		code	
				dr	STONE LI	05/27/15		EDGE CARD		TWN	
				enr	STONE LI	05/27/15		size	dwg no	sheet	
				chr	/	/	scale	10018784		5 of	
				appd	PM ZHENG	05/27/15	A4				
sheet index	revision sheet										

cage code
22526

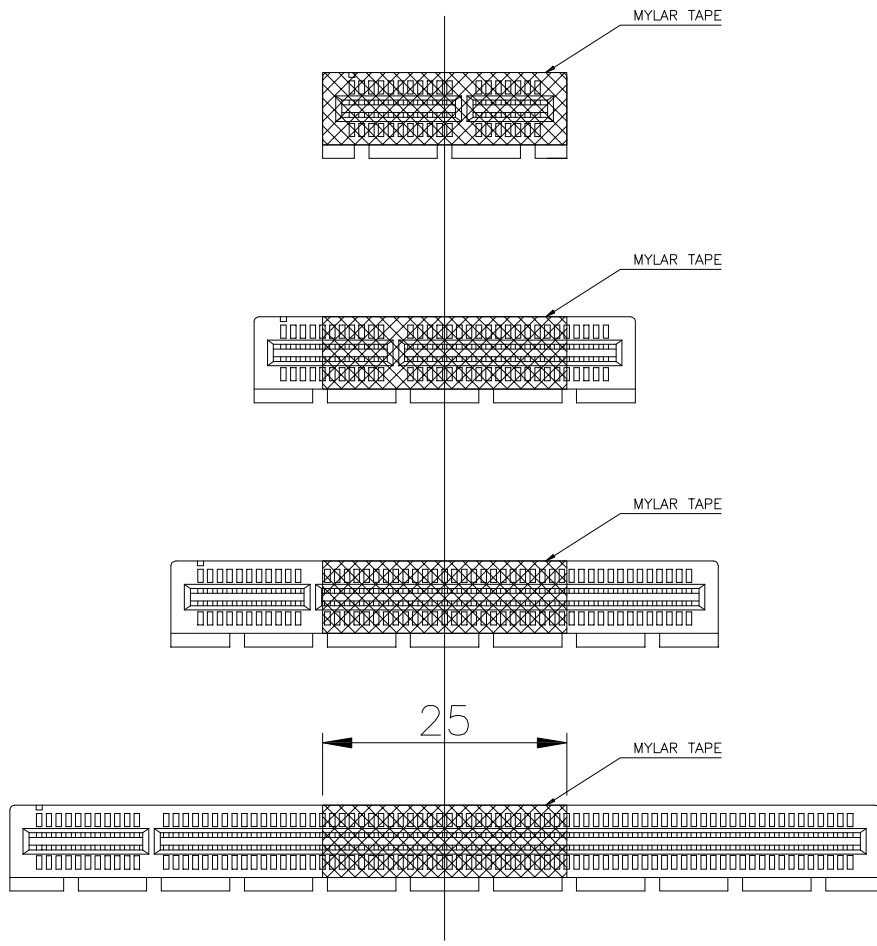


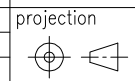
FIGURE 1

CONFIDENTIAL



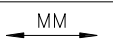
www.fciconnect.com

CUSTOMER COPY



title
PCI EXPRESS GEN3
CARD EDGE ASS'Y

mat'l. code				tolerances unless otherwise specified			projection	product family EDGE CARD	code TWN		
ltr	ecn no	dr	date	linear	.X ± 0.25					size A4	sheet 6 of
					.XX ± 0.13						
					.XXX ± 0.05						
				angles	0° ± 2°						
		dr	STONE LI	05/27/15			scale 1.5:1	10018784			
		enr	STONE LI	05/27/15							
		chr	/	/							
		appd	PM ZHENG	05/27/15							
sheet index	revision sheet										



product family
EDGE CARD

size
A4

10018784

A

A

B

B

cage code
22526